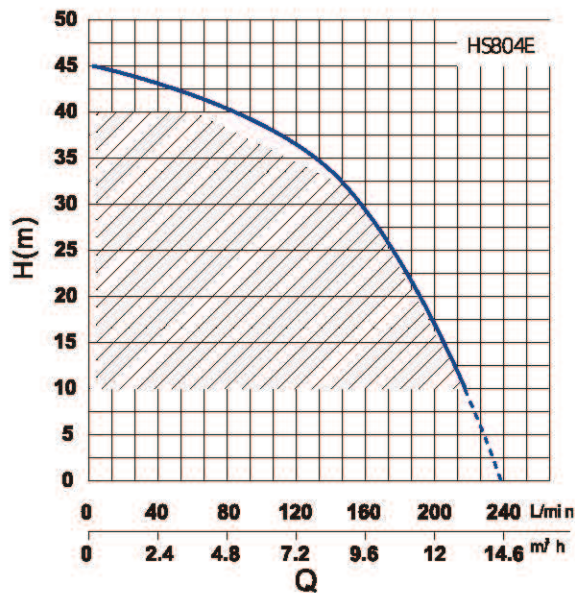
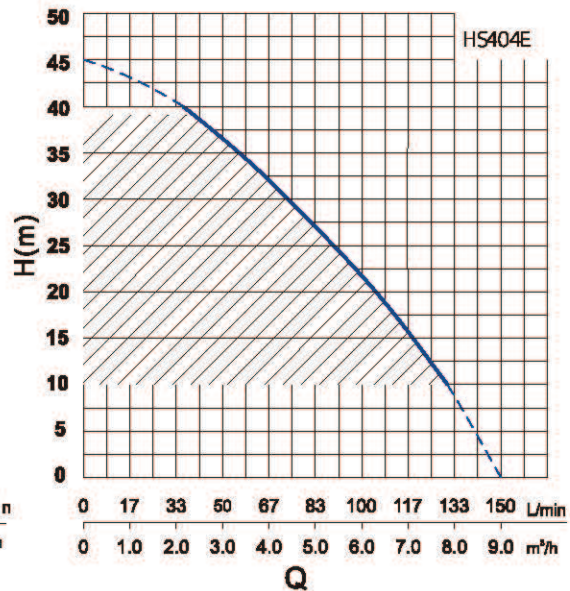
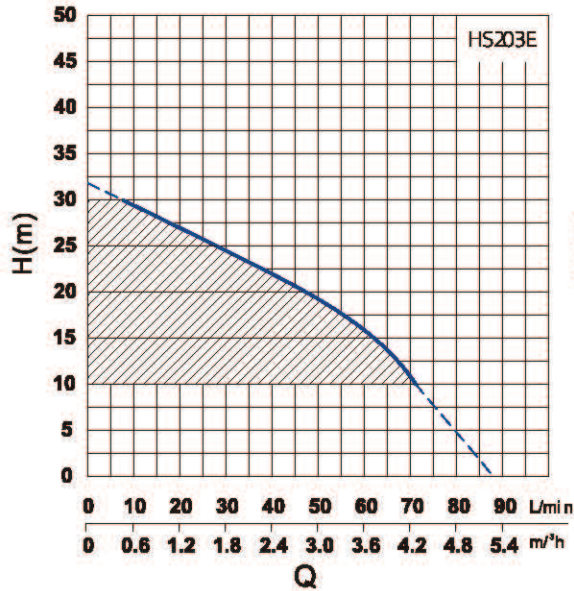
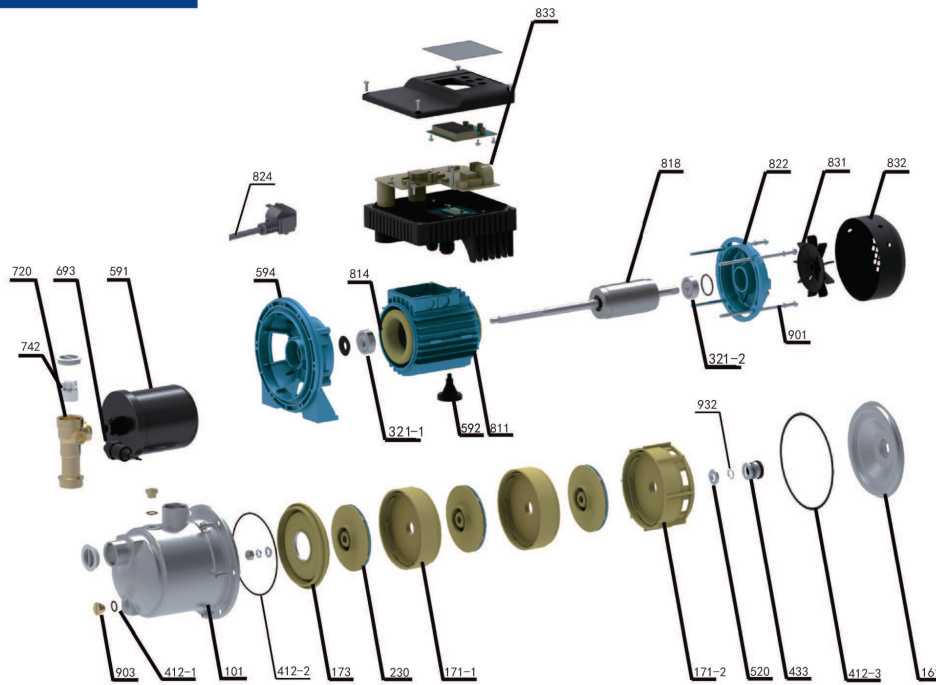


Performance Curve



Model	Power		Max. Flow (m³/h)	Max. Head (m)	Head Range (m)	Max. Suction (m)
	kW	HP				
HS203E	0.37	0.5	5	32	10~30	7
HS404E	0.75	1	9	45	10~40	7
HS804E	1.5	2	14	45	10~40	7

Components & Materials

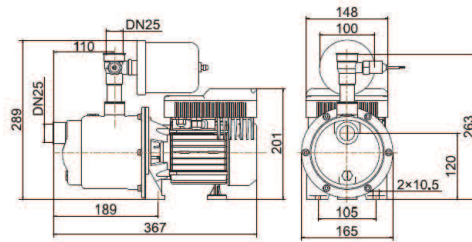


No.	Part name	No.	Part name	No.	Part name
173	Front guide vane cover plate	824	Cable (domestic)	742	Check valve
832	Fan cover	594	Connector	720	Four-way connector
811	Casing	591	Pressure tank	161	Pump cover
818	Rotor	693	Pressure sensor	433	Mechanical seal
412-1	O-ring	520	Shaft sleeve	903	Vent cock
900	Hexagon head bolt	592	Foot	814	Stator core with winding
833	PX203E variable frequency controller	101	Pump body	321-1	Deep groove ball bearing
230	Impeller	831	Fan\QB60	412-3	O-ring
171-1	Guide vane	321-2	Deep groove ball bearing	412-2	O-ring
171-2	Rear guide vane	822	Rear end cover	932	Circlip for shaft

Model	HS203E	HS404E	HS804E
Capacitor	/	/	/
End cap Bearing	6201-2RZ	6202-2RZ	6204-2RZ
Connection Part Bearing	6201-2RZ	6203-2RZ	6204-2RZ
Motor Shaft	420#	420#	45#+304#
Mechanical Seal	108-12/21&S:A(RC)&Static ring26	108-14/25&S:A(PC)Static ring28	108-16/25&S:A(PC)&Static ring30
Motor Case	Aluminum shell	Aluminum shell	Aluminum shell
Coupling	Aluminum	Aluminum	Aluminum
Pump Body	304#	304#	304#
Impeller	plastic	plastic	plastic

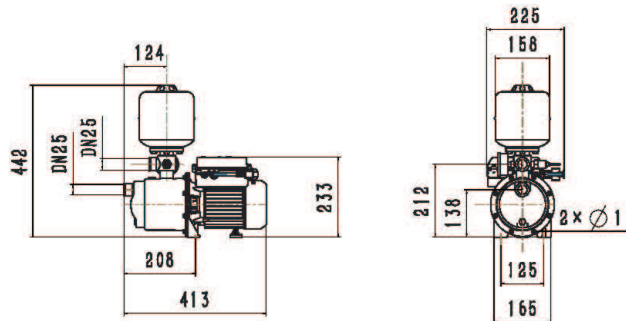
Packing Size & Weight

Model	Dim.(L×W×H) mm	N.W. (kg)	G.W. (kg)	20'Loading Qty. (pcs)
HS203E	390×195×320	9.0	9.5	1151



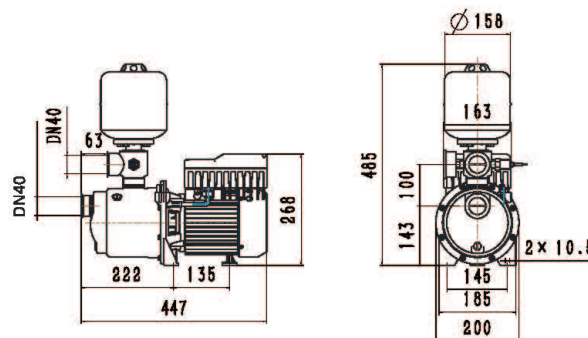
HS203E

Model	Dim.(L×W×H) mm	N.W. (kg)	G.W. (kg)	20'Loading Qty. (pcs)
HS404E	450×235×475	13.7	15.3	557



HS404E

Model	Dim.(L×W×H) mm	N.W. (kg)	G.W. (kg)	20'Loading Qty. (pcs)
HS804E	510×240×530	18.8	20.7	432



HS804E