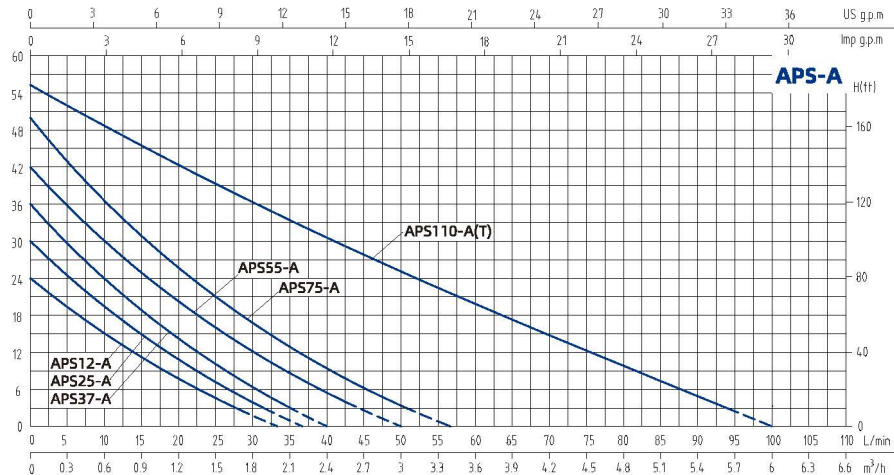


## Performance Curve

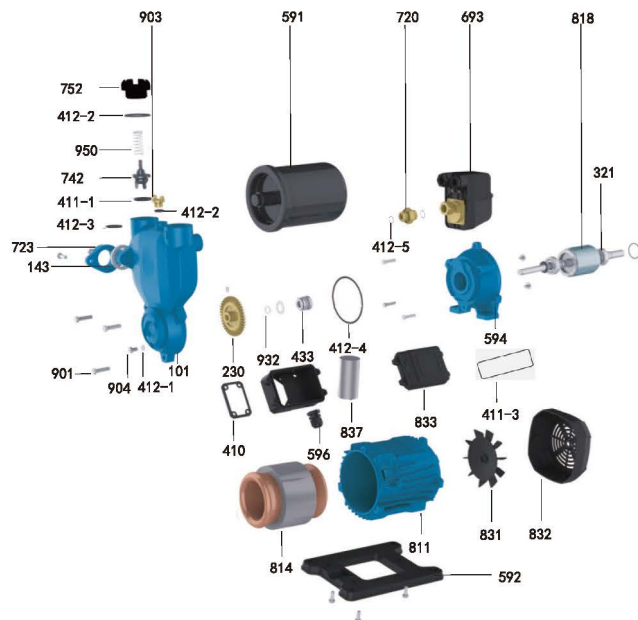


Model	Power		Max. Flow (m³/h)	Max. Head (m)	Head Range (m)	Max. Suction (m)
	kW	HP				
APS12-A	0.125	0.17	2	24	20~0	8
APS25-A	0.25	0.34	2.2	30	26~0	8
APS37-A	0.37	0.5	2.4	36	32~0	8
APS55-A	0.55	0.75	3	42	38~0	8
APS75-A	0.75	1	3.4	50	46~0	8
APS110-A	1.1	1.5	6	55	50~0	8
APS110-AT	1.1	1.5	6	55	50~0	8

Note: The cable length of single phase pump is 1.3m, Europe plug.

## Components & Materials

No.	Part name
752	Check valve seat
143	Filter assembly
594	Connector body
230	Impeller
592	Base
903	Vent cock
950	Spring
932	Circlip for shaft
814	Stator core with winding
693	Pressure switch assembly
831	Fan\QB60

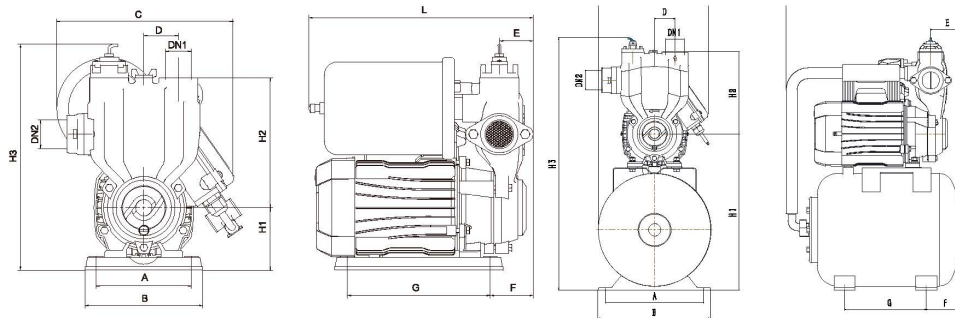


No.	Part name	No.	Part name	No.	Part name
723	Inlet pipe	433	Mechanical seal	411-1	Rubber washer
591	Pressure tank	720	Adapter	412-5	O-ring
811	Casing	410	Rubber gasket	412-3	O-ring
596	Cable lock	832	Fan cover	412-1	O-ring
101	Pump body	837	Running capacitor	412-4	O-ring
904	Slotted cheese head screw	411-2	Rubber washer	901	Hexagon head bolt
321	Deep groove ball bearing	411-3	Rubber washer	742	check valve
833	Junction box assembly	412-2	O-ring		

Model	APS12-A	APS25-A	APS37-A	APS55-A	APS75-A	APS110-A(T)
Capacitor(μF)	8μF\450V	10μF/450V	10μF/450V	12μF/450V	18μF/450V	30μF\450V
End cap Bearing	6201-2RZ	6201-2RZ	6201-2RZ	6202-2RZ	6202-2RZ	6203-2RZ
Connection Part Bearing	6201-2RZ	6201-2RZ	6201-2RZ	6202-2RZ	6202-2RZ	6203-2RZ
Motor Shaft	Steel 45#+304					
Mechanical Seal	108-12 S:A (PC)					108-14/25 S:A (PC)
	A: Graphite,B:Alumina ceramic,P:NBR,C:stainless steel(06Cr19Ni10)					
Motor Case	Aluminum					
Coupling	CastIron					
Pump Body	CastIron					
Impeller	Brass					

## Dimensions & Weight

Model	DN1	DN2	Dim.(mm)											N.W. (kg)
	Inch		A	B	C	D	E	F	G	L	H1	H2	H3	
APS12-A	3/4	3/4	110	136	204	46	39	49.5	165	259	72	150	245.5	7.8
APS25-A	1	1	110	136	204	40	39	49.5	165	259	72	150	245.5	8.5
APS37-A	1	1	110	136	204	40	39	49.5	165	259	72	150	245.5	8.8
APS55-A	1	1	132	160	212	50	39	41.5	190	268	84	170	285	11.4
APS75-A	1	1	132	160	212	50	39	41.5	190	268	84	170	285	13.1
APS110-A	1.5	1.5	145	210	254	49	50	54	205	330	96	196	127	20.5
APS110-AT	1.5	1.5	235	270	264	49	81	91	196	427	347	196	605	24.6



## Packing Size & Weight

Model	Dim.(L×W×H) mm	G.W. (kg)	20'Loading Qty. (pcs)
APS12-A	295×230×300	8.3	1600
APS25-A	295×230×300	9.0	1600
APS37-A	295×230×300	9.3	1600
APS55-A	315×245×325	12.1	1320
APS75-A	315×245×325	13.8	1320
APS110-A	365×280×380	21.9	720
APS110-AT	515×320×640	26.5	260

