

**ADELINO**<sup>®</sup>

— WATER PUMPS —

— BY —



**Adelino**  
**self-priming pump**

## Company Profile



Since more than 60 years the company WITA is developing and producing high quality products for heating systems in Germany. Our quality management is certificated according to DIN EN ISO 9001:2015.

Through uncompromising high quality standards, coupled with multiple application possibilities of our pumps, we are able to offer our customers an optimal solution for almost any application.

The Adelino Pumps by WITA are usable in the domestic, commercial and agricultural areas. Every day, the research and development department is working on new, innovative solutions to make the daily life easier for the skilled crafts in the future.



## Product Advantage

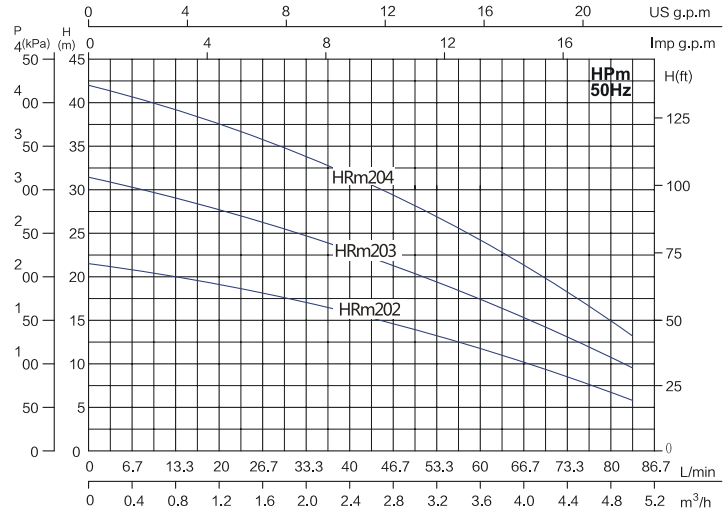
- Wide range of product series to meet various demands from domestic, commercial and agricultural areas
- High-end pumps with high efficiency and low energy consumption thanks to the advanced manufacturing equipments
- High cost-efficiency and perfect service around the globe



## Contents

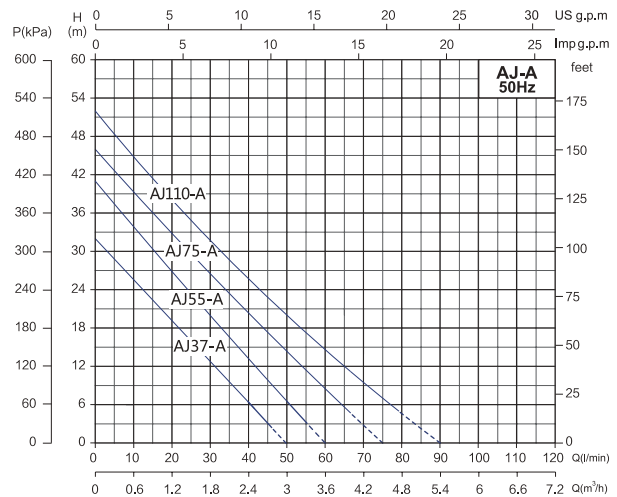
<u>Stainless Steel Multistage Centrifugal Pump HP(m)</u>	<u>4</u>	<u>6" Deep Well Pumps 6SE(m)</u>	<u>43 - 44</u>
<u>Jet pump AJ-A</u>	<u>4</u>	<u>6" Deep Well Pumps 6SS</u>	<u>45 - 46</u>
<u>Jet pump AJ-B(C)</u>	<u>5</u>	<u>Multi-stage Submersible Pumps NKm</u>	<u>47</u>
<u>Jet pump AJS-T</u>	<u>5</u>	<u>WQK Submersible Sewage Pump WQK</u>	<u>48</u>
<u>Centrifugal Pump ACm</u>	<u>6</u>	<u>WVS(D) Submersible Sewage Pump WVS(D)</u>	<u>48</u>
<u>Centrifugal Pump ACm-B(C)</u>	<u>6</u>	<u>WQ(D)-L1 Submersible Sewage Pump WQ(D)</u>	<u>49</u>
<u>Centrifugal Pump AC-B(C)</u>	<u>6</u>	<u>Peripheral Pumps AP</u>	<u>52 - 55</u>
<u>Standard Centrifugal Pump AC-F</u>	<u>7</u>	<u>Self-Priming Peripheral Pumps APS</u>	<u>56 - 59</u>
<u>Cast iron Multistage Centrifugal Pump HC505</u>	<u>7</u>	<u>Automatic Self-Priming Peripheral Pumps APS-A</u>	<u>60 - 63</u>
<u>Peripheral Pump AP</u>	<u>8</u>	<u>Automatic Self-Priming Peripheral Pumps APS-B</u>	<u>64 - 67</u>
<u>Self-Priming Peripheral Pump APS</u>	<u>8</u>	<u>Automatic Self-Priming Peripheral Pumps APS-AF</u>	<u>68 - 71</u>
<u>Automatic Self-Priming Peripheral Pump APS-A</u>	<u>9</u>	<u>Automatic Self-Priming Peripheral Pumps APS-C</u>	<u>72 - 75</u>
<u>Automatic Self-Priming Peripheral Pump APS-B</u>	<u>9</u>	<u>Centrifugal Pumps ACm</u>	<u>76 - 79</u>
<u>Automatic Self-Priming Peripheral Pump APS-C</u>	<u>10</u>	<u>Centrifugal Pumps AC(m)</u>	<u>80 - 84</u>
<u>Stainless Steel Multistage Centrifugal Pump HS(m)</u>	<u>10</u>	<u>Centrifugal Pumps 2SGP(m)</u>	<u>85 - 88</u>
<u>3" Deep Well Pumps 3SAm</u>	<u>11</u>	<u>Centrifugal Pumps AC-(A)F</u>	<u>89 - 92</u>
<u>3" Deep Well Pumps 3SAm-P</u>	<u>12</u>	<u>Centrifugal Pumps HS(m)</u>	<u>93 - 96</u>
<u>3" Deep Well Pumps 3SE(m)-T</u>	<u>13</u>	<u>Centrifugal Pumps HC</u>	<u>97 - 100</u>
<u>3.5" Deep Well Pumps 3.5SE(m)-T</u>	<u>14</u>	<u>Self-Priming JET Pumps AJ</u>	<u>101 - 105</u>
<u>4" Deep Well Pumps 4SAm</u>	<u>15 - 22</u>	<u>Self-Priming JET Pumps AJ-A</u>	<u>106 - 109</u>
<u>4" Deep Well Pumps 4SA(m)-P</u>	<u>23 - 30</u>	<u>Self-Priming JET Pumps AJS</u>	<u>110 - 114</u>
<u>4" Deep Well Pumps 4SE(m)</u>	<u>31 - 38</u>	<u>Self-Priming JET Pumps PJ-M</u>	<u>115 - 118</u>
<u>4" Deep Well Pumps 4SS(m)</u>	<u>39 - 42</u>	<u>Self-Priming JET Pumps PTB</u>	<u>119 - 122</u>

## Stainless Steel Multistage Centrifugal Pump HP(m)



Model	Power		Max. Flow (m³/h)	Max. Head (m)	Head Range (m)	Max. Suction (m)	Inlet (Inch)	Outlet (Inch)
	kW	HP						
HPm202	0.31	0.4	5.4	22	4-22	7	1	1
HPm203	0.37	0.5	5.4	34	4.5-34	7	1	1
HPm204	0.55	0.75	5.4	45	5-45	7	1	1

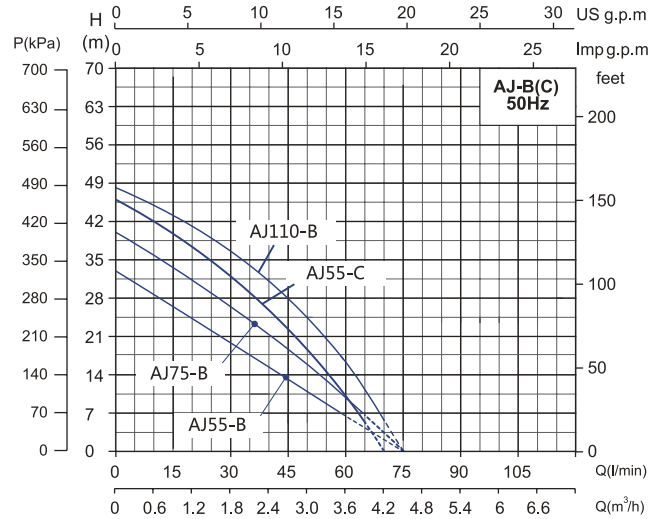
## Jet pump AJ-A



Model	Power		Max. Flow (m³/h)	Max. Head (m)	Head Range (m)	Max. Suction (m)	Inlet (Inch)	Outlet (Inch)
	kW	HP						
Single-Phase 230V								
AJ37-A	0.37	0.5	3	32	2.5-32	8	1	1
AJ55-A	0.55	0.75	3.6	41	3-41	9	1	1
AJ75-A	0.75	1	4.5	46	4.5-46	9	1	1
AJ110-A	1.1	1.5	5.4	52	5-52	9	1	1

Note: The length of single phase pump cable is 1.3m, Europe plug; three-phase pump no plug.

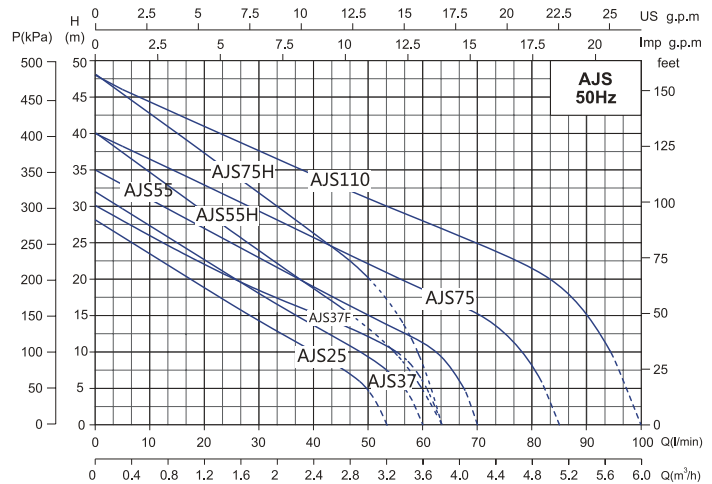
## Jet pump AJ-B(C)



Model	Power		Max. Flow (m <sup>3</sup> /h)	Max. Head (m)	Head Range (m)	Max. Suction (m)	Inlet / Outlet	
	Single-Phase 230V kW	HP					(Inch)	(Inch)
AJ55-B	0.55	0.75	4.5	32	7-32	9	1	1
AJ75-B	0.75	1	4.5	40	7-40	9	1	1
AJ110-B	1.1	1.5	4.5	48	6-48	9	1	1
AJ55-C	0.75	1	4.2	46	6-46	9	1	1

Note: The cable length of single phase pump AJ55-C are 0.3m, AJ55-B-AJ110-B's are 1.3m, Europe plug;

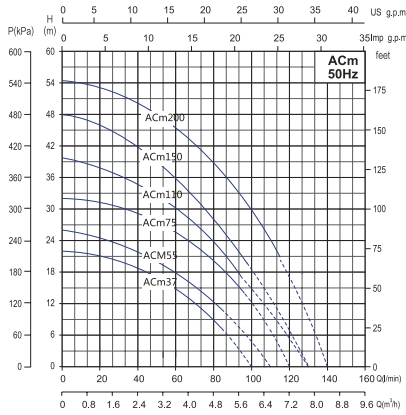
## Jet pump AJS-T



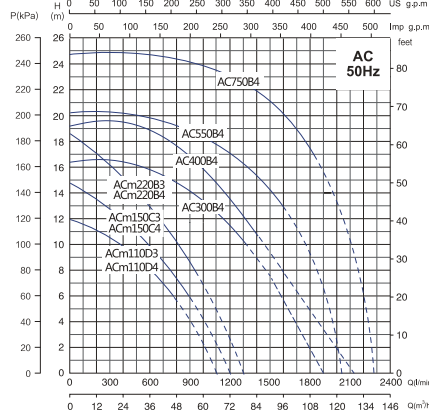
Model		Power		Max. Flow (m <sup>3</sup> /h)	Max. Head (m)	Head Range (m)	Max. Suction (m)	Inlet / Outlet	
Single-Phase 230V	Three-Phase 400V	kW	HP					(Inch)	(Inch)
AJS25	AJS25T	0.25	0.37	3.2	28	4-28	8	1	1
AJS37	AJS37T	0.37	0.5	3.6	32	5-32	8	1	1
AJS55	AJS55T	0.55	0.75	4.2	35	4-35	9	1	1
AJS75	AJS75T	0.75	1	5.1	40	5.5-40	9	1	1
AJS110	AJS110T	1.1	1.5	6	48	9-48	9	1	1
AJS37F	AJS37FT	0.37	0.5	3.8	30	2-30	7	1	1
AJS55H	AJS55HT	0.55	0.75	3.8	40	2-40	9	1	1
AJS75H	AJS75HT	0.75	1	3.8	48	2-48	9	1	1

Note: No plug 0.3m

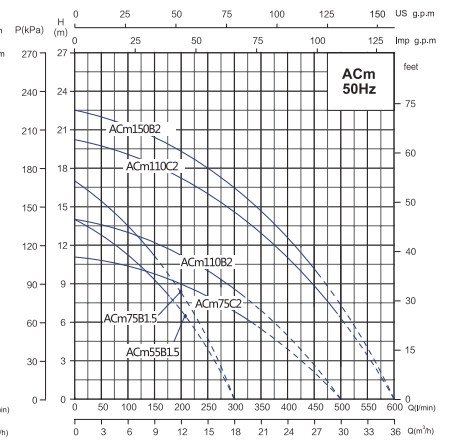
**Centrifugal Pump ACm**



**Centrifugal Pump ACm-B(C)**

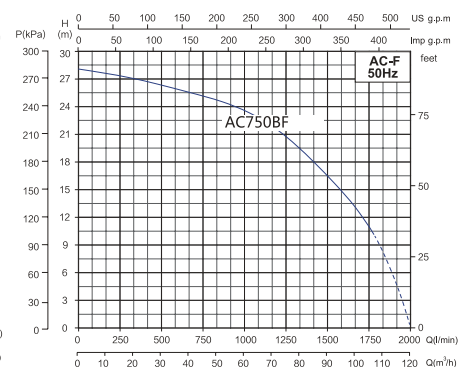
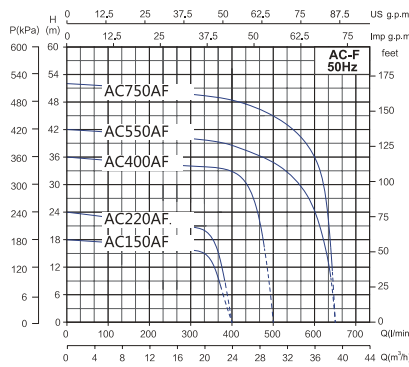
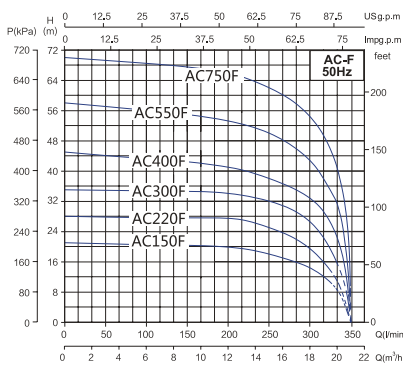


**Centrifugal Pump AC-B(C)**



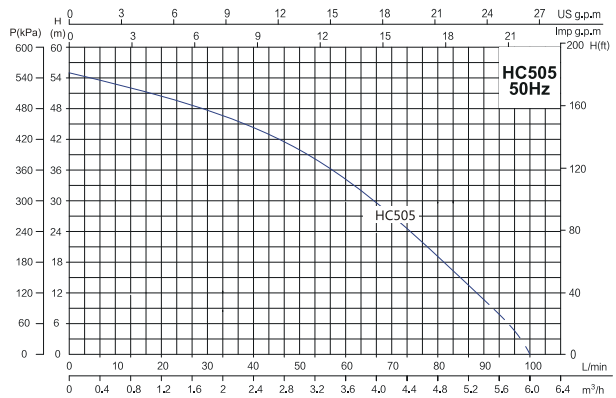
Model		Power		Max. Flow	Max. Head	Head Range	Max. Suction	Inlet	Outlet
Single-Phase 230V	Three-Phase 400V	kW	HP	(m <sup>3</sup> /h)	(m)	(m)	(m)	(Inch)	
ACm37	-	0.37	0.5	6	22	8-22	7	1	1
ACm55	-	0.55	0.75	6.6	26	11-26	7	1	1
ACm75	-	0.75	1	7.2	32	14-32	7	1	1
ACm110	-	1.1	1.5	7.8	40	17-40	7	1.25	1
ACm150	-	1.5	2	7.8	48	20-48	7	1	1
ACm200	-	2.2	3	8.4	55	20-55	7	1	1
ACm55B1.5	-	0.55	0.75	18	14	8-14	7	1.5	1.5
ACm75B1.5	-	0.75	1	18	17	11-17	7	1.5	1.5
ACm75C2	-	0.75	1	30	11	6-11	7	2	2
ACm110B2	-	1.1	1.5	30	14	8-14	7	2	2
ACm110C2	-	1.1	1.5	36	20.2	7-20.2	7	2	2
ACm110D3	-	1.1	1.5	66	11.9	6-11.9	7	3	3
ACm110D4	-	1.1	1.5	66	11.9	6-11.9	7	4	4
ACm150B2	AC150B2	1.5	2	36	22.5	10-22.5	7	2	2
ACm150C3	-	1.5	2	72	14.7	6-14.7	7	3	3
ACm150C4	-	1.5	2	72	14.7	6-14.7	7	4	4
ACm220B3	AC220B3	2.2	3	78	18.5	8-18.5	7	3	3
ACm220B4	AC220B4	2.2	3	78	18.5	8-18.5	7	4	4
-	AC300B4	3	4	114	16.5	10-16.5	7	4	4
-	AC400B4	4	5.5	129	19.5	11-19.5	7	4	4
-	AC550B4	5.5	7.5	125	20	13-20	7	4	4
-	AC750B4	7.5	10	140	24.5	17-24.5	7	4	4

## Standard Centrifugal Pump AC-F



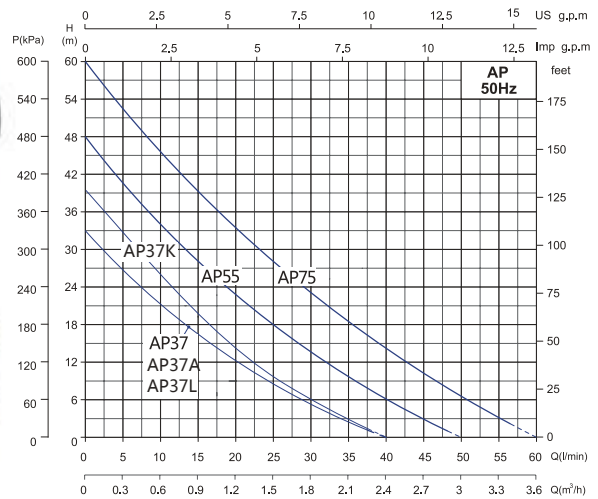
Model	Power		Max. Flow (m³/h)	Max. Head (m)	Head Range (m)	Max. Suction (m)	Inlet (Inch)	Outlet (Inch)
	Three-Phase 400V	kW / HP						
AC150F	1.5 / 2	2	21	21	10-21	8	2	1.25
AC220F	2.2 / 3	3	21	28	14-28	8	2	1.25
AC300F	3 / 4	4	21	35	16-35	8	2	1.25
AC400F	4 / 5.5	5.5	21	45	7-45	8	2	1.25
AC550F	5.5 / 7.5	7.5	21	58	8-58	8	2	1.25
AC750F	7.5 / 10	10	21	70	10-70	8	2	1.25
AC150AF	1.5 / 2	2	24	18	7-18	8	2.5	1.5
AC220AF	2.2 / 3	3	24	24	9-24	8	2.5	1.5
AC400AF	4 / 5.5	5.5	30	36	17-36	8	2.5	1.5
AC550AF	5.5 / 7.5	7.5	39	42	10-42	8	2.5	1.5
AC750AF	7.5 / 10	10	39	52	11-52	8	2.5	1.5
AC750BF	7.5 / 10	10	120	28	10-28	8	4	3

## Cast iron Multistage Centrifugal Pump HC505



Model	Power		Max. Flow (m³/h)	Max. Head (m)	Head Range (m)	Max. Suction (m)	Inlet (Inch)	Outlet (Inch)
	kW	HP						
HC505	0.9	1.2	5.4	55	40	7	1	1

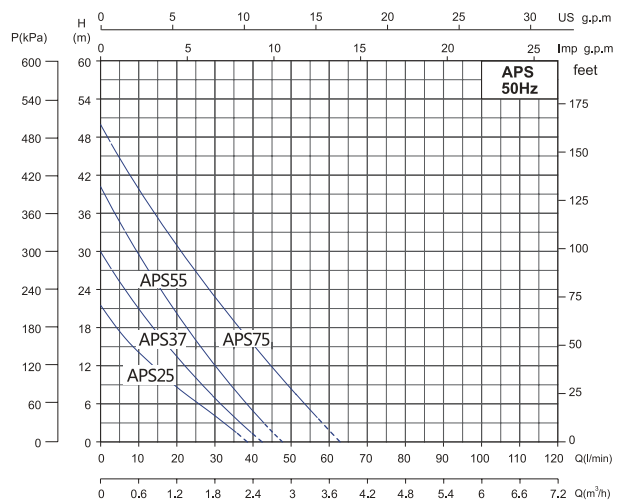
## Peripheral Pump AP



Model	Power		Max. Flow (m³/h)	Max. Head (m)	Head Range (m)	Max. Suction (m)	Inlet (Inch)	Outlet (Inch)
	Single-Phase 230V kW	HP						
AP37A	0.37	0.5	2.4	33	1-27	8	1	1
AP37L	0.37	0.5	2.4	40	1.5-30	8	1	1
AP37K	0.37	0.5	2.4	33	1-27	8	1	1
AP37	0.37	0.5	2.4	33	1-27	8	1	1
AP55	0.55	0.75	3.0	48	1.5-44	8	1	1
AP75	0.75	1.0	3.6	60	2.5-53	8	1	1

Note: The length of cable is 0.3m, no plug.

## Self-Priming Peripheral Pump APS

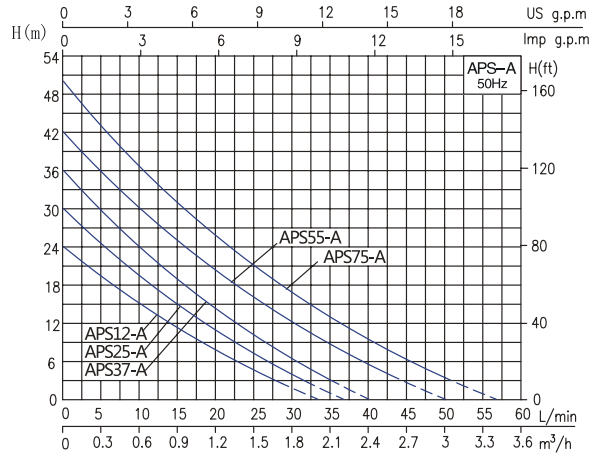


Model	Power		Max. Flow (m³/h)	Max. Head (m)	Head Range (m)	Max. Suction (m)	Inlet (Inch)	Outlet (Inch)
	Single-Phase 230V kW	HP						
APS25	0.125	0.17	2.3	20	0-20	8	1	1
APS37	0.37	0.5	2.7	33	0-27	8	1	1
APS55	0.55	0.75	3.3	40	0-33	8	1	1
APS75	0.75	1.0	3.6	60	0-47	8	1	1

Note: The length of single phase pump cable is 1.3m, Europe plug; three-phase pump no plug.



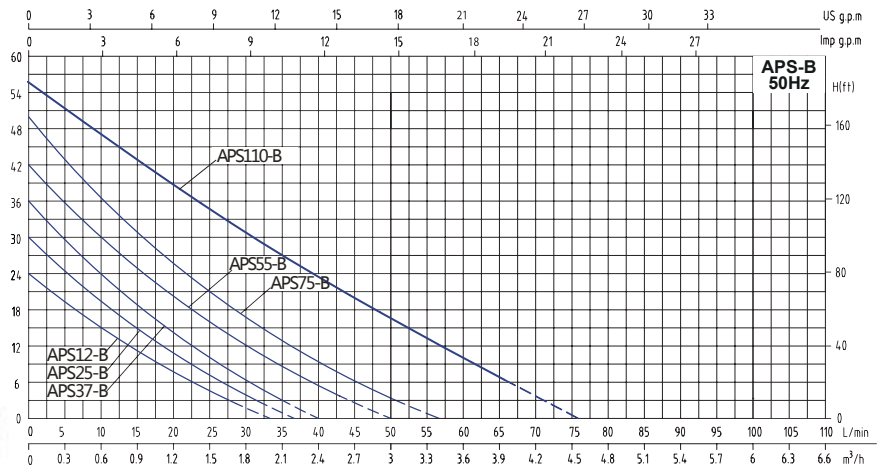
### Automatic Self-Priming Peripheral Pump APS-A



Model	Power		Max. Flow (m³/h)	Max. Head (m)	Head Range (m)	Max. Suction (m)	Inlet (Inch)	Outlet (Inch)
	kW	HP						
APS12-A	0.125	0.17	2	24	0-20	8	0.75	0.75
APS25-A	0.25	0.34	2.2	30	0-26	8	1	1
APS37-A	0.37	0.5	2.4	36	0-32	8	1	1
APS55-A	0.55	0.75	3	42	0-38	8	1	1
APS75-A	0.75	1	3.4	50	0-46	8	1	1

Note: The cable length of single phase pump is 1.3m, Europe plug.

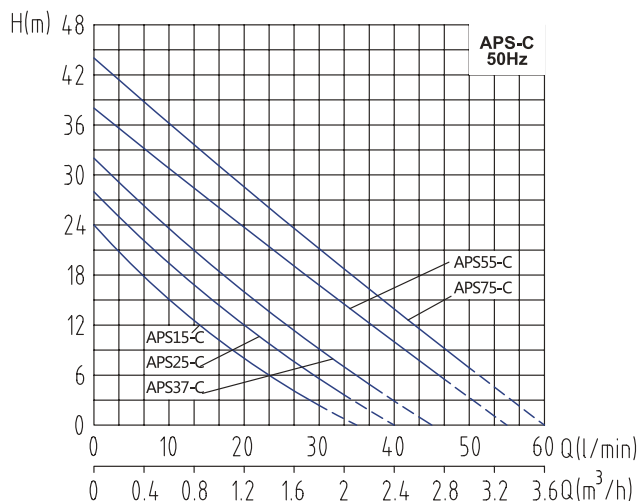
### Automatic Self-Priming Peripheral Pump APS-B



Model	Power		Max. Flow (m³/h)	Max. Head (m)	Head Range (m)	Max. Suction (m)	Inlet (Inch)	Outlet (Inch)
	kW	HP						
APS12-B	0.125	0.17	2	24	1-20	8	0.75	0.75
APS25-B	0.25	0.34	2.2	30	1-26	8	1	1
APS37-B	0.37	0.5	2.4	36	1-32	8	1	1
APS55-B	0.55	0.75	3	42	1.5-38	8	1	1
APS75-B	0.75	1	3.4	50	1.5-46	8	1	1
APS110-B	1.1	1.5	6	55	1.5-51	8	1.5	1.5

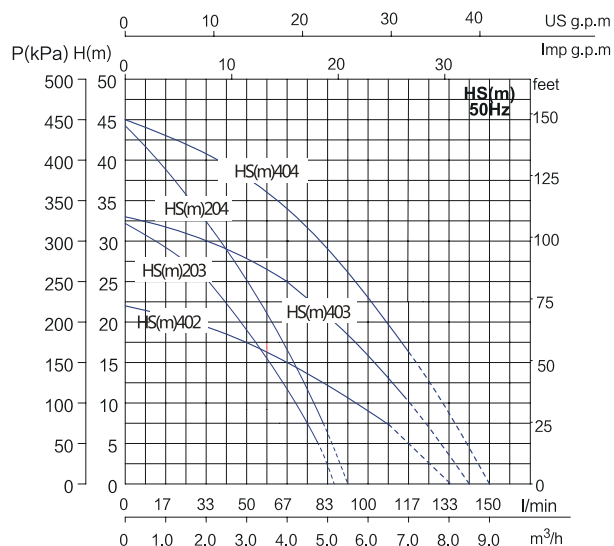
Note: The cable length of single phase pump is 1.3m, Europe plug.

### Automatic Self-Priming Peripheral Pump APS-C



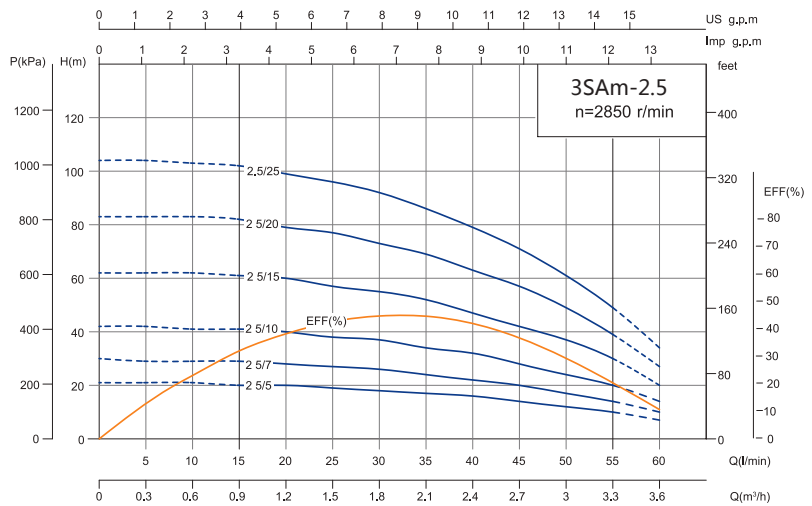
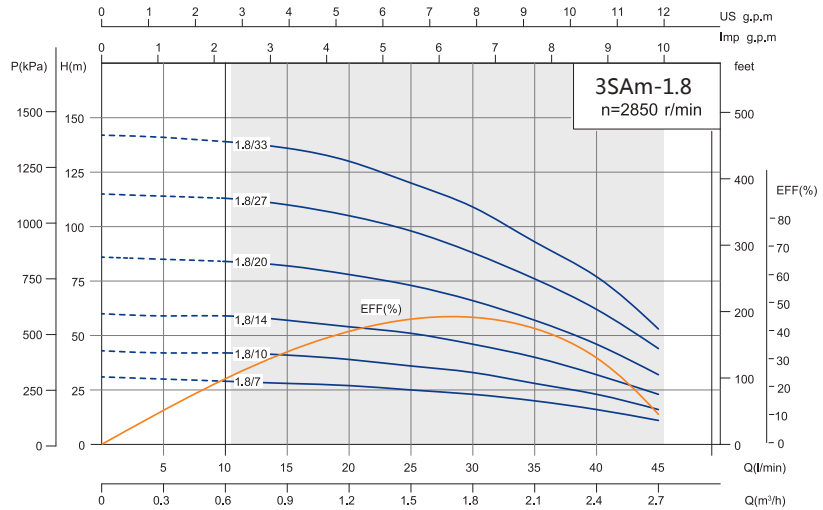
Model	Power		Max. Flow (m³/h)	Max. Head (m)	Head Range (m)	Max. Suction (m)	Inlet (Inch)	Outlet (Inch)
	Single-Phase 230V	kW / HP						
APS15-C	0.125	0.17	2.1	24	0-18	6	1	1
APS25-C	0.25	0.34	2.4	28	0-23	6	1	1
APS37-C	0.37	0.5	2.7	32	0-27	6	1	1
APS55-C	0.55	0.75	3.3	38	0-35	6	1	1
APS75-C	0.75	1	3.6	44	0-38	6	1	1

### Stainless Steel Multistage Centrifugal Pump HS(m)



Model	Single-Phase 230V	Three-Phase 400V	Power		Max. Flow (m³/h)	Max. Head (m)	Head Range (m)	Max. Suction (m)	Inlet (Inch)	Outlet (Inch)
			kW	HP						
HSm203		HSm203	0.46	0.6	5	32	4-32	7	1	1
HSm204		HSm204	0.55	0.75	5.4	44	4-44	7	1	1
HSm402		HSm402	0.46	0.6	8	22	4-22	7	1	1
HSm403		HSm403	0.55	0.75	8.4	33.5	4-33.5	7	1	1
HSm404		HSm404	0.75	1	9	45	4-45	7	1	1

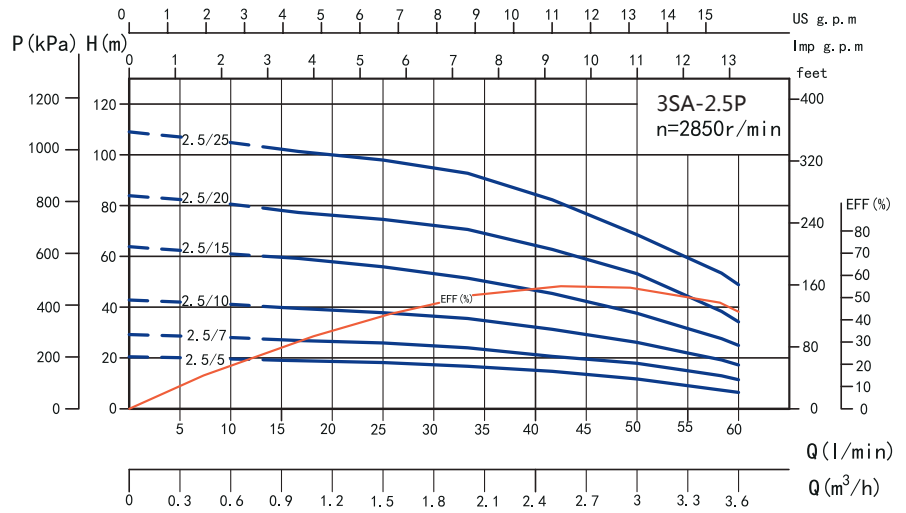
### 3" Deep Well Pumps 3SAm



Model	Power		Flow											Head Range (m)	Pipe Connection (DN) Inch
	kW	HP	m³/h l/min	0	0.3	0.6	0.9	1.2	1.5	1.8	2.1	2.4	2.7		
Single-Phase 230V				0	5	10	15	20	25	30	35	40	45		
3SAm1.8/7	0.18	0.25	H (m)	30	30	29	29	27	25	23	20	16	11	29-11	1
3SAm1.8/10	0.25	0.33		43	42	42	41	39	36	33	28	23	16	42-16	
3SAm1.8/14	0.37	0.5		60	59	59	57	54	51	46	40	32	23	59-23	
3SAm1.8/20	0.55	0.75		86	85	84	82	78	73	66	57	46	32	84-32	
3SAm1.8/27	0.75	1		115	114	113	110	105	98	88	76	62	44	113-44	
3SAm1.8/33	1.1	1.5		142	141	139	136	130	120	109	93	77	53	139-5	

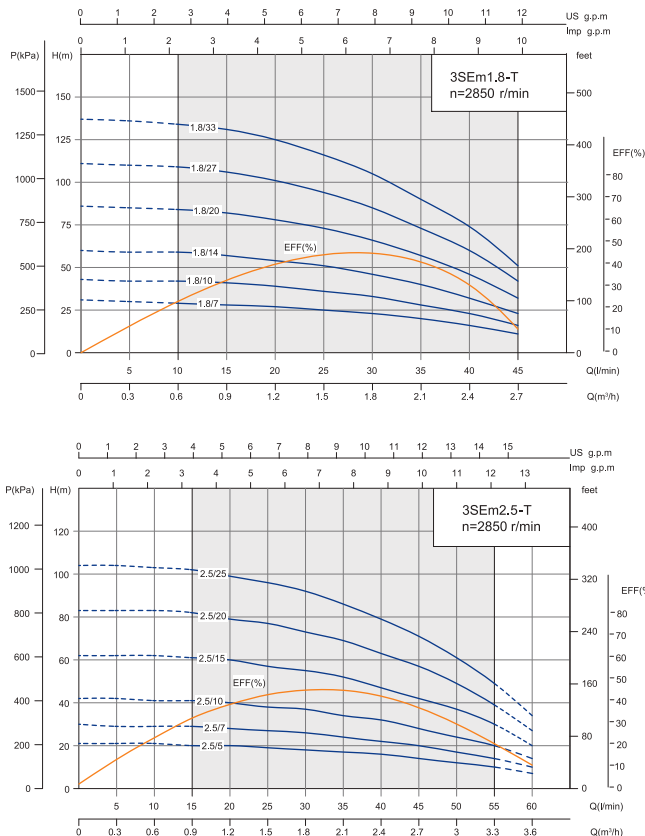
Model	Power		Flow													Head Range (m)	Pipe Connection (DN) Inch	
	kW	HP	m³/h l/min	0	0.3	0.6	0.9	1.2	1.5	1.8	2.1	2.4	2.7	3	3.3			3.6
Single-Phase 230V				0	5	10	15	20	25	30	35	40	45	50	55	60		
3SAm2.5/5	0.18	0.25	H (m)	21	21	21	20	20	19	18	17	16	14	12	10	7	20-10	1
3SAm2.5/7	0.25	0.33		30	29	29	29	28	27	26	24	22	20	17	14	10	29-14	
3SAm2.5/10	0.37	0.5		41	42	41	41	43	38	37	34	32	28	24	20	14	41-20	
3SAm2.5/15	0.55	0.75		62	62	62	61	60	57	55	52	47	42	37	30	20	61-60	
3SAm2.5/20	0.75	1		83	83	83	82	79	77	73	69	63	57	49	39	27	82-39	
3SAm2.5/25	1.1	1.5		104	104	103	102	99	96	92	86	79	71	61	49	34	102-49	

### 3" Deep Well Pumps 3SAm-P



Model	Power		Flow														Head Range (m)	Pipe Connection (DN) Inch
	kW	HP	m <sup>3</sup> /h	0	0.3	0.6	0.9	1.2	1.5	1.8	2.1	2.4	2.7	3	3.3	3.6		
3SAm2.5/5P	0.18	0.25	21	21	21	20	20	20	19	18	17	16	14	12	10	7	20-10	1
3SAm2.5/7P	0.25	0.33	30	29	29	29	28	27	26	24	22	20	17	14	10	29-14		
3SAm2.5/10P	0.37	0.5	41	42	41	41	43	38	37	34	32	28	24	20	14	41-20		
3SAm2.5/15P	0.55	0.75	62	62	62	61	60	57	55	52	47	42	37	30	20	61-60		
3SAm2.5/20P	0.75	1	83	83	83	82	79	77	73	69	63	57	49	39	27	82-39		
3SAm2.5/25P	1.1	1.5	104	104	103	102	99	96	92	86	79	71	61	49	34	102-49		

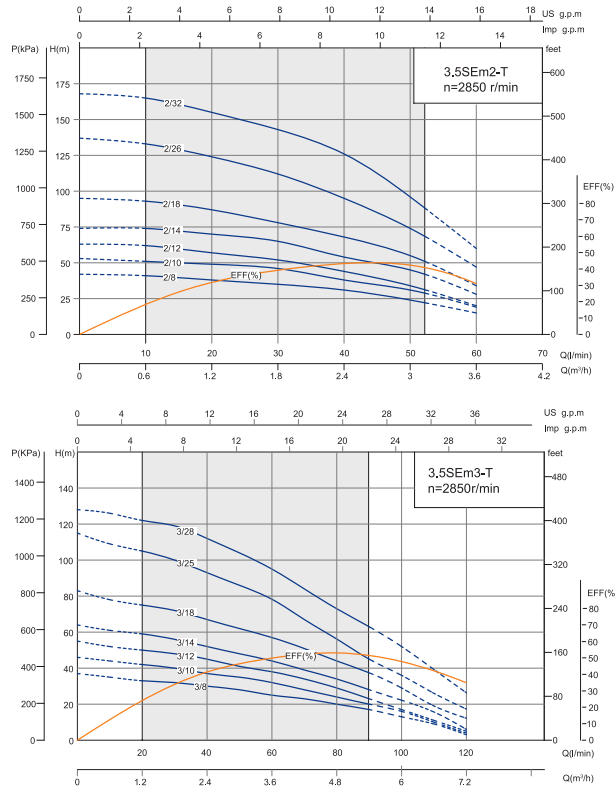
**3" Deep Well Pumps 3SE(m)-T**



Model	Power		Flow												Head Range (m)	Pipe Connection (DN) Inch
	kW	HP	m <sup>3</sup> /h l/min	0	0.3	0.6	0.9	1.2	1.5	1.8	2.1	2.4	2.7			
3SEm1.8/7T	0.18	0.25	H (m)	30	30	29	29	27	25	23	20	16	11	29-11	1	
3SEm1.8/10T	0.25	0.33		43	42	42	41	39	36	33	28	23	16	42-16		
3SEm1.8/14T	0.37	0.5		60	59	59	57	54	51	46	40	32	23	59-23		
3SEm1.8/20T	0.55	0.75		86	85	84	82	78	73	66	57	46	32	84-32		
3SEm1.8/27T	0.75	1		115	114	113	110	105	98	88	76	62	44	113-44		
3SEm1.8/33T	1.1	1.5		142	141	139	136	130	120	109	93	77	53	139-53		

Model	Power		Flow												Head Range (m)	Pipe Connection (DN) Inch		
	kW	HP	m <sup>3</sup> /h l/min	0	0.3	0.6	0.9	1.2	1.5	1.8	2.1	2.4	2.7	3			3.3	3.6
3SEm2.5/5T	0.18	0.25	H (m)	21	21	21	20	20	19	18	17	16	14	12	10	7	20-10	1
3SEm2.5/7T	0.25	0.33		30	29	29	29	28	27	26	24	22	20	17	14	10	29-14	
3SEm2.5/10T	0.37	0.5		41	42	41	41	40	38	37	34	32	28	24	20	14	41-20	
3SEm2.5/15T	0.55	0.75		62	62	62	61	60	57	55	52	47	42	37	30	20	61-30	
3SEm2.5/20T	0.75	1		83	83	83	82	79	77	73	69	63	57	49	39	27	82-39	
3SEm2.5/25T	1.1	1.5		104	104	103	102	99	96	92	86	79	71	61	49	34	102-49	

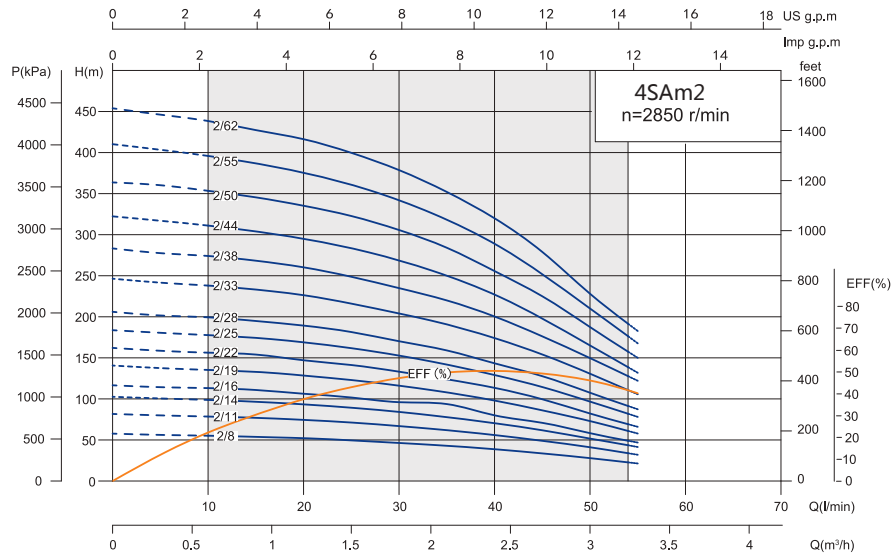
### 3.5" Deep Well Pumps 3.5SE(m)-T



Model	Power		Flow									Head Range (m)	Pipe Connection (DN) Inch
	kW	HP	m³/h l/min	0	0.6	1.2	1.8	2.4	3	3.6			
3.5SEm2/8T	0.37	0.5	H (m)	0	10	20	30	40	50	60	41-22	1.5	
3.5SEm2/10T	0.55	0.75		42	41	38	35	31	24	15	51-29		
3.5SEm2/12T	0.75	1		53	51	49	46	38	31	19	61-32		
3.5SEm2/14T	0.9	1.2		63	61	57	52	44	34	20	73-42		
3.5SEm2/18T	1.1	1.5		74	73	70	65	54	45	28	92-51		
3.5SEm2/26T	1.5	2		95	92	87	78	68	55	34	132-69		
3.5SEm2/32T	1.8	2.4		137	132	124	112	95	74	47	164-89		
				169	164	158	146	127	101	70			

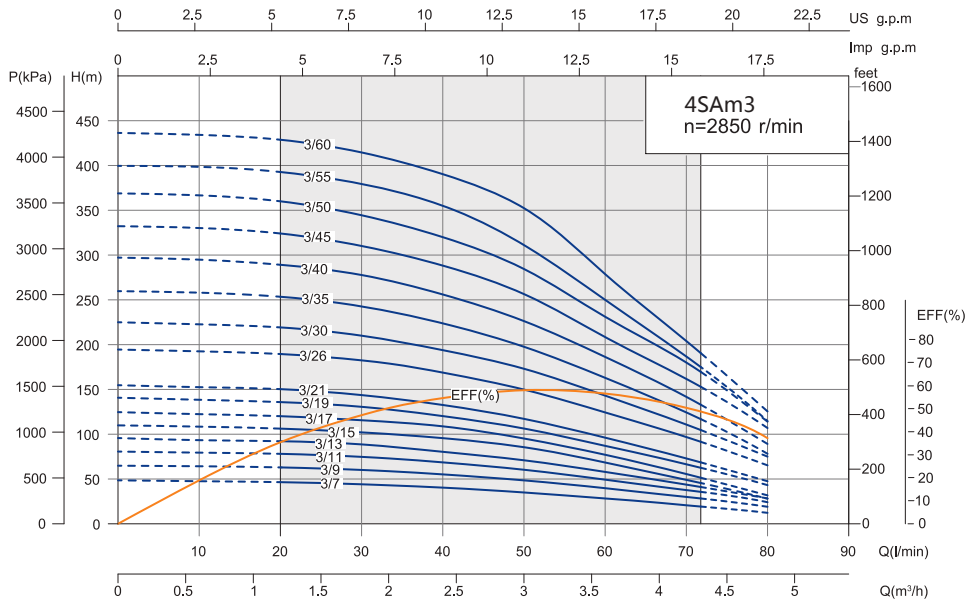
Model	Power		Flow														Head Range (m)	Pipe Connection (DN) Inch
	kW	HP	m³/h l/min	0	0.6	1.2	1.8	2.4	3	3.6	4.2	4.8	5.4	6.0	6.6	7.2		
3.5SEm3/8T	0.37	0.5	H (m)	37	35	33	32	30	28	25	23	20	17	13	9	3	33-13	1.5
3.5SEm3/10T	0.55	0.75		46	44	42	40	37	35	32	28	24	20	16	10	4	41-16	
3.5SEm3/12T	0.75	1		55	52	50	48	45	41	38	34	29	23	17	11	5	49-17	
3.5SEm3/14T	0.9	1.2		64	61	59	56	52	48	44	39	34	30	25	18	6	58-25	
3.5SEm3/18T	1.1	1.5		83	78	75	72	67	62	57	52	44	39	29	19	9	74-29	
3.5SEm3/25T	1.5	2		115	109	105	100	93	86	79	67	51	45	36	26	11	103-36	
3.5SEm3/28T	1.8	2.4		128	126	122	119	112	104	95	84	73	63	52	37	11	121-52	

**4" Deep Well Pumps 4SAm**



Model		Power		Flow													Head	Pipe
Single-Phase 230V	Three-Phase 400V	kW	HP	m³/h	0	0.3	0.6	0.9	1.2	1.5	1.8	2.1	2.4	2.7	3	3.3	Range	Connection
				l/min	0	5	10	15	20	25	30	35	40	45	50	55	(m)	(DN) Inch
4SAm2/8	-	0.37	0.5	H (m)	58	56	55	54	52	50	46	43	38	34	27	21	55-22	1.25
4SAm2/11	-	0.55	0.75		82	80	79	77	74	71	67	62	56	49	41	32	77-34	
4SAm2/14	4SA2/14	0.75	1		102	100	99	97	93	89	84	82	70	62	51	41	99-43	
4SAm2/16	4SA2/16	0.75	1		117	114	113	111	106	102	96	94	80	71	58	47	113-49	
4SAm2/19	4SA2/19	1.1	1.5		140	137	135	133	127	122	115	107	98	86	71	57	135-60	
4SAm2/22	4SA2/22	1.1	1.5		162	159	156	154	147	141	133	124	113	100	82	66	156-69	
4SAm2/25	4SA2/25	1.5	2		184	180	178	174	169	162	152	142	128	114	96	78	178-81	
4SAm2/28	4SA2/28	1.5	2		206	202	199	195	189	181	170	159	143	128	108	87	199-91	
4SAm2/33	4SA2/33	2.2	3		246	241	238	233	226	216	204	191	174	153	130	106	238-110	
4SAm2/38	4SA2/38	2.2	3		283	278	274	268	260	249	235	220	200	176	150	122	274-127	
-	4SA2/44	3	4		320	317	311	304	295	284	269	250	225	198	165	132	311-137	
-	4SA2/50	3	4		364	360	353	345	335	323	306	284	256	225	188	150	353-156	
-	4SA2/55	4	5.5		410	403	396	386	376	361	342	318	289	252	206	165	396-175	
-	4SA2/62	4	5.5		454	446	438	427	416	400	379	352	320	279	228	183	438-190	

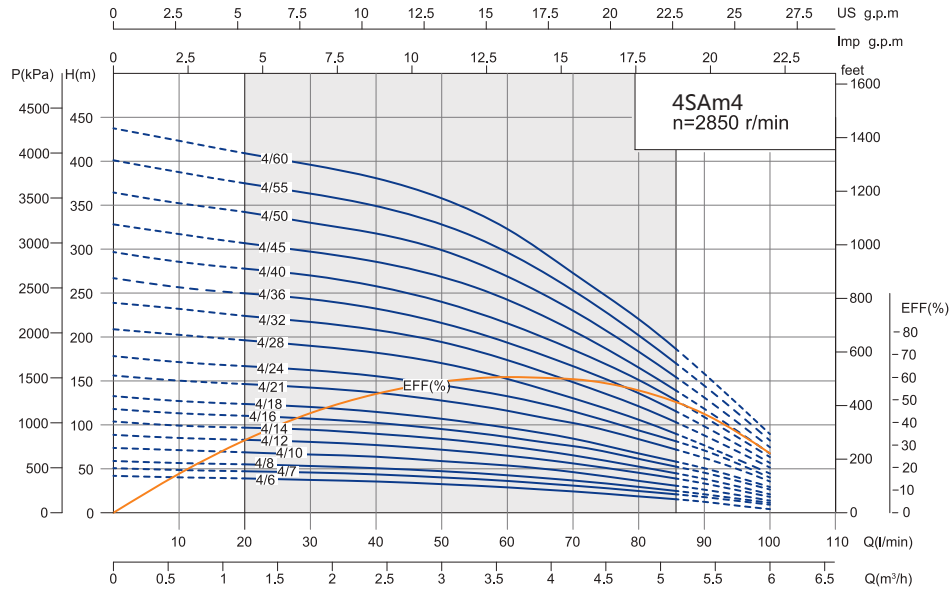
**4" Deep Well Pumps 4SAm**



Model		Power		Flow	Head Range (m)	Pipe Connection (DN) Inch
Single-Phase 230V	Three-Phase 400V	kW	HP			
				0		
				0.6		
				1.2		
				1.8		
				2.4		
				3		
				3.6		
				4.8		
				80		
4SAm3/7	-	0.37	0.5	49	47-25	1.25
4SAm3/9	-	0.55	0.75	65	63-35	
4SAm3/11	4SA3/11	0.75	1	81	78-43	
4SAm3/13	4SA3/13	0.75	1	96	92-51	
4SAm3/15	4SA3/15	1.1	1.5	110	109-59	
4SAm3/17	4SA3/17	1.1	1.5	125	120-67	
4SAm3/19	4SA3/19	1.5	2	140	136-77	
4SAm3/21	4SA3/21	1.5	2	155	150-85	
4SAm3/26	4SA3/26	2.2	3	195	190-111	
4SAm3/30	4SA3/30	2.2	3	225	219-127	
-	4SA3/35	3	4	260	253-144	
-	4SA3/40	3	4	297	289-165	
-	4SA3/45	4	5.5	332	324-185	
-	4SA3/50	4	5.5	369	360-206	
-	4SA3/55	5.5	7.5	400	393-219	
-	4SA3/60	5.5	7.5	436	429-241	

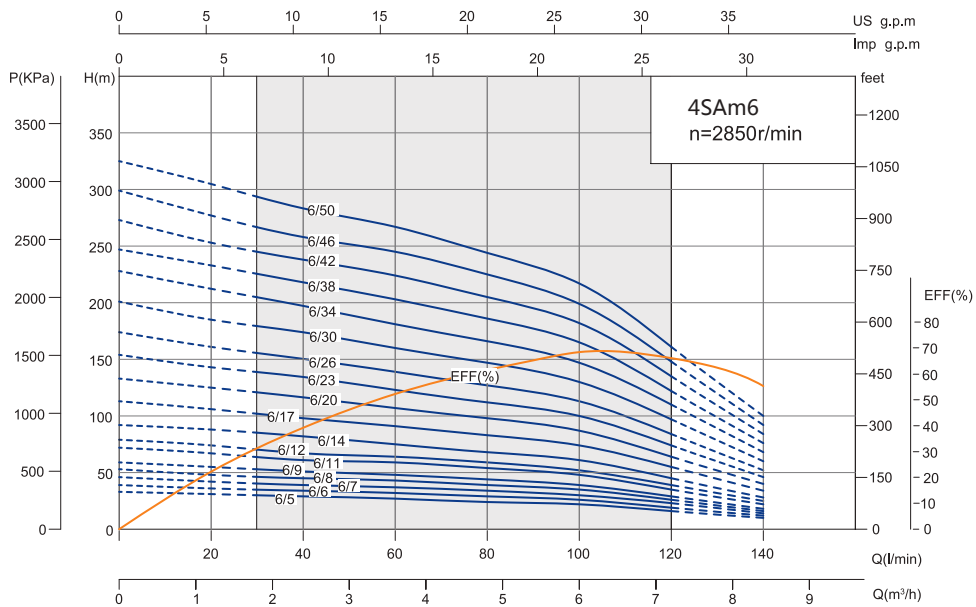


## 4" Deep Well Pumps 4SAm



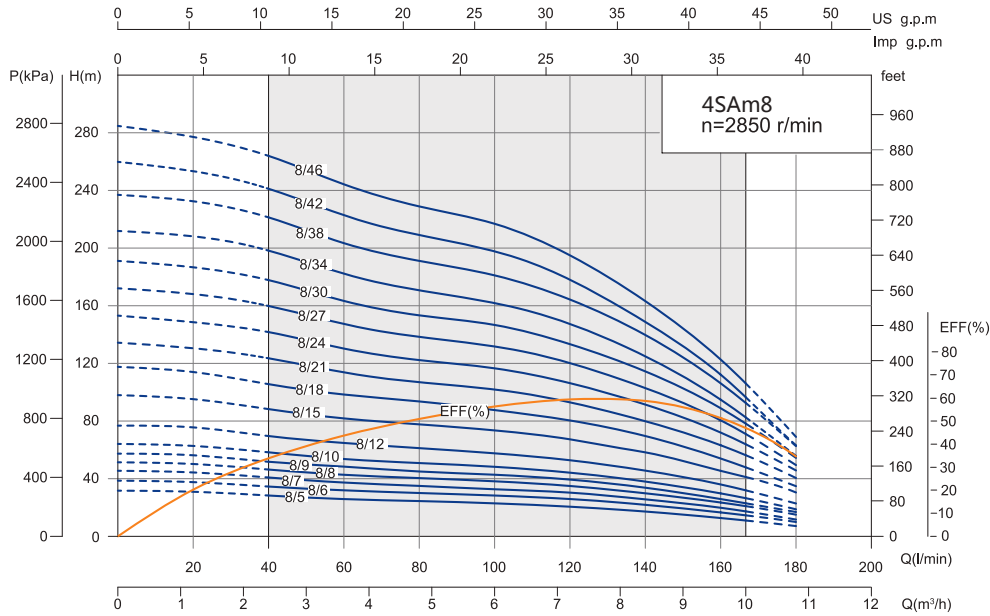
Model		Power		Flow												Head Range (m)	Pipe Connection (DN) Inch
Single-Phase 230V	Three-Phase 400V	kW	HP	m <sup>3</sup> /h	0	0.6	1.2	1.8	2.4	3	3.6	4.2	4.8	5.4	6		
				l/min	0	10	20	30	40	50	60	70	80	90	100		
4SAm4/6	-	0.37	0.5	H (m)	42	40	39	37	35	32	29	24	19	12	4	39-15	1.25
4SAm4/7	-	0.55	0.75		50	48	47	46	44	40	36	31	25	18	9	47-20	
4SAm4/8	4SA4/8	0.75	1		59	57	55	53	51	47	43	37	29	21	11	55-24	
4SAm4/10	4SA4/10	0.75	1		74	71	69	66	64	59	54	46	36	26	14	69-30	
4SAm4/12	4SA4/12	1.1	1.5		89	85	83	81	77	72	65	56	45	33	18	83-38	
4SAm4/14	4SA4/14	1.1	1.5		104	99	97	95	90	84	76	65	53	39	21	97-43	
4SAm4/16	4SA4/16	1.5	2		118	113	110	107	102	95	86	75	60	45	26	110-51	
4SAm4/18	4SA4/18	1.5	2		133	127	124	120	115	107	97	84	68	51	29	124-57	
4SAm4/21	4SA4/21	2.2	3		156	150	146	142	136	127	116	101	82	62	35	146-70	
4SAm4/24	4SA4/24	2.2	3		178	171	167	162	155	145	133	115	94	71	40	167-79	
-	4SA4/28	3	4		209	203	196	190	182	170	152	130	106	77	45	196-87	
-	4SA4/32	3	4		239	232	224	217	208	194	174	149	121	88	51	224-100	
-	4SA4/36	4	5.5		267	257	250	243	232	216	194	167	136	98	57	250-112	
-	4SA4/40	4	5.5		297	286	278	270	258	240	216	186	151	109	63	278-124	
-	4SA4/45	5.5	7.5		328	317	308	297	286	269	242	207	165	118	67	308-134	
-	4SA4/50	5.5	7.5		364	352	342	330	318	299	269	230	183	131	74	342-149	
-	4SA4/55	7.5	10	401	388	375	363	349	328	296	250	202	145	82	375-164		
-	4SA4/60	7.5	10	437	423	409	396	381	358	323	273	220	158	89	409-180		

## 4" Deep Well Pumps 4SAm



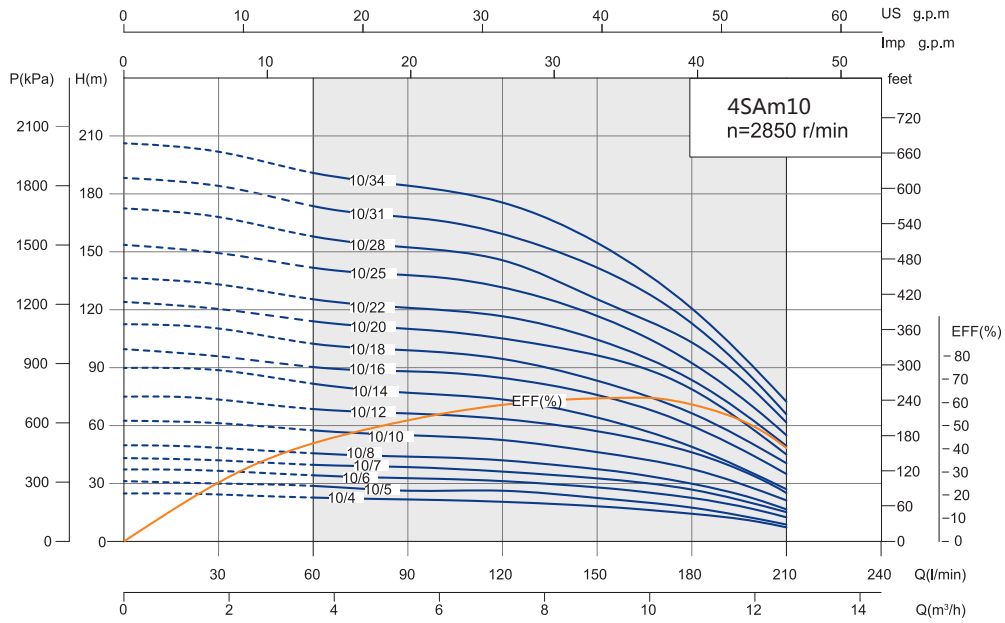
Model		Power		Flow	Head Range (m)	Pipe Connection (DN) Inch
Single-Phase 230V	Three-Phase 400V	kW	HP			
				0		
				1.2		
				2.4		
				3.6		
				4.8		
				6		
				7.2		
				8.4		
				0		
				20		
				40		
				60		
				80		
				100		
				120		
				140		
4SAm6/5	-	0.37	0.5			2
4SAm6/6	-	0.55	0.75			
4SAm6/7	4SA6/7	0.75	1			
4SAm6/8	4SA6/8	0.75	1			
4SAm6/9	4SA6/9	1.1	1.5			
4SAm6/11	4SA6/11	1.1	1.5			
4SAm6/12	4SA6/12	1.5	2			
4SAm6/14	4SA6/14	1.5	2			
4SAm6/17	4SA6/17	2.2	3			
4SAm6/20	4SA6/20	2.2	3			
-	4SA6/23	3	4			
-	4SA6/26	3	4			
-	4SA6/30	4	5.5			
-	4SA6/34	4	5.5			
-	4SA6/38	5.5	7.5			
-	4SA6/42	5.5	7.5			
-	4SA6/46	7.5	10			
-	4SA6/50	7.5	10			

## 4" Deep Well Pumps 4SAm



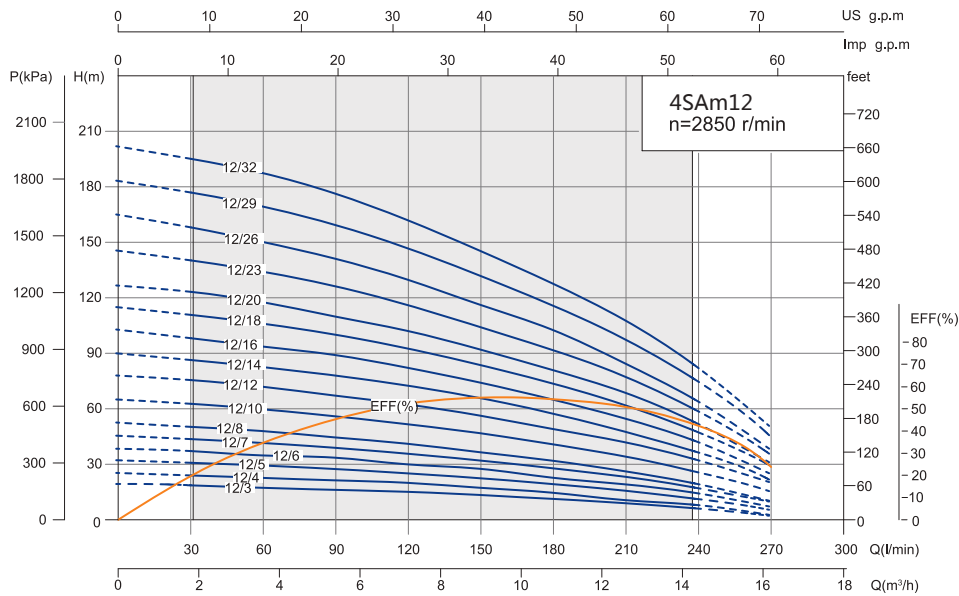
Model		Power		m <sup>3</sup> /h l/min	Flow										Head Range (m)	Pipe Connection (DN) Inch
Single-Phase 230V	Three-Phase 400V	kW	HP		0	1.2	2.4	3.6	4.8	6	7.2	8.4	9.6	10.8		
4SGm8/5	-	0.55	0.75	H (m)	32	31	28	26	25	23	21	17	13	7	28-11	2
4SGm8/6	4SG8/6	0.75	1		39	38	35	32	30	28	26	22	17	10	35-15	
4SGm8/7	4SG8/7	0.75	1		46	44	41	37	35	33	30	26	20	12	41-17	
4SGm8/8	4SG8/8	1.1	1.5		51	50	46	43	40	38	35	30	23	15	46-21	
4SGm8/9	4SG8/9	1.1	1.5		57	56	52	48	45	43	39	34	26	17	52-23	
4SGm8/10	4SG8/10	1.5	2		64	63	58	54	51	48	44	38	30	19	58-26	
4SGm8/12	4SG8/12	1.5	2		77	76	70	65	61	58	53	46	36	23	70-32	
4SGm8/15	4SG8/15	2.2	3		98	95	88	82	78	73	67	58	45	29	88-41	
4SGm8/18	4SG8/18	2.2	3		118	114	106	98	94	88	80	70	54	35	106-48	
-	4SG8/21	3	4		134	130	124	114	107	102	93	80	63	40	124-56	
-	4SG8/24	3	4		153	149	142	130	122	117	106	91	72	46	142-64	
-	4SG8/27	4	5.5		172	168	160	147	138	132	120	103	80	49	160-71	
-	4SG8/30	4	5.5		191	187	178	163	153	147	133	114	89	54	178-78	
-	4SG8/34	5.5	7.5		212	208	198	182	171	162	147	125	95	56	198-83	
-	4SG8/38	5.5	7.5		237	232	221	203	191	181	164	140	106	62	221-93	
-	4SG8/42	7.5	10		260	253	241	223	209	198	178	149	112	63	241-97	
-	4SG8/46	7.5	10		285	277	264	244	229	217	195	163	123	69	264-106	

**4" Deep Well Pumps 4SAm**



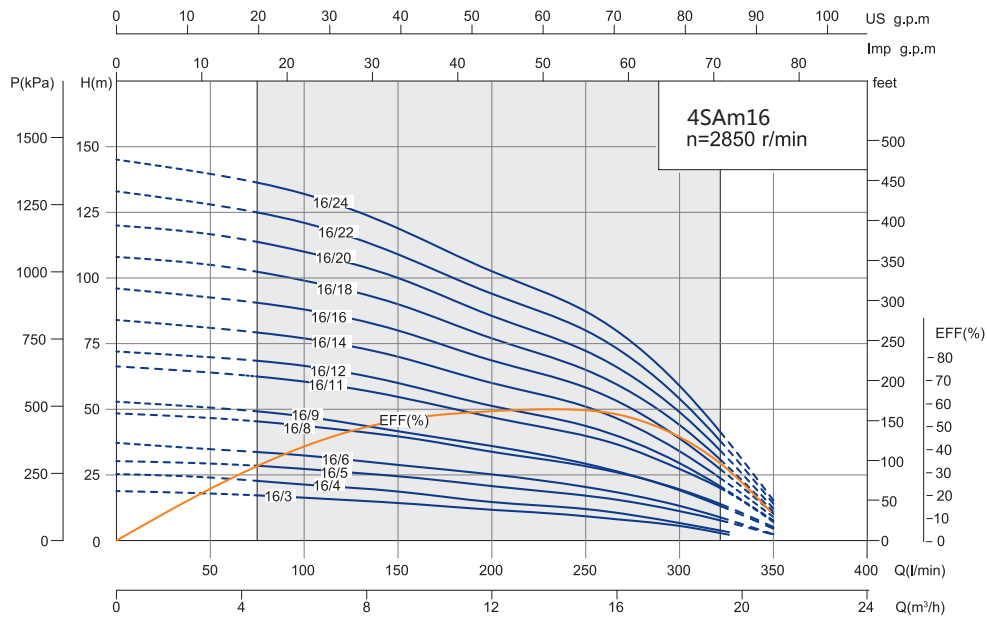
Model		Power		m <sup>3</sup> /h l/min	Flow							Head Range (m)	Pipe Connection (DN) Inch	
Single-Phase 230V	Three-Phase 400V	kW	HP		0	1.8	3.6	5.4	7.2	9	10.8			12.6
4SAm10/4	4SA10/4	0.75	1	H (m)	25	24	23	22	21	18	14	7	23-7	2
4SAm10/5	4SA10/5	0.75	1		31	30	29	27	26	23	18	9	29-9	
4SAm10/6	4SA10/6	1.1	1.5		37	36	34	33	31	28	23	13	35-13	
4SAm10/7	4SA10/7	1.1	1.5		43	42	40	39	36	33	27	15	40-15	
4SAm10/8	4SA10/8	1.5	2		50	49	46	44	42	37	30	17	47-17	
4SAm10/10	4SA10/10	1.5	2		63	61	58	55	53	46	38	21	59-21	
4SAm10/12	4SA10/12	2.2	3		77	76	70	66	63	55	42	22	70-22	
4SAm10/14	4SA10/14	2.2	3		90	89	82	77	74	64	49	26	84-26	
-	4SA10/16	3	4		100	98	91	88	84	74	59	36	92-36	
-	4SA10/18	3	4		113	110	102	99	95	83	66	41	105-41	
-	4SA10/20	4	5.5		124	121	114	110	106	95	76	45	116-45	
-	4SA10/22	4	5.5		136	133	125	121	117	105	84	50	128-50	
-	4SA10/25	5.5	7.5		154	150	141	136	130	116	92	55	144-55	
-	4SA10/28	5.5	7.5		172	168	158	152	146	125	103	62	161-62	
-	4SA10/31	7.5	10		188	184	174	168	160	141	110	66	177-66	
-	4SA10/34	7.5	10		206	202	191	184	175	155	121	72	194-72	
-	4SA6/46	7.5	10		299	290	260	245	225	199	148	92	267-148	
-	4SA6/50	7.5	10		325	303	284	267	244	217	161	100	294-161	

### 4" Deep Well Pumps 4SAm



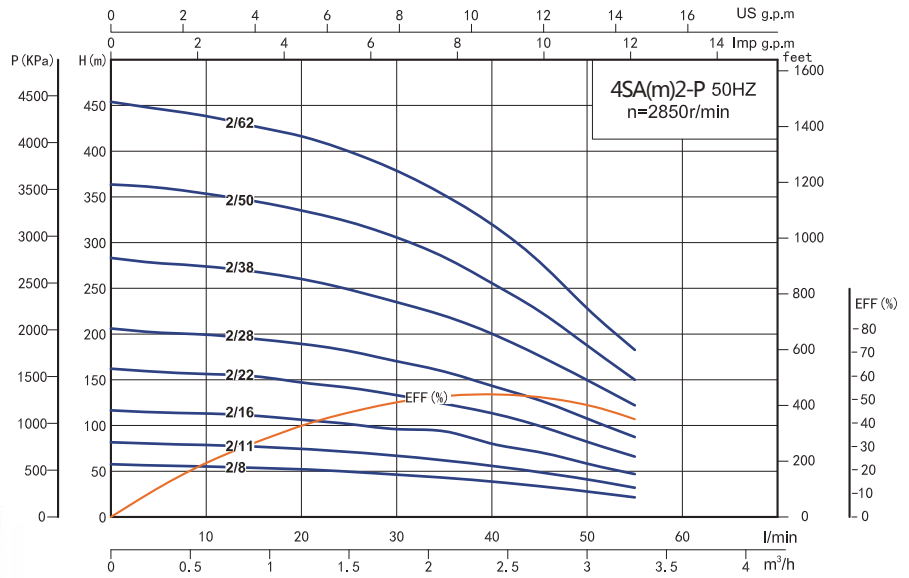
Model		Power		m <sup>3</sup> /h l/min	Flow										Head Range (m)	Pipe Connection (DN) Inch
Single-Phase 230V	Three-Phase 400V	kW	HP		0	1.8	3.6	5.4	7.2	9	10.8	12.6	14.4	16.2		
4SAm12/3	4SA12/3	0.75	1	H (m)	19	18	17	16	15	13	11	8	6	2	18-7	2
4SAm12/4	4SA12/4	0.75	1		25	24	23	21	20	17	15	11	8	3	23-9	
4SAm12/5	4SA12/5	1.1	1.5		32	31	29	28	25	23	19	16	12	6	30-12	
4SAm12/6	4SA12/6	1.1	1.5		38	37	35	34	30	28	23	19	14	7	35-16	
4SAm12/7	4SA12/7	1.5	2		46	44	42	39	36	32	28	23	17	9	42-19	
4SAm12/8	4SA12/8	1.5	2		53	50	48	45	41	37	32	26	19	10	49-21	
4SAm12/10	4SA12/10	2.2	3		65	63	60	56	52	47	41	35	27	17	60-28	
4SAm12/12	4SA12/12	2.2	3		78	76	72	67	62	56	49	42	32	20	73-35	
-	4SA12/14	3	4		90	86	82	78	72	65	57	49	37	22	83-39	
-	4SA12/16	3	4		103	98	94	89	82	74	65	55	42	25	95-45	
-	4SA12/18	4	5.5		114	111	106	99	92	83	73	62	47	28	107-51	
-	4SA12/20	4	5.5		127	123	118	110	102	92	81	69	52	31	119-56	
-	4SA12/23	5.5	7.5		146	140	133	125	115	106	91	75	57	34	136-63	
-	4SA12/26	5.5	7.5		165	158	150	141	130	116	103	85	64	38	152-69	
-	4SA12/29	7.5	10		183	177	170	160	147	132	116	98	75	46	171-80	
-	4SA12/32	7.5	10	202	195	188	177	162	146	128	108	83	51	189-88		

## 4" Deep Well Pumps 4SAm



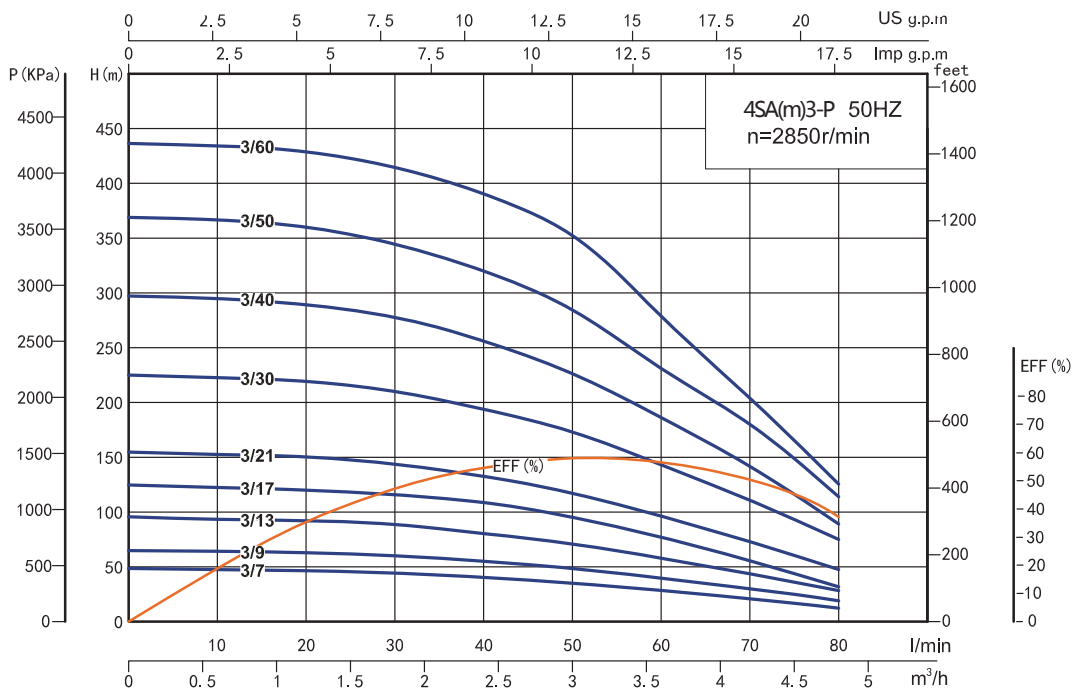
Model		Power		Flow									Head	Pipe
Single-Phase 230V	Three-Phase 400V	kW	HP	m³/h l/min	0	3	6	9	12	15	18	21	Range (m)	Connection (DN) Inch
4SAm16/3	4SA16/3	1.1	1.5	H (m)	19	18	16	14	11	9	5	-	17-2	2
4SAm16/4	4SA16/4	1.1	1.5		25	24	21	19	15	12	7	-	23-3	
4SAm16/5	4SA16/5	1.5	2		31	29	27	24	21	17	11	2	28-7	
4SAm16/6	4SA16/6	1.5	2		37	35	32	29	25	20	13	3	34-8	
4SAm16/8	4SA16/8	2.2	3		47	45	42	37	32	26	17	4	45-12	
4SAm16/9	4SA16/9	2.2	3		53	51	47	42	36	29	19	5	49-13	
-	4SA16/11	3	4		66	64	61	55	47	40	27	7	62-19	
-	4SA16/12	3	4		72	70	67	60	51	44	29	8	68-19	
-	4SA16/14	4	5.5		84	81	77	70	60	51	34	9	79-22	
-	4SA16/16	4	5.5		96	93	88	80	69	58	39	10	91-25	
-	4SA16/18	5.5	7.5		108	105	99	90	77	65	44	11	102-29	
-	4SA16/20	5.5	7.5		120	117	110	100	86	72	49	12	114-32	
-	4SA16/22	7.5	10		133	128	121	109	94	80	54	14	125-35	
-	4SA16/24	7.5	10		145	140	132	119	103	87	59	15	136-38	

**4" Deep Well Pumps 4SA(m)-P**



Model		Power		Flow														Head	Rate Current (A)	
Single-Phase 230V	Three-Phase 400V	kW	HP	m³/h	0	0.3	0.6	0.9	1.2	1.5	1.8	2.1	2.4	2.7	3	3.3	Range (m)	Single-Phase 230V	Three-Phase 400V	
4SAm2/8-0.37P	-	0.37	0.5	H (m)	58	56	55	54	52	50	46	43	38	34	27	21	55-22	4.2	-	
4SAm2/11-0.55P	-	0.55	0.75		80	80	79	77	74	71	67	62	56	49	41	32	77-34	5.2	-	
4SAm2/16-0.75P	4SA2/16-0.75P	0.75	1		117	114	113	111	106	102	96	94	80	71	58	47	113-49	6.9	2.7	
4SAm2/22-1.1P	4SA2/22-1.1P	1.1	1.5		162	159	156	154	147	141	133	124	113	100	82	66	156-69	9.5	3.6	
4SAm2/28-1.5P	4SA2/28-1.5P	1.5	2		206	202	199	195	189	181	170	159	143	128	108	87	199-91	12.2	4.8	
4SAm2/38-2.2P	4SA2/38-2.2P	2.2	3		283	278	274	268	260	249	235	220	200	176	150	122	274-127	17.3	6.4	
-	4SA2/50-3P	3	4		364	360	353	345	335	323	306	284	256	225	188	150	353-156	-	8.9	
-	4SA2/62-4P	4	5.5		454	446	438	427	416	400	379	352	320	279	228	183	438-190	-	10.9	

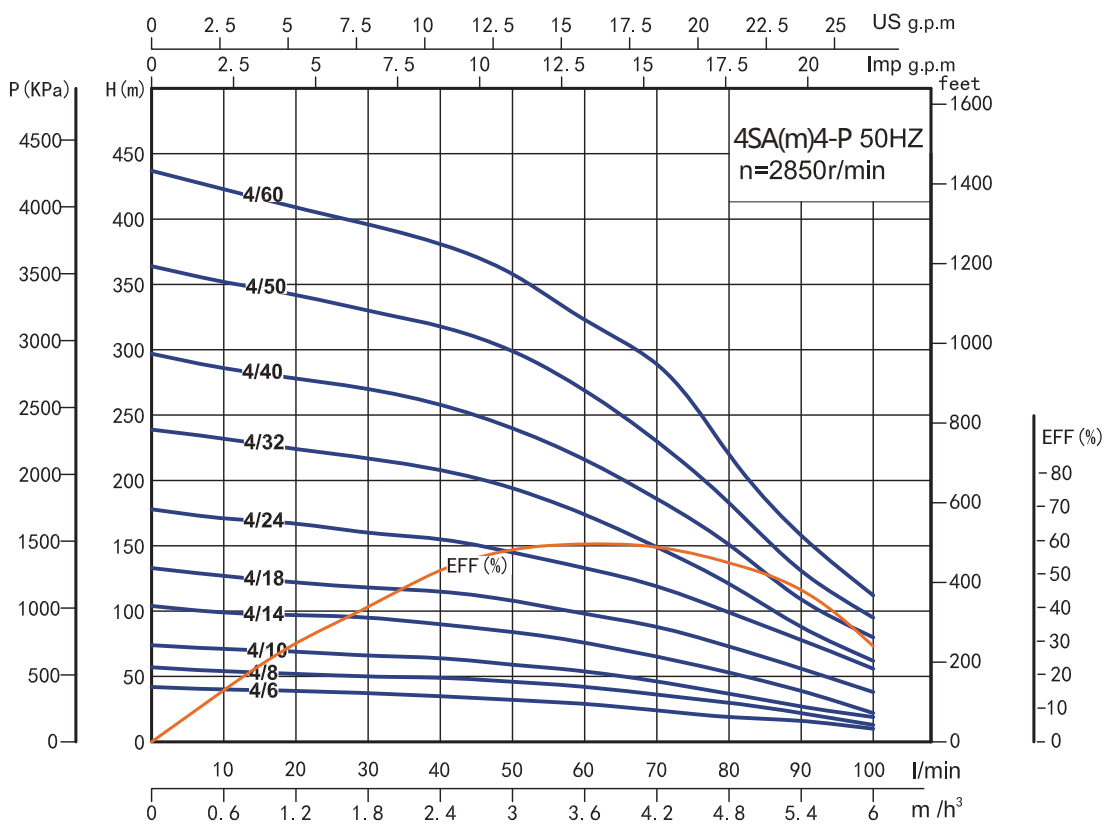
**4" Deep Well Pumps 4SA(m)-P**



Model		Power		Flow												Head	Rate Current (A)	
Single-Phase 230V	Three-Phase 400V	kW	HP	m <sup>3</sup> /h l/min	0	0.6 10	1.2 20	1.8 30	2.4 40	3 50	3.6 60	4.2 70	4.8 80	Range (m)	Single-Phase 230V	Three-Phase 400V		
4SAm3/7-0.37P	4SAm3/7-0.37P	0.37	0.5	H (m)	49	48	47	44	40	35	28	23	12	47-25	4.2	-		
4SAm3/9-0.55P	4SAm3/9-0.55P	0.55	0.75		65	64	63	60	55	48	40	30	19	63-35	5.2	-		
4SAm3/13-0.75P	4SAm3/13-0.75P	0.75	1		96	93	92	89	80	71	58	44	28	92-51	6.9	2.7		
4SAm3/17-1.1P	4SAm3/17-1.1P	1.1	1.5		125	122	120	116	109	95	77	56	32	120-67	9.5	3.6		
4SAm3/21-1.5P	4SAm3/21-1.5P	1.5	2		155	153	150	144	133	117	96	73	48	150-85	12.2	4.8		
4SAm3/30-2.2P	4SAm23/30-2.2P	2.2	3		225	223	219	210	194	173	143	111	75	219-127	17.3	6.4		
-	-	3	4		297	295	289	278	256	226	186	142	89	289-165	-	8.9		
-	-	4	5.5		369	367	360	344	320	284	231	180	114	360-206	-	10.9		
-	-	5.5	7.5		436	434	429	415	387	352	273	204	125	429-241	-	15.4		

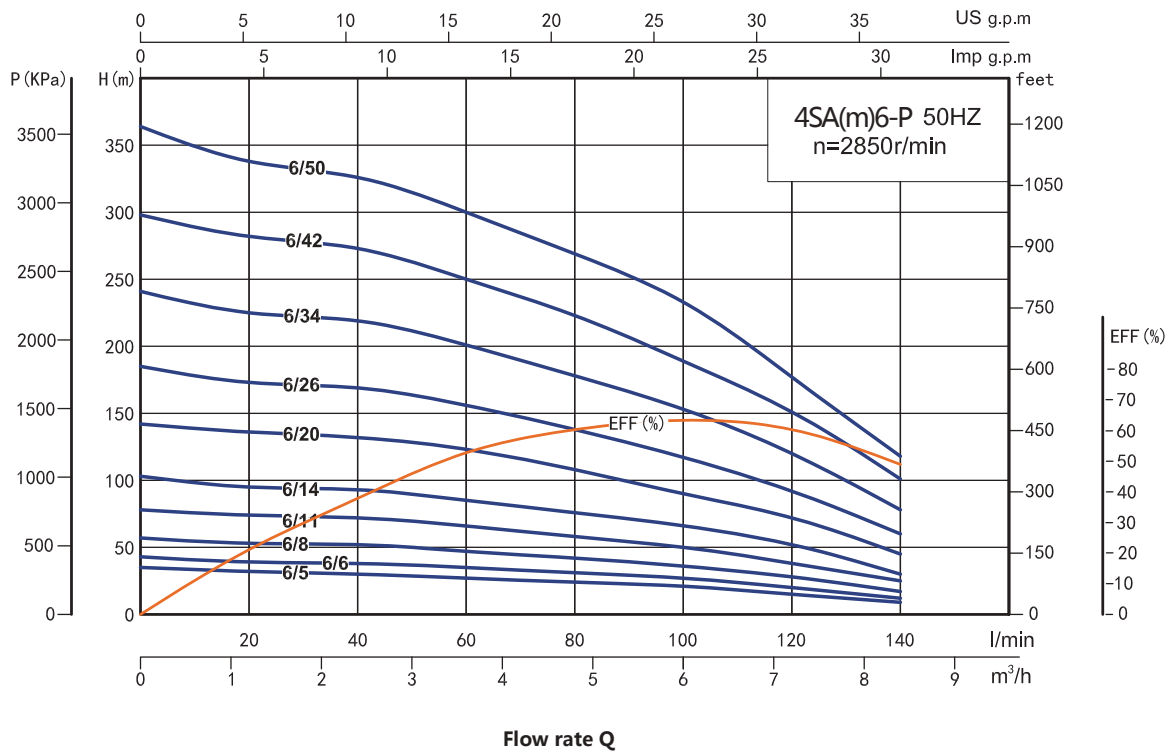


**4" Deep Well Pumps 4SA(m)-P**



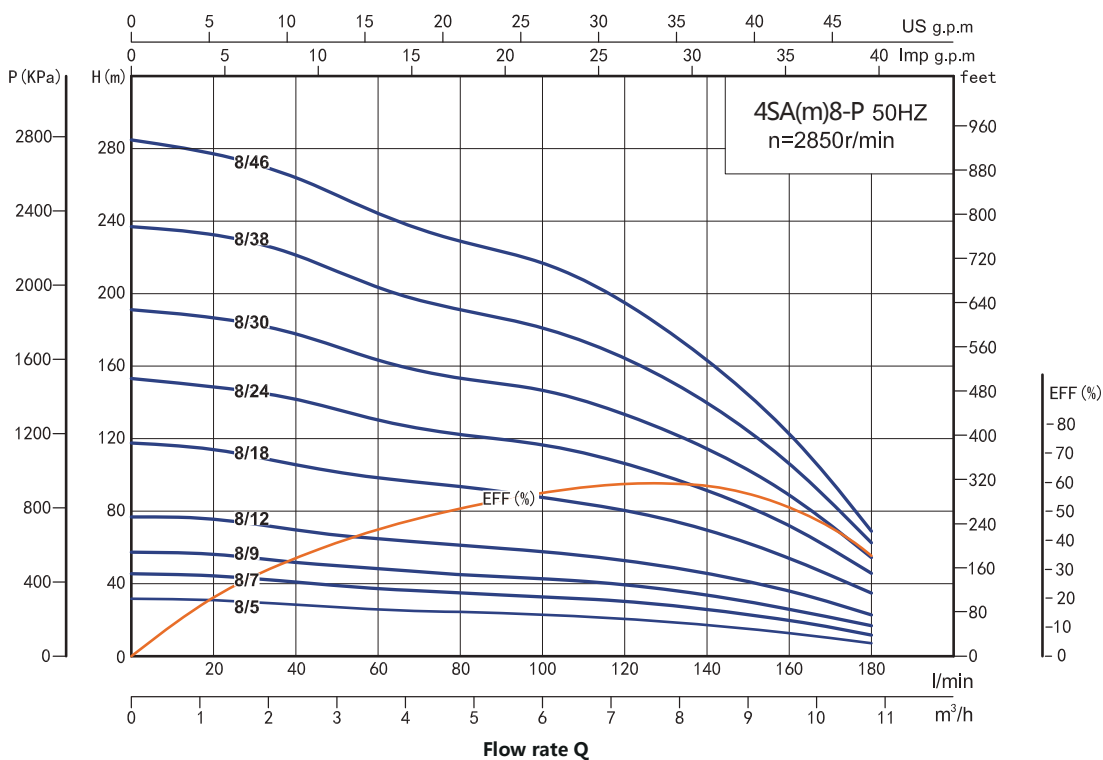
Model		Power		Flow																Head	Rate Current (A)	
Single-Phase 230V	Three-Phase 400V	kW	HP	m³/h	0	0.6	1.2	1.8	2.4	3	3.6	4.2	4.8	5.4	6	Range	Single-Phase 230V	Three-Phase 400V				
				l/min	0	10	20	30	40	50	60	70	80	90	100	(m)						
4SAm4/6-0.37P	-	0.37	0.5	H (m)	42	40	39	37	35	32	29	24	19	16	10	39-15	4.2	-				
4SAm4/8-0.55P	-	0.55	0.75		57	54	52	50	49	46	44	36	30	22	13	52-21	5.2	-				
4SAm4/10-0.75P	4SA4/10-0.75P	0.75	1		74	71	69	66	64	59	54	46	37	27	19	69-30	6.9	2.7				
4SAm4/14-1.1P	4SA4/14-1.1P	1.1	1.5		104	99	97	95	90	84	76	65	53	39	22	97-43	9.5	3.6				
4SAm4/18-1.5P	4SA4/18-1.5P	1.5	2		133	127	122	118	115	108	98	88	73	56	38	127-57	12.2	4.8				
4SAm4/24-2.2P	4SA4/24-2.2P	2.2	3		178	171	167	160	155	145	133	119	99	78	56	167-79	17.3	6.4				
-	4SA4/32-3P	3	4		239	232	224	217	208	194	174	149	121	88	62	210-100	-	8.9				
-	4SA4/40-4P	4	5.5		297	286	278	270	258	240	216	186	151	109	80	266-110	-	10.9				
-	4SA4/50-5.5P	5.5	7.5		364	352	342	330	318	299	269	230	183	131	95	336-177	-	15.4				
-	4SA4/60-7.5P	7.5	10		437	423	409	396	381	358	323	289	220	158	112	404-210	-	18.6				

**4" Deep Well Pumps 4SA(m)-P**



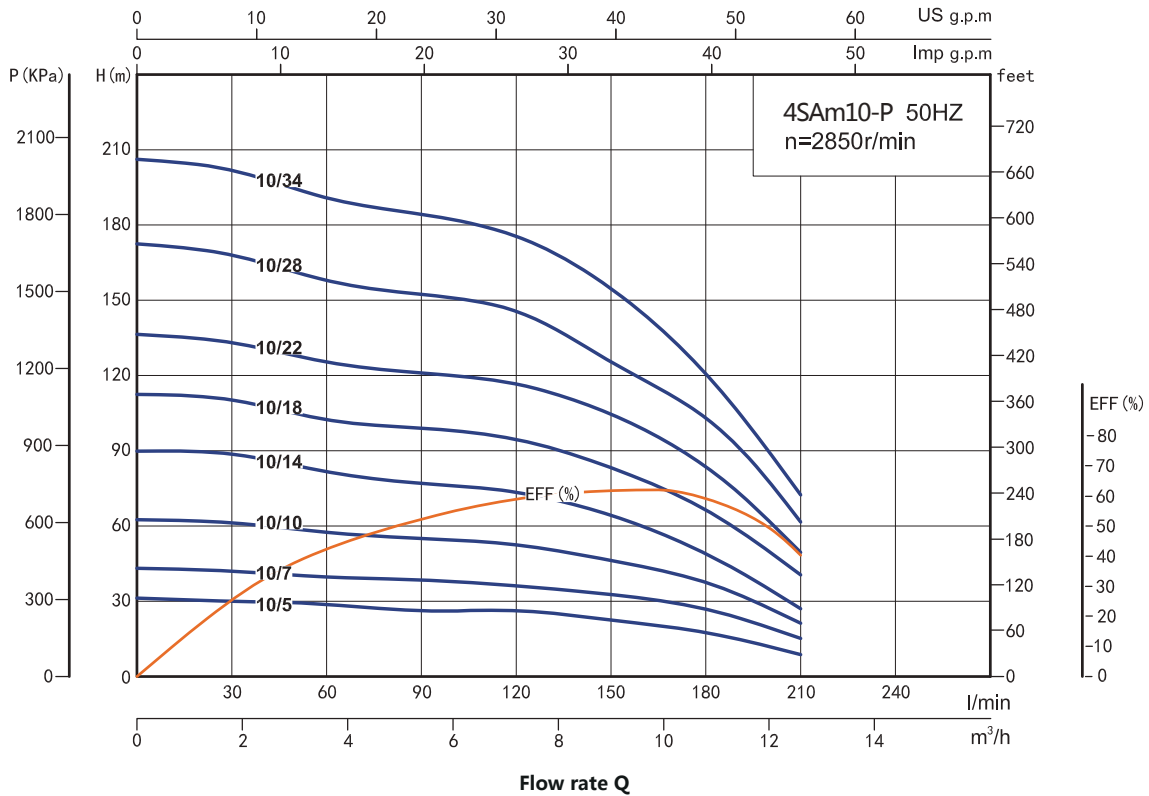
Model		Power		Flow										Head	Rate Current (A)	
Single-Phase 230V	Three-Phase 400V	kW	HP	m³/h	0	1.2	2.4	3.6	4.8	6	7.2	8.4	Range	Single-Phase 230V	Three-Phase 400V	
				l/min	0	10	20	30	40	50	60	70	(m)			
4SAm6/5-0.37P	-	0.37	0.5	H (m)	35	32	30	27	24	21	15	9	11-30	4.2	-	
4SAm6/6-0.55P	-	0.55	0.75		43	39	38	35	31	27	20	12	16-38	5.2	-	
4SAm6/8-0.75P	4SA6/8-0.75P	0.75	1		57	53	52	47	42	36	28	17	22-52	6.9	2.7	
4SAm6/11-1.1P	4SA6/11-1.1P	1.1	1.5		78	74	72	66	58	50	38	25	31-73	9.5	3.6	
4SAm6/14-1.5P	4SA6/14-1.5P	1.5	2		103	95	93	85	76	66	52	30	40-93	12.2	4.8	
4SAm6/20-2.2P	4SA6/20-2.2P	2.2	3		142	136	132	123	108	90	72	45	55-135	17.3	6.4	
-	4SA6/26-3P	3	4		185	173	169	156	138	117	92	60	75-172	-	8.9	
-	4SA6/34-4P	4	5.5		241	225	219	201	178	153	120	78	98-223	-	10.9	
-	4SA6/42-5.5P	5.5	7.5		298	282	273	250	223	189	151	101	130-278	-	15.4	
-	4SA6/50-7.5P	7.5	10		364	338	326	300	269	233	177	118	148-334	-	18.6	

**4" Deep Well Pumps 4SA(m)-P**



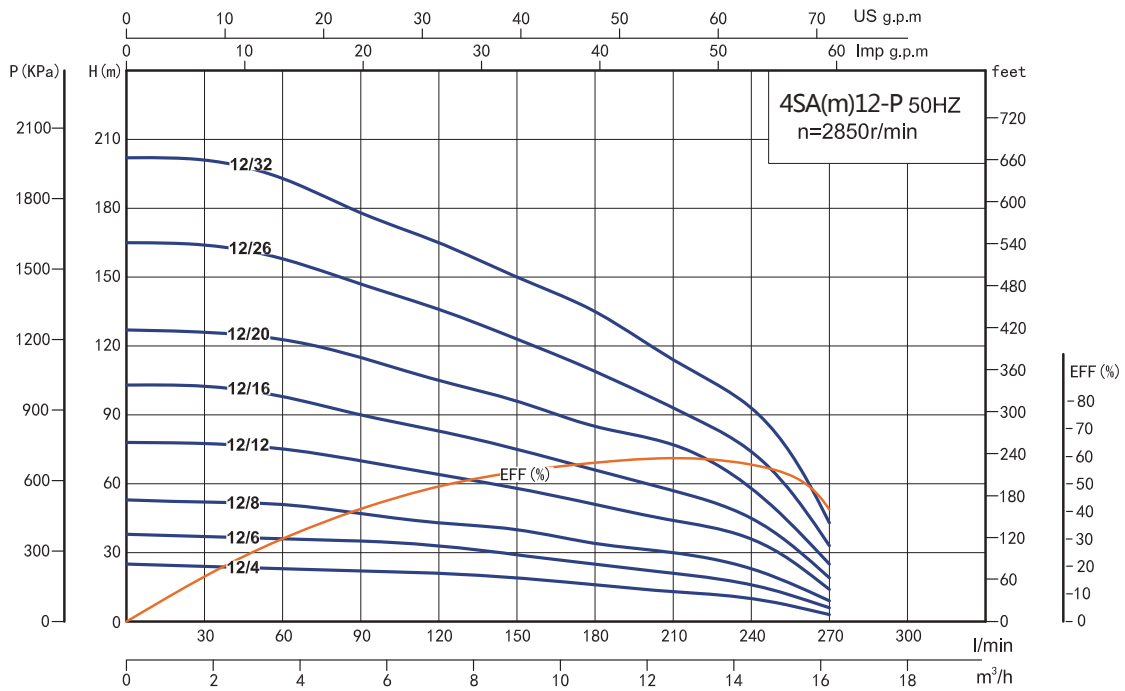
Model		Power		Flow													Head	Rate Current (A)	
Single-Phase 230V	Three-Phase 400V	kW	HP	m³/h	0	1.2	2.4	3.6	4.8	6	7.2	8.4	9.6	10.8	Range	Single-Phase 230V	Three-Phase 400V		
			H (m)	l/min	0	20	40	60	80	100	120	140	160	180	(m)				
4SAm8/5-0.55P	-	0.55	0.75		32	31	28	26	25	23	21	17	13	7	28-11	5.2	-		
4SAm8/7-0.75P	4SA8/7-0.75P	0.75	1		46	44	41	37	35	33	30	26	20	12	41-17	6.9	2.7		
4SAm8/9-1.1P	4SA8/9-1.1P	1.1	1.5		57	56	52	48	45	43	39	34	28	17	52-23	9.5	3.6		
4SAm8/12-1.5P	4SA8/12-1.5P	1.5	2		77	76	70	65	61	58	53	46	36	23	70-32	12.2	4.8		
4SAm8/18-2.2P	4SA8/18-2.2P	2.2	3		118	114	106	98	94	88	80	70	54	35	106-48	17.3	6.4		
-	4SA8/24-3P	3	4		153	149	142	130	122	117	106	91	72	46	142-64	-	8.9		
-	4SA8/30-4P	4	5.5		191	187	178	163	153	147	133	114	89	54	178-78	-	10.9		
-	4SA8/38-5.5P	5.5	7.5		237	232	221	203	191	181	164	140	106	62	221-93	-	15.4		
-	4SA8/46-7.5P	7.5	10		285	277	264	244	229	217	195	163	123	69	264-106	-	18.6		

**4" Deep Well Pumps 4SA(m)-P**



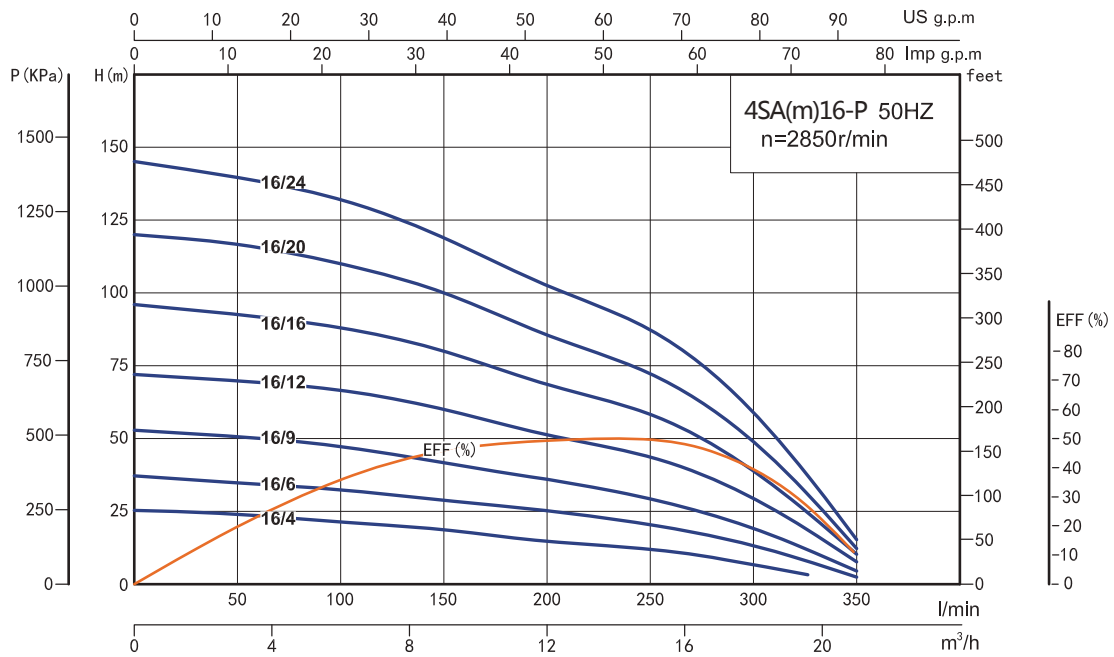
Model		Power		Flow										Head	Rate Current (A)	
Single-Phase 230V	Three-Phase 400V	kW	HP	m <sup>3</sup> /h	0	1.8	3.6	5.4	7.2	9	10.8	12.6	Range (m)	Single-Phase 230V	Three-Phase 400V	
4SAm10/5-0.75P	4SA10/5-0.75P	0.75	1	H (m)	31	30	29	27	26	23	18	9	29-9	6.9	2.7	
4SAm10/7-1.1P	4SA10/7-1.1P	1.1	1.5		43	42	40	39	36	33	27	15	40-15	9.5	3.6	
4SAm10/10-1.5P	4SA10/10-1.5P	1.5	2		63	61	58	55	53	46	38	21	59-21	12.2	4.8	
4SAm10/14-2.2P	4SA10/14-2.2P	2.2	3		90	89	82	77	74	64	49	26	84-26	17.3	6.4	
-	4SA10/18-3P	3	4		113	110	102	99	95	83	66	41	105-41	-	8.9	
-	4SA10/22-4P	4	5.5		136	133	125	121	117	105	84	50	128-50	-	10.9	
-	4SA10/28-5.5P	5.5	7.5		172	168	158	152	146	125	103	62	161-62	-	15.4	
-	4SA10/34-7.5P	7.5	10		206	202	191	184	175	155	121	72	194-72	-	18.6	

**4" Deep Well Pumps 4SA(m)-P**



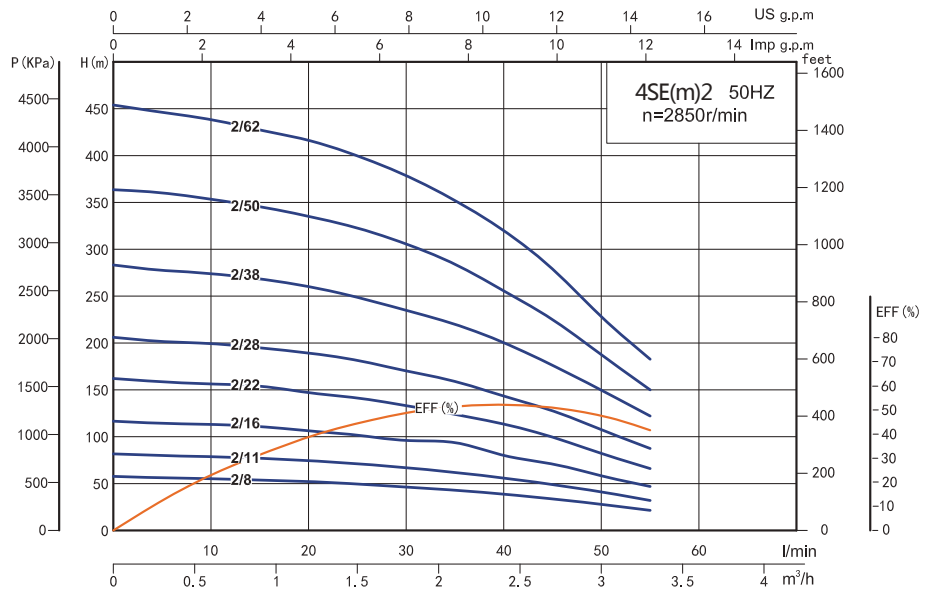
Model		Power		Flow												Head	Rate Current (A)	
Single-Phase 230V	Three-Phase 400V	kW	HP	m <sup>3</sup> /h	0	1.8	3.6	5.4	7.2	9	10.8	12.6	14.4	16.2	Range	Single-Phase 230V	Three-Phase 400V	
4SAm12/4-0.75P	4SA12/4-0.75P	0.75	1	H (m)	25	24	23	22	21	19	16	13	10	3	23-9	6.9	2.7	
4SAm12/6-1.1P	4SA12/6-1.1P	1.1	1.5		38	37	36	35	33	29	25	21	16	6	35-16	9.5	3.6	
4SAm12/8-1.5P	4SA12/8-1.5P	1.5	2		53	52	51	47	43	40	34	30	23	9	49-21	12.2	4.8	
-	4SA12/12-2.2P	2.2	3		78	77	76	70	64	58	51	44	36	14	73-35	17.3	6.4	
-	4SA12/16-3P	3	4		109	102	98	90	83	75	66	57	45	19	95-45	-	8.9	
-	4SA12/20-4P	4	5.5		127	126	124	115	105	96	85	77	58	25	119-56	-	10.9	
-	4SA12/26-5.5P	5.5	7.5		165	164	158	147	136	123	109	93	74	33	152-69	-	15.4	
-	4SA12/32-7.5P	7.5	10		202	201	193	178	165	150	135	114	93	43	189-88	-	18.6	

**4" Deep Well Pumps 4SA(m)-P**



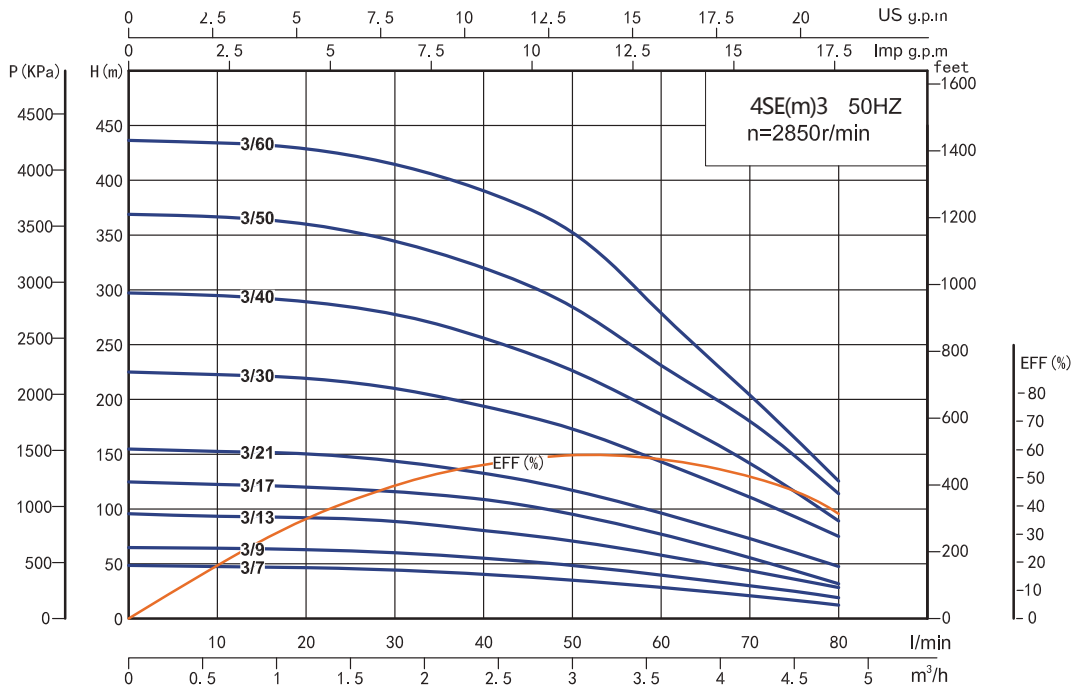
Model		Power		Flow										Head	Rate Current (A)	
Single-Phase 230V	Three-Phase 400V	kW	HP	m <sup>3</sup> /h	0	3	6	9	12	15	18	21	Range	Single-Phase 230V	Three-Phase 400V	
				l/min	0	50	100	150	200	250	300	350	(m)			
4SAm16/4-1.1P	4SA16/4-1.1P	1.1	1.5	H (m)	25	24	21	19	15	12	7	-	23-3	9.5	3.6	
4SAm16/6-1.5P	4SA16/6-1.5P	1.5	2		37	35	32	29	25	20	13	3	34-8	12.2	4.8	
4SAm16/9-2.2P	4SA16/9-2.2P	2.2	3		53	51	47	42	36	29	19	5	49-13	17.3	6.4	
-	4SA16/12-3P	3	4		72	70	67	60	51	44	29	8	68-19	-	8.9	
-	4SA16/16-4P	4	5.5		96	93	88	80	69	58	39	10	91-25	-	10.9	
-	4SA16/20-5.5P	5.5	7.5		120	117	110	100	86	72	49	12	114-32	-	15.4	
-	4SA16/24-7.5P	7.5	10		145	140	132	119	103	87	59	15	136-38	-	18.6	

**4" Deep Well Pumps 4SE(m)**



Model		Power		Flow													Head	Pipe
Single-Phase 230V	Three-Phase 400V	kW	HP	m³/h	0	0.3	0.6	0.9	1.2	1.5	1.8	2.1	2.4	2.7	3	3.3	Range (m)	Connection (DN) Inch
				l/min	0	5	10	15	20	25	30	35	40	45	50	55		
4SEm2/8	-	0.37	0.5	H (m)	58	56	55	54	52	50	46	43	38	34	27	21	55-22	1.5
4SEm2/11	-	0.55	0.75		80	80	79	77	74	71	67	62	56	49	41	32	77-34	
4SEm2/14	4SE2/14	0.75	1		102	100	99	97	93	89	84	82	70	62	51	41	99-43	
4SEm2/16	4SE2/16	0.75	1		117	114	113	111	106	102	96	94	80	71	58	47	113-49	
4SEm2/19	4SE2/19	1.1	1.5		140	137	135	133	127	122	115	107	98	86	71	57	135-60	
4SEm2/22	4SE2/22	1.1	1.5		162	159	156	154	147	141	133	124	113	100	82	66	156-69	
4SEm2/25	4SE2/25	1.5	2		184	180	178	174	169	162	152	142	128	114	96	78	178-81	
4SEm2/28	4SE2/28	1.5	2		206	202	199	195	189	181	170	159	143	128	108	87	199-91	
4SEm2/33	4SE2/33	2.2	3		246	241	238	233	226	216	204	191	174	153	130	106	238-110	
4SEm2/38	4SE2/38	2.2	3		283	278	274	268	260	249	235	220	200	176	150	122	274-127	
-	4SE2/44	3	4		320	317	311	304	295	284	269	250	225	198	165	132	311-137	
-	4SE2/50	3	4		364	360	353	345	335	323	306	284	256	225	188	150	353-156	
-	4SE2/55	4	5.5		410	403	396	386	376	361	342	318	289	252	206	165	396-175	
-	4SE2/62	4	5.5	454	446	438	427	416	400	379	352	320	279	228	183	438-190		

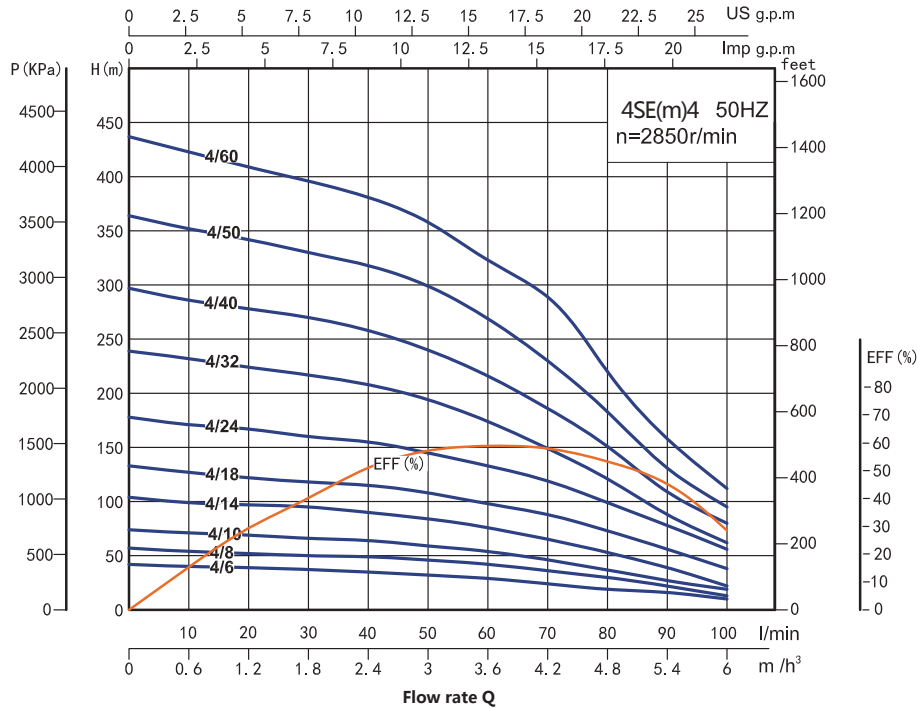
### 4" Deep Well Pumps 4SE(m)



Model		Power		Flow										Head	Pipe
Single-Phase 230V	Three-Phase 400V	kW	HP	m <sup>3</sup> /h l/min	0	0.6	1.2	1.8	2.4	3	3.6	4.2	4.8	Range (m)	Connection (DN) Inch
4SEm3/7	-	0.37	0.5	H (m)	49	48	47	44	40	35	28	23	12	47-25	1.5
4SEm3/9	-	0.55	0.75		65	64	63	60	55	48	40	30	19	63-35	
4SEm3/11	4SE3/11	0.75	1		81	79	78	75	68	60	49	37	24	78-43	
4SEm3/13	4SE3/13	0.75	1		96	93	92	89	80	71	58	44	28	92-51	
4SEm3/15	4SE3/15	1.1	1.5		110	108	106	102	96	84	68	49	28	106-59	
4SEm3/17	4SE3/17	1.1	1.5		125	122	120	116	109	95	77	56	32	120-67	
4SEm3/19	4SE3/19	1.5	2		140	138	136	130	120	106	87	66	43	136-77	
4SEm3/21	4SE3/21	1.5	2		155	153	150	144	133	117	96	73	48	150-85	
4SEm3/26	4SE3/26	2.2	3		195	193	190	182	168	150	124	96	65	190-111	
4SEm3/30	4SE3/30	2.2	3		225	223	219	210	194	173	143	111	75	219-127	
-	4SE3/35	3	4		260	258	253	243	224	198	163	124	78	253-144	
-	4SE3/40	3	4		297	295	289	278	256	226	186	142	89	289-165	
-	4SE3/45	4	5.5		332	330	324	310	288	256	208	162	107	324-185	
-	4SE3/50	4	5.5		369	367	360	344	320	284	231	180	114	360-206	
-	4SE3/55	5.5	7.5	400	398	393	380	355	323	250	187	115	393-219		
-	4SE3/60	5.5	7.5	436	434	429	415	387	352	273	204	125	429-241		

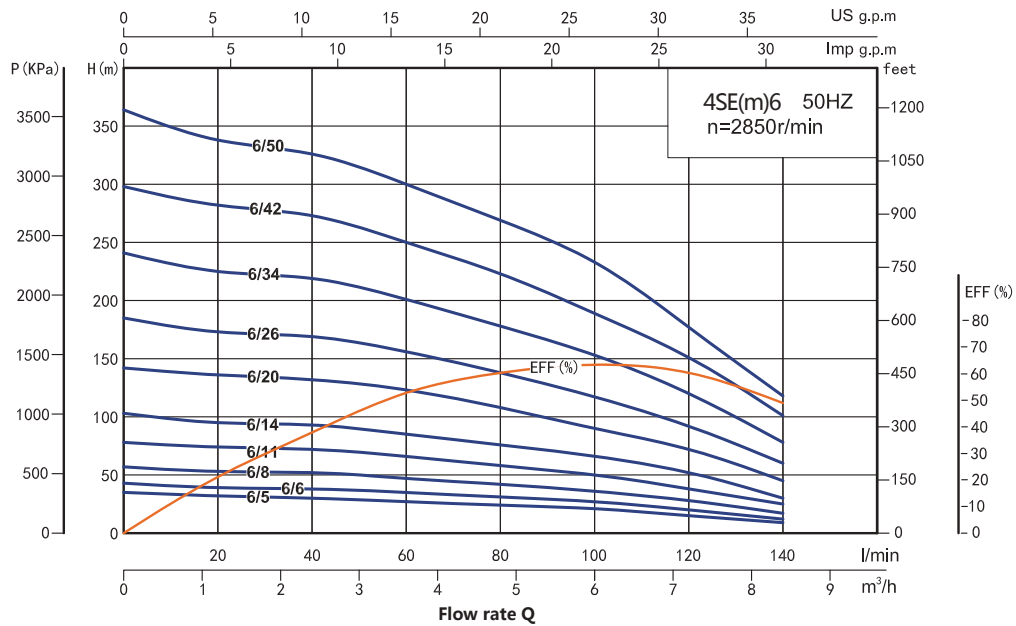


### 4" Deep Well Pumps 4SE(m)



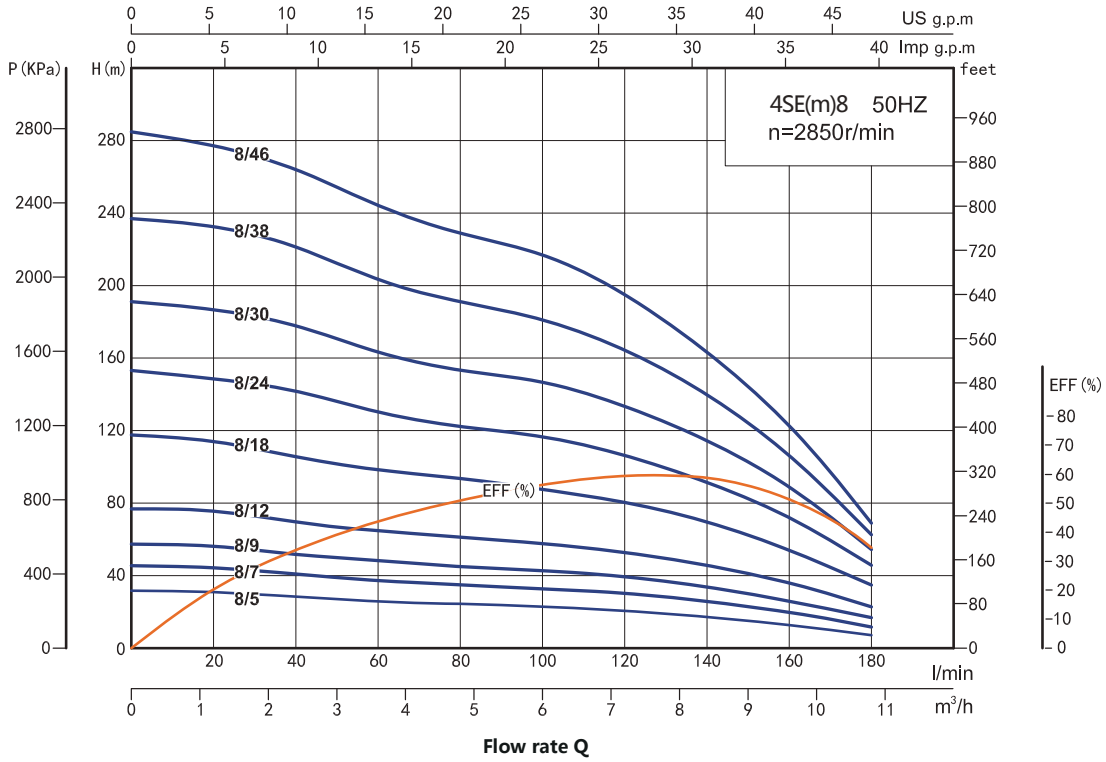
Model		Power		Flow												Head	Pipe
Single-Phase 230V	Three-Phase 400V	kW	HP	m³/h l/min	0	0.6	1.2	1.8	2.4	3	3.6	4.2	4.8	5.4	6	Range (m)	Connection (DN) Inch
					0	10	20	30	40	50	60	70	80	90	100		
4SEm4/6	-	0.37	0.5	H (m)	42	40	39	37	35	32	29	24	19	12	4	39-15	1.5
4SEm4/7	-	0.55	0.75		50	48	47	46	44	40	36	31	25	18	9	47-20	
4SEm4/8	4SE4/8	0.75	1		59	57	55	53	51	47	43	37	29	21	11	55-24	
4SEm4/10	4SE4/10	0.75	1		74	71	69	66	64	59	54	46	36	26	14	69-30	
4SEm4/12	4SE4/12	1.1	1.5		89	85	83	81	77	72	65	56	45	33	18	83-38	
4SEm4/14	4SE4/14	1.1	1.5		104	99	97	95	90	84	76	65	53	39	21	97-43	
4SEm4/16	4SE4/16	1.5	2		118	113	110	107	102	95	86	75	60	45	26	110-51	
4SEm4/18	4SE4/18	1.5	2		133	127	124	120	115	107	97	84	68	51	29	124-57	
4SEm4/21	4SE4/21	2.2	3		156	150	146	142	136	127	116	101	82	62	35	146-70	
4SEm4/24	4SE4/24	2.2	3		178	171	167	162	155	145	133	115	94	71	40	167-79	
-	4SE4/28	3	4		209	203	196	190	182	170	152	130	106	77	45	196-87	
-	4SE4/32	3	4		239	232	224	217	208	194	174	149	121	88	51	224-100	
-	4SE4/36	4	5.5		267	257	250	243	232	216	194	167	136	98	57	250-112	
-	4SE4/40	4	5.5		297	286	278	270	258	240	216	186	151	109	63	278-124	
-	4SE4/45	5.5	7.5		328	317	308	297	286	269	242	207	165	118	67	308-134	
-	4SE4/50	5.5	7.5		364	352	342	330	318	299	269	230	183	131	74	342-149	
-	4SE4/55	7.5	10	401	388	375	363	349	328	296	250	202	145	82	375-164		
-	4SE4/60	7.5	10	437	423	409	396	381	358	323	273	220	158	89	409-180		

### 4" Deep Well Pumps 4SE(m)



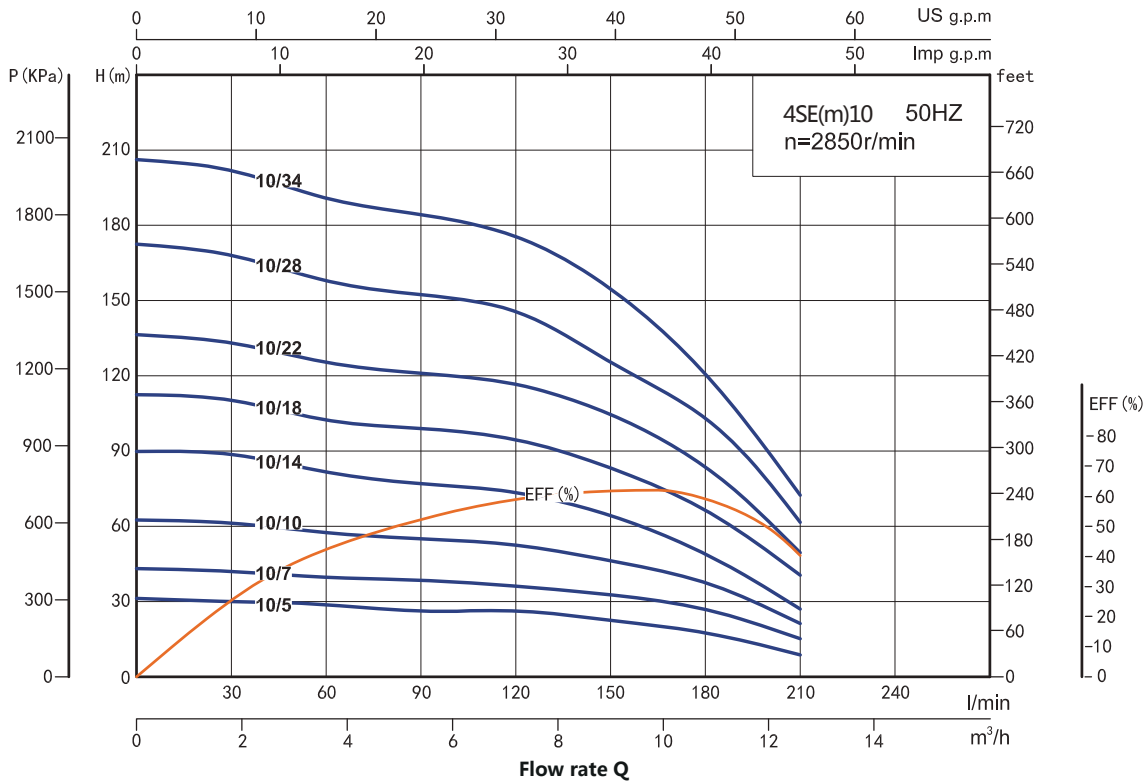
Model		Power		Flow									Head	Pipe
Single-Phase 230V	Three-Phase 400V	kW	HP	m <sup>3</sup> /h l/min	0	1.2	2.4	3.6	4.8	6	7.2	8.4	Range (m)	Connection (DN) Inch
					0	20	40	60	80	100	120	140		
4SEm6/5	-	0.37	0.5	H (m)	33	31	29	27	24	22	16	10	30-16	1.5
4SEm6/6	-	0.55	0.75		39	36	34	32	29	26	19	12	35-19	
4SEm6/7	4SE6/7	0.75	1		46	42	39	37	34	30	23	14	40-23	
4SEm6/8	4SE6/8	0.75	1		53	48	45	43	39	35	26	16	46-26	
4SEm6/9	4SE6/9	1.1	1.5		59	55	51	48	44	39	29	18	53-29	
4SEm6/11	4SE6/11	1.1	1.5		72	67	61	59	54	48	35	22	64-35	
4SEm6/12	4SE6/12	1.5	2		79	74	67	64	59	52	39	24	70-39	
4SEm6/14	4SE6/14	1.5	2		92	86	78	75	68	61	45	28	85-45	
4SEm6/17	4SE6/17	2.2	3		113	106	98	91	83	74	55	34	102-55	
4SEm6/20	4SE6/20	2.2	3		133	125	113	107	98	87	64	40	121-64	
-	4SE6/23	3	4		154	142	132	123	112	100	74	46	139-74	
-	4SE6/26	3	4		174	161	150	139	127	113	84	52	156-84	
-	4SE6/30	4	5.5		201	185	172	160	147	130	97	60	179-97	
-	4SE6/34	4	5.5		228	210	192	181	166	147	110	68	205-110	
-	4SE6/38	5.5	7.5		247	229	220	203	186	165	122	76	226-122	
-	4SE6/42	5.5	7.5		273	253	238	224	205	182	135	84	245-135	
-	4SE6/46	7.5	10	299	280	260	245	225	199	148	92	267-148		
-	4SE6/50	7.5	10	325	303	284	267	244	217	161	100	294-161		

**4" Deep Well Pumps 4SE(m)**



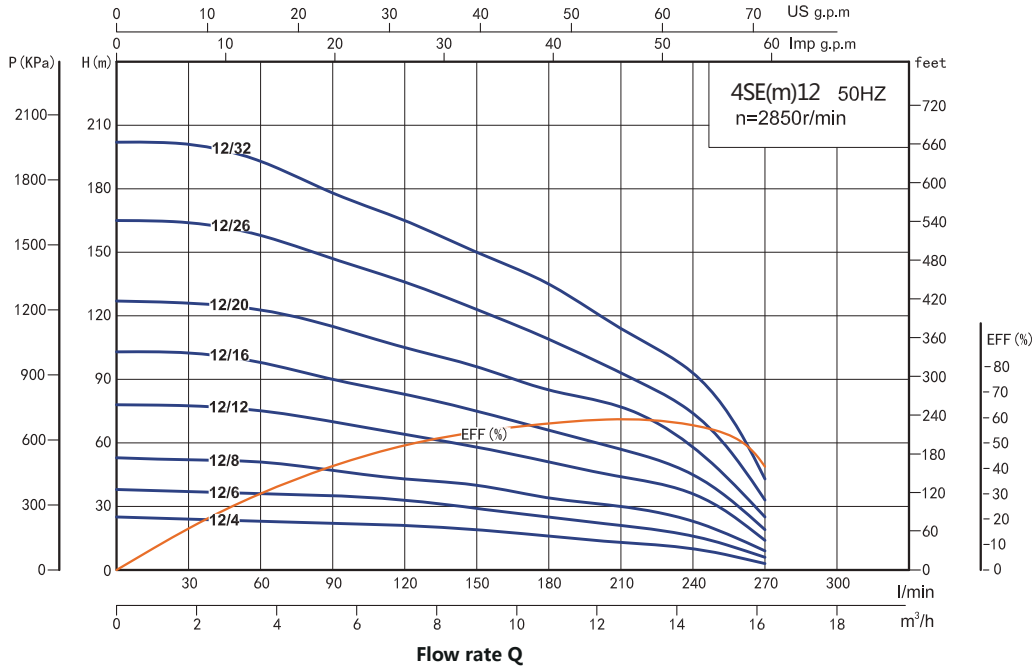
Model		Power		Flow												Head	Pipe
Single-Phase 230V	Three-Phase 400V	kW	HP	m <sup>3</sup> /h l/min	0	1.2	2.4	3.6	4.8	6	7.2	8.4	9.6	10.8	Range (m)	Connection (DN) Inch	
4SEm8/5	-	0.55	0.75	H (m)	32	31	28	26	25	23	21	17	13	7	28-11	2	
4SEm8/6	4SE8/6	0.75	1		39	38	35	32	30	28	26	22	17	10	35-15		
4SEm8/7	4SE8/7	0.75	1		46	44	41	37	35	33	30	26	20	12	41-17		
4SEm8/8	4SE8/8	1.1	1.5		51	50	46	43	40	38	35	30	23	15	46-21		
4SEm8/9	4SE8/9	1.1	1.5		57	56	52	48	45	43	39	34	26	17	52-23		
4SEm8/10	4SE8/10	1.5	2		64	63	58	54	51	48	44	38	30	19	58-26		
4SEm8/12	4SE8/12	1.5	2		77	76	70	65	61	58	53	46	36	23	70-32		
4SEm8/15	4SE8/15	2.2	3		98	95	88	82	78	73	67	58	45	29	88-41		
4SEm8/18	4SE8/18	2.2	3		118	114	106	98	94	88	80	70	54	35	106-48		
-	4SE8/21	3	4		134	130	124	114	107	102	93	80	63	40	124-56		
-	4SE8/24	3	4		153	149	142	130	122	117	106	91	72	46	142-64		
-	4SE8/27	4	5.5		172	168	160	147	138	132	120	103	80	49	160-71		
-	4SE8/30	4	5.5		191	187	178	163	153	147	133	114	89	54	178-78		
-	4SE8/34	5.5	7.5		212	208	198	182	171	162	147	125	95	56	198-83		
-	4SE8/38	5.5	7.5		237	232	221	203	191	181	164	140	106	62	221-93		
-	4SE8/42	7.5	10	260	253	241	223	209	198	178	149	112	63	241-97			
-	4SE8/46	7.5	10	285	277	264	244	229	217	195	163	123	69	264-106			

**4" Deep Well Pumps 4SE(m)**



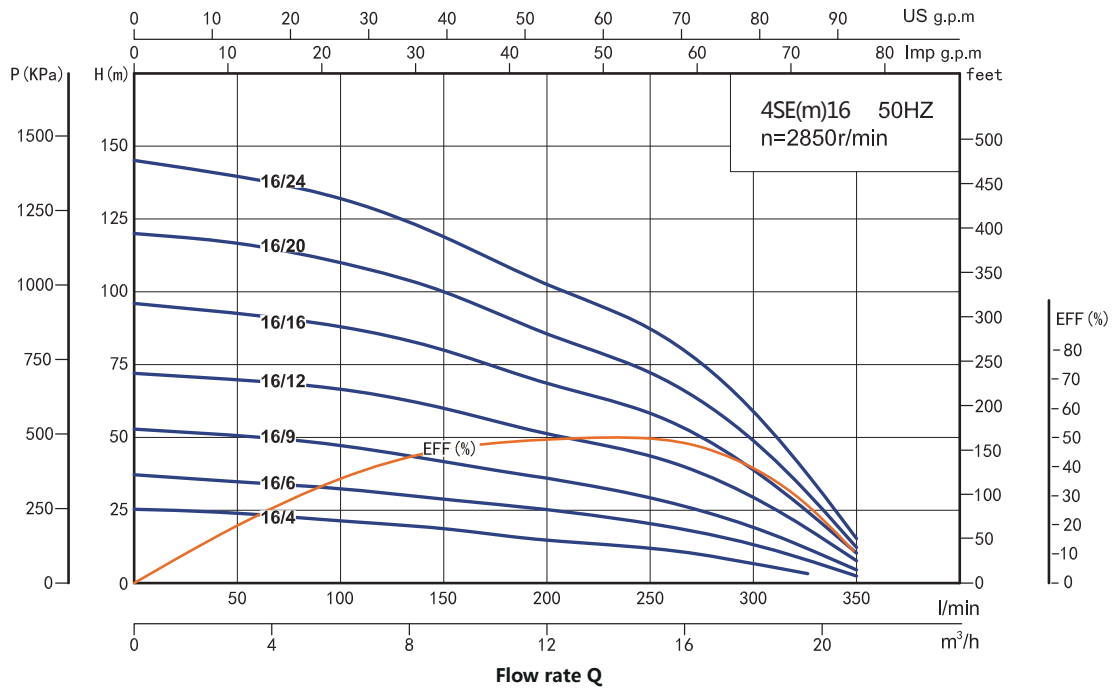
Model		Power		Flow									Head	Pipe
Single-Phase 230V	Three-Phase 400V	kW	HP	m³/h l/min	0	1.8	3.6	5.4	7.2	9	10.8	12.6	Range (m)	Connection (DN) Inch
4SEm10/4	4SE10/4	0.75	1	H (m)	25	24	23	22	21	18	14	7	23-7	2
4SEm10/5	4SE10/5	0.75	1		31	30	29	27	26	23	18	9	29-9	
4SEm10/6	4SE10/6	1.1	1.5		37	36	34	33	31	28	23	13	34-13	
4SEm10/7	4SE10/7	1.1	1.5		43	42	40	39	36	33	27	15	40-15	
4SEm10/8	4SE10/8	1.5	2		50	49	46	44	42	37	30	17	47-17	
4SEm10/10	4SE10/10	1.5	2		63	61	58	55	53	46	38	21	59-21	
4SEm10/12	4SE10/12	2.2	3		77	76	70	66	63	55	42	22	70-22	
4SEm10/14	4SE10/14	2.2	3		90	89	82	77	74	64	49	26	84-26	
-	4SE10/16	3	4		100	98	91	88	84	74	59	36	92-36	
-	4SE10/18	3	4		113	110	102	99	95	83	66	41	105-41	
-	4SE10/20	4	5.5		124	121	114	110	106	95	76	45	116-45	
-	4SE10/22	4	5.5		136	133	125	121	117	105	84	50	128-50	
-	4SE10/25	5.5	7.5		154	150	141	136	130	116	92	55	144-55	
-	4SE10/28	5.5	7.5		172	168	158	152	146	125	103	62	161-62	
-	4SE10/31	7.5	10		188	184	174	168	160	141	110	66	177-66	
-	4SE10/34	7.5	10		206	202	191	184	175	155	121	72	194-72	

**4" Deep Well Pumps 4SE(m)**



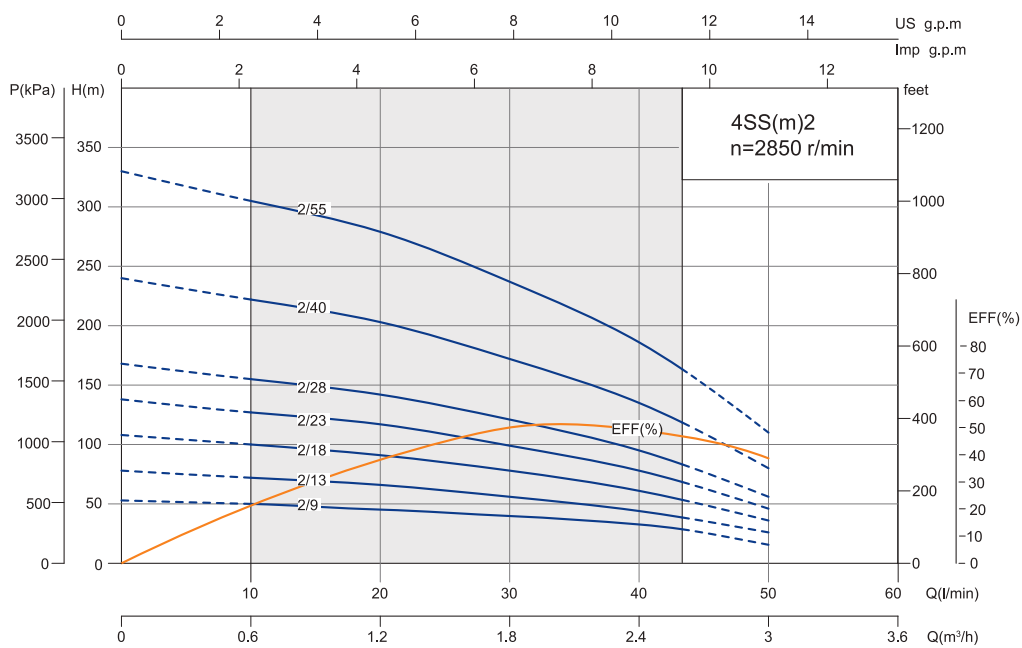
Model		Power		Flow												Head	Pipe
Single-Phase 230V	Three-Phase 400V	kW	HP	m <sup>3</sup> /h l/min	0	1.8	3.6	5.4	7.2	9	10.8	12.6	14.4	16.2	Range (m)	Connection (DN) Inch	
				H (m)	0	30	60	90	120	150	180	210	240	270			
4SEm12/3	4SE12/3	0.75	1	H (m)	19	18	17	16	15	13	11	8	6	2	18-7	2	
4SEm12/4	4SE12/4	0.75	1		25	24	23	21	20	17	15	11	8	3	23-9		
4SEm12/5	4SE12/5	1.1	1.5		32	31	29	28	25	23	19	16	12	6	30-12		
4SEm12/6	4SE12/6	1.1	1.5		38	37	35	34	30	28	23	19	14	7	35-16		
4SEm12/7	4SE12/7	1.5	2		46	44	42	39	36	32	28	23	17	9	42-19		
4SEm12/8	4SE12/8	1.5	2		53	50	48	45	41	37	32	26	19	10	49-21		
4SEm12/10	4SE12/10	2.2	3		65	63	60	56	52	47	41	35	27	17	60-28		
4SEm12/12	4SE12/12	2.2	3		78	76	72	67	62	56	49	42	32	20	73-35		
-	4SE12/14	3	4		90	86	82	78	72	65	57	48	37	22	83-39		
-	4SE12/16	3	4		103	98	94	89	82	74	65	55	42	25	95-45		
-	4SE12/18	4	5.5		114	111	106	99	92	83	73	62	47	28	107-51		
-	4SE12/20	4	5.5		127	123	118	110	102	92	81	69	52	31	119-56		
-	4SE12/23	5.5	7.5		146	140	133	125	115	103	91	75	57	34	136-63		
-	4SE12/26	5.5	7.5		165	158	150	141	130	116	103	85	64	38	152-69		
-	4SE12/29	7.5	10		183	177	170	160	147	132	116	98	75	46	171-80		
-	4SE12/32	7.5	10		202	195	188	177	162	146	128	108	83	51	189-88		

**4" Deep Well Pumps 4SE(m)**



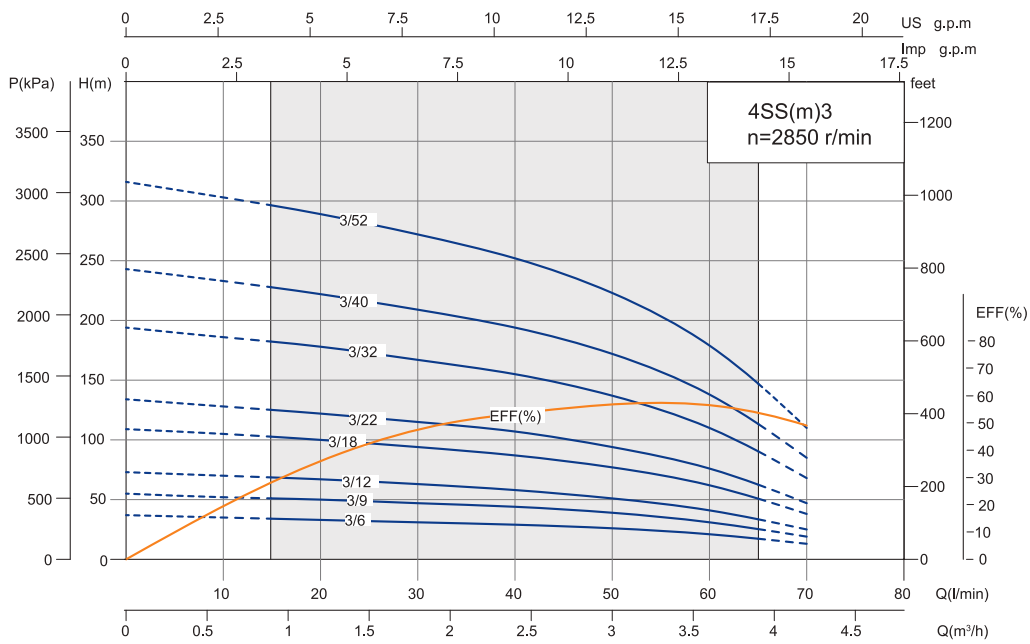
Model		Power		Flow									Head	Pipe
Single-Phase 230V	Three-Phase 400V	kW	HP	m³/h l/min	0	1.2	2.4	3.6	4.8	6	7.2	8.4	Range (m)	Connection (DN) Inch
					0	20	40	60	80	100	120	140		
4SEm16/3	4SE16/3	1.1	1.5	H (m)	19	18	16	14	11	9	5	-	17-2	2
4SEm16/4	4SE16/4	1.1	1.5		25	24	21	19	15	12	7	-	23-3	
4SEm16/5	4SE16/5	1.5	2		31	29	27	24	21	17	11	2	28-7	
4SEm16/6	4SE16/6	1.5	2		37	35	32	29	25	20	13	3	34-8	
4SEm16/8	4SE16/8	2.2	3		47	45	42	37	32	26	17	4	45-12	
4SEm16/9	4SE16/9	2.2	3		53	51	47	42	36	29	19	5	49-13	
-	4SE16/11	3	4		66	64	61	55	47	40	27	7	62-19	
-	4SE16/12	3	4		72	70	67	60	51	44	29	8	68-19	
-	4SE16/14	4	5.5		84	81	77	70	60	51	34	9	79-22	
-	4SE16/16	4	5.5		96	93	88	80	69	58	39	10	91-25	
-	4SE16/18	5.5	7.5		108	105	99	90	77	65	44	11	102-29	
-	4SE16/20	5.5	7.5		120	117	110	100	86	72	49	12	114-32	
-	4SE16/22	7.5	10		133	128	121	109	94	80	54	14	125-35	
-	4SE16/24	7.5	10		145	140	132	119	103	87	59	15	136-38	

**4" Deep Well Pumps 4SS(m)**



Model		Power		Flow							Head Range (m)	Pipe Connection (DN) Inch
Single-Phase 230V	Three-Phase 400V	kW	HP	m <sup>3</sup> /h l/min	0	0.6	1.2	1.8	2.4	3		
4SSm2/9	-	0.37	0.5	H (m)	54	50	46	39	30	18	50-26	1.25
4SSm2/13	-	0.55	0.75		78	72	66	56	44	26	72-38	
4SSm2/18	4SS2/18	0.75	1		108	100	91	78	61	36	100-53	
4SSm2/23	4SS2/23	1.1	1.5		138	127	117	99	78	46	127-68	
4SSm2/28	4SS2/28	1.5	2		168	155	142	121	95	56	155-83	
4SSm2/40	4SS2/40	2.2	3		240	222	203	172	135	80	222-117	
-	4SS2/55	3	4		330	305	279	237	186	110	305-163	

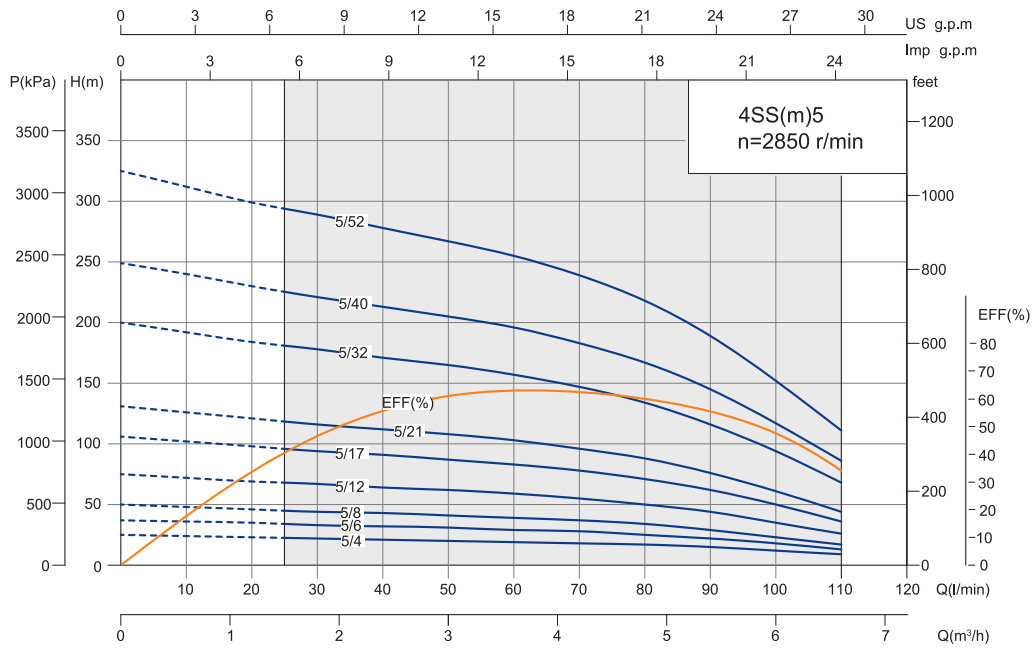
**4" Deep Well Pumps 4SS(m)**



Model		Power		Flow	Head	Pipe
Single-Phase 230V	Three-Phase 400V	kW	HP			
4SSm3/6	-	0.37	0.5	0	34-17	1.25
4SSm3/9	-	0.55	0.75	0	51-25	
4SSm3/12	4SS3/12	0.75	1	0	68-33	
4SSm3/18	4SS3/18	1.1	1.5	0	102-51	
4SSm3/22	4SS3/22	1.5	2	0	125-62	
4SSm3/32	4SS3/32	2.2	3	0	182-90	
-	4SS3/40	3	4	0	227-113	
-	4SS3/52	4	5.5	0	296-147	

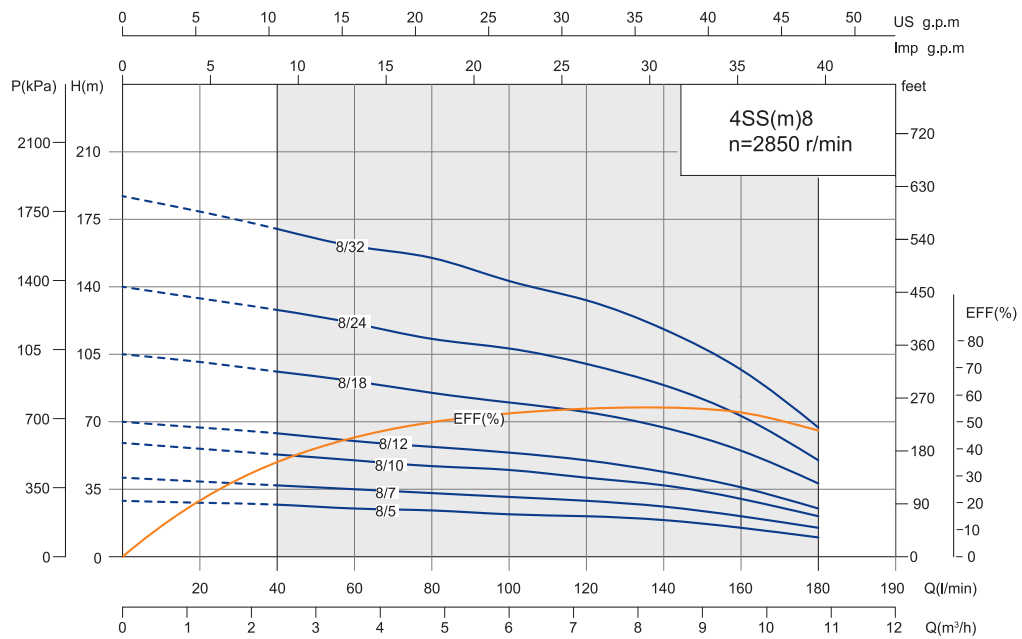


**4" Deep Well Pumps 4SS(m)**



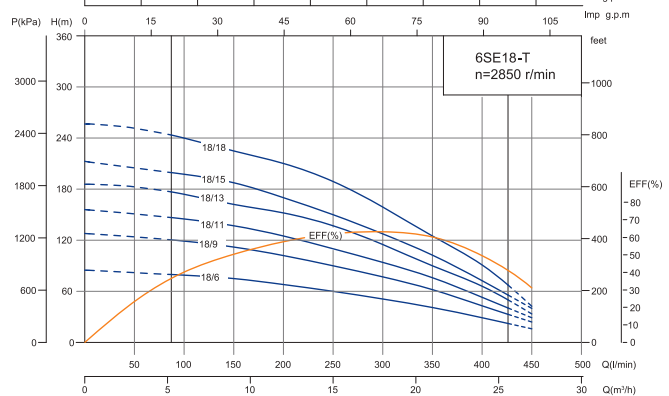
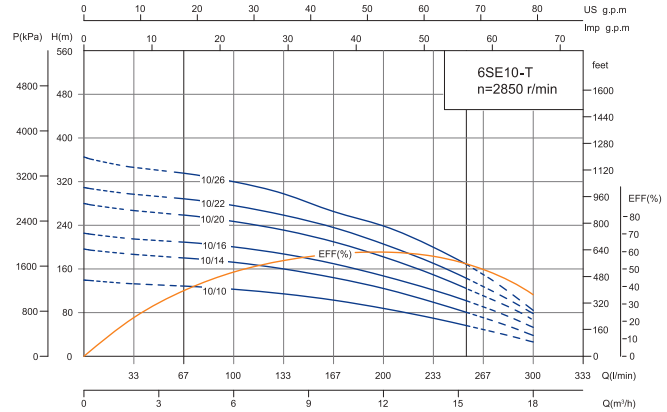
Model		Power		Flow													Head	Pipe
Single-Phase 230V	Three-Phase 400V	kW	HP	m <sup>3</sup> /h l/min	0	0.6	1.2	1.8	2.4	3	3.6	4.2	4.8	5.4	6	6.6	Range (m)	Connection (DN) Inch
4SSm5/4	-	0.37	0.5	H (m)	25	24	23	22	21	20	19	18	17	15	12	9	23-9	1.25
4SSm5/6	-	0.55	0.75		37	36	35	33	32	31	29	28	25	22	18	13	34-13	
4SSm5/8	4SS5/8	0.75	1		50	48	46	44	43	41	39	37	34	29	23	17	45-17	
4SSm5/12	4SS5/12	1.1	1.5		75	72	69	67	64	62	59	55	50	44	35	26	68-26	
4SSm5/17	4SS5/17	1.5	2		106	102	98	94	91	87	83	78	71	62	50	36	96-36	
4SSm5/21	4SS5/21	2.2	3		131	126	121	116	112	108	103	96	88	76	61	44	119-44	
-	4SS5/32	3	4		200	192	184	178	171	165	157	147	134	116	94	68	181-68	
-	4SS5/40	4	5.5		249	240	230	221	213	205	196	183	167	145	117	86	226-86	
-	4SS5/52A	5.5	7.5		325	312	299	289	278	267	255	239	218	189	152	111	294-111	

**4" Deep Well Pumps 4SS(m)**



Model		Power		Flow												Head	Pipe
Single-Phase 230V	Three-Phase 400V	kW	HP	m <sup>3</sup> /h l/min	0	1.2	2.4	3.6	4.8	6	7.2	8.4	9.6	10.8	Range (m)	Connection (DN) Inch	
4SSm8/5	4SS8/5	0.75	1	H (m)	29	28	27	25	24	22	21	19	15	10	27-10	2	
4SSm8/7	4SS8/7	1.1	1.5		41	39	37	35	33	31	29	26	21	15	37-15		
4SSm8/10	4SS8/10	1.5	2		59	56	53	50	47	45	41	37	30	21	53-21		
4SSm8/12	4SS8/12	2.2	3		70	67	64	60	57	54	50	44	36	25	64-25		
-	4SS8/18	3	4		105	101	96	91	85	80	75	67	55	38	96-38		
-	4SS8/24	4	5.5		140	134	128	121	113	108	100	89	73	50	128-50		
-	4SS8/32	5	7.5		187	179	170	161	157	143	133	118	97	67	170-67		

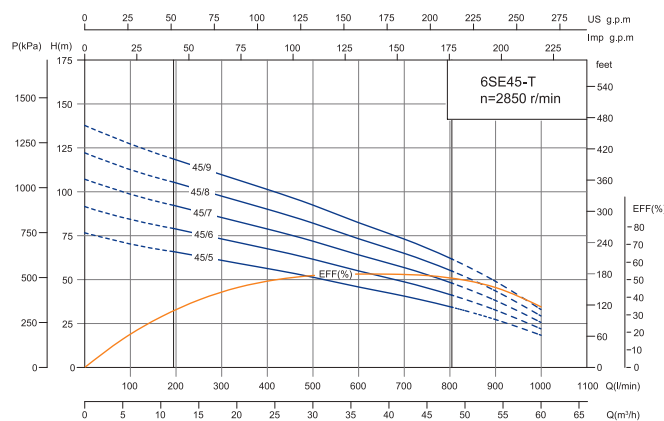
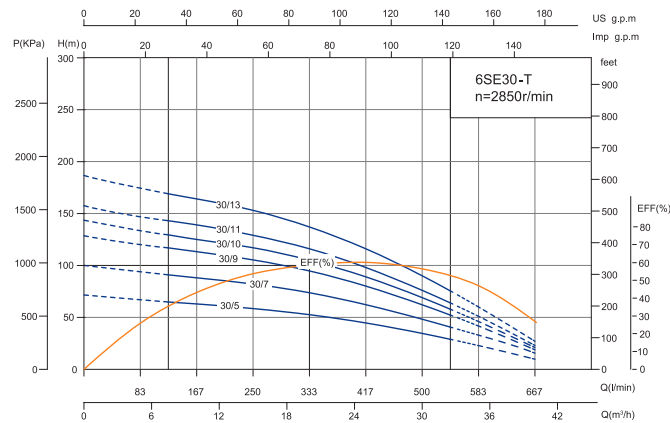
## 6" Deep Well Pumps 6SE(m)



Model	Power		Flow											Head Range (m)	Pipe Connection (DN) Inch
	kW	HP	m <sup>3</sup> /h l/min	0	2	4	6	8	10	12	14	16	18		
Three-Phase 400V				0	33	67	100	133	167	200	233	267	300		
6SE10/10T	5.5	7.5	H (m)	140	133	129	123	115	100	87	69	48	25	129-53	3
6SE10/14T	7.5	10		196	186	181	172	160	140	122	97	67	34	181-77	
6SE10/16T	9.2	12.5		224	213	206	197	183	160	139	110	77	39	210-97	
6SE10/20T	11	15		280	266	258	246	229	200	174	138	96	49	260-119	
6SE10/22T	13	17.5		308	293	284	197	252	220	202	169	127	54	290-137	
6SE10/26T	15	20		364	346	335	320	298	260	239	200	150	64	338-161	

Model	Power		Flow											Head Range (m)	Pipe Connection (DN) Inch
	kW	HP	m <sup>3</sup> /h l/min	0	3	6	9	12	15	18	21	24	27		
Three-Phase 400V				0	50	100	150	200	250	300	350	400	450		
6SE18/6T	5.5	7.5	H (m)	85	82	79	75	68	60	54	41	29	16	80-32	3
6SE18/9T	7.5	10		128	124	119	112	102	90	82	62	43	24	120-47	
6SE18/11T	9.2	12.5		156	151	145	137	125	110	100	76	53	29	146-58	
6SE18/13T	11	15		186	179	179	169	149	137	118	90	66	34	176-71	
6SE18/15T	13	17.5		213	205	198	188	170	150	135	103	73	37	199-79	
6SE18/18T	15	20		257	247	240	233	206	189	163	125	91	39	243-99	

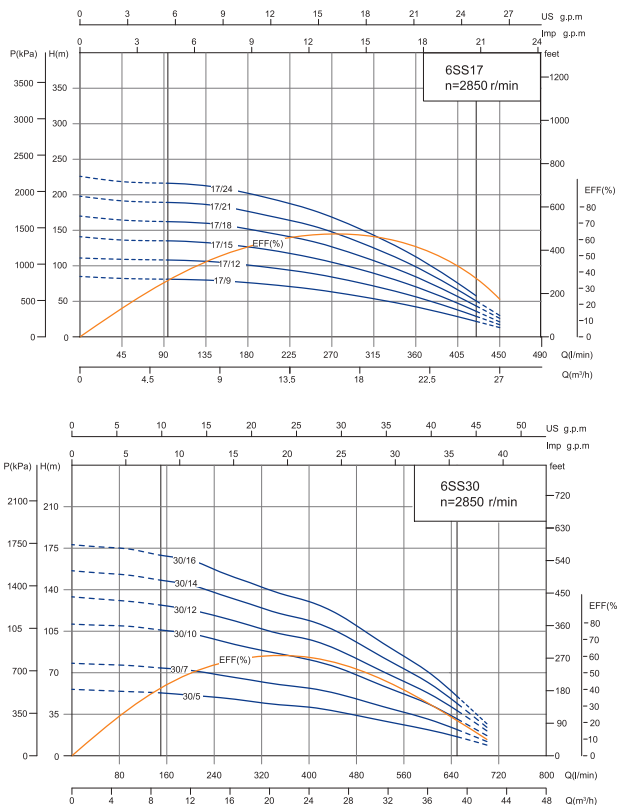
## 6" Deep Well Pumps 6SE(m)



Model	Power		Flow													Head Range (m)	Pipe Connection (DN) Inch
	kW	HP	m <sup>3</sup> /h l/min	0	5	10	15	20	25	30	35	40	18	300			
6SE30/5T	5.5	7.5	H (m)	72	68	64	59	53	45	35	23	10	25	65-29	3		
6SE30/7T	7.5	10		100	94	88	82	73	63	49	32	14	34	91-41			
6SE30/9T	9.2	12.5		129	121	113	105	95	80	63	42	19	39	117-52			
6SE30/10T	11	15		143	134	125	117	105	89	69	46	21	49	143-64			
6SE30/11T	13	17.5		157	147	139	129	116	98	76	51	23	54	169-75			
6SE30/13T	15	20		186	174	164	153	137	116	90	60	27	64	195-87			

Model	Power		Flow													Head Range (m)	Pipe Connection (DN) Inch
	kW	HP	m <sup>3</sup> /h l/min	0	6	12	18	24	30	36	42	48	54	60	1000		
6SE45/5T	7.5	10	H (m)	76	71	66	61	56	51	46	41	35	27	18	65-20	3	
6SE45/6T	9.2	12.5		92	85	79	73	68	62	55	49	42	33	22	78-25		
6SE45/7T	11	15		107	99	92	82	79	72	64	57	48	38	26	90-29		
6SE45/8T	13	17.5		122	113	105	98	90	82	73	65	55	44	29	103-33		
6SE45/9T	15	20		137	127	118	110	101	92	82	73	62	49	33	116-37		

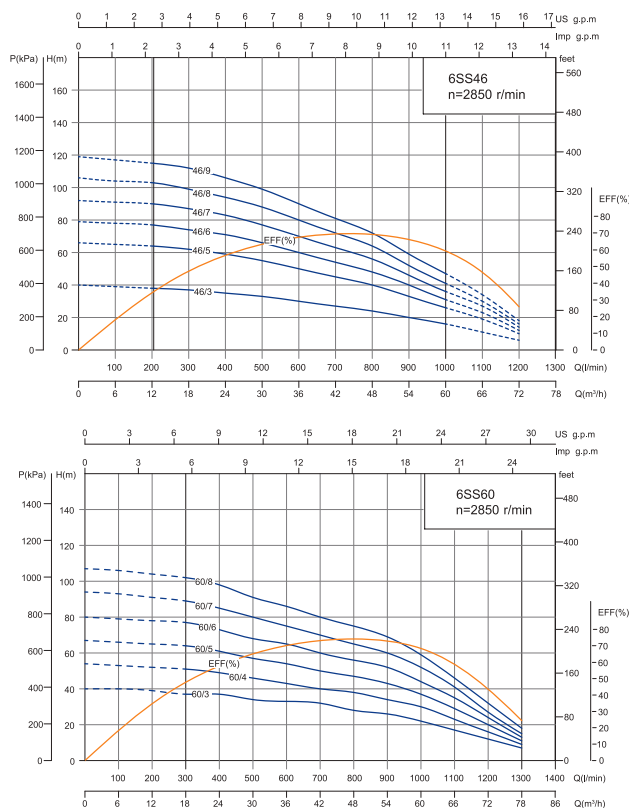
**6" Deep Well Pumps 6SS**



Model	Power		Flow	Head	Pipe Connection										
	kW	HP													
Three-Phase 400V			$m^3/h$	0	3	6	9	12	15	18	21	24	27	Range (m)	(DN) Inch
			l/min	0	50	100	150	200	250	300	350	400	450		
6SS17/9	5.5	7.5	H (m)	85	82	81	79	74	67	57	45	30	13	81-38	3
6SS17/12	7.5	10		111	109	108	105	98	89	76	60	40	17	108-50	
6SS17/15	9.2	12.5		141	136	135	131	123	111	95	75	50	21	135-63	
6SS17/18	11	15		170	164	162	158	147	134	114	90	60	26	162-76	
6SS17/21	13	17.5		198	191	189	184	171	156	133	105	70	30	189-88	
6SS17/24	15	20		226	218	216	210	196	178	152	120	80	34	216-101	

Model	Power		Flow	Head	Pipe Connection															
	kW	HP																		
Three-Phase 400V			$m^3/h$	0	3	6	9	12	15	18	21	24	27	30	33	36	39	42	Range (m)	(DN) Inch
			l/min	0	50	100	150	200	250	300	350	400	450	500	550	600	650	700		
6SS30/5	5.5	7.5	H (m)	56	55	54	53	51	49	46	43	41	37	32	27	22	16	9	53-16	3
6SS30/7	7.5	10		78	77	76	74	72	68	64	60	57	45	38	31	22	12	74-22		
6SS30/10	9.2	12.5		111	110	109	106	103	97	91	86	81	64	54	44	31	17	106-31		
6SS30/12	11	15		134	132	130	127	123	117	110	103	98	77	65	53	38	21	127-38		
6SS30/14	13	17.5		156	154	152	148	144	136	128	120	114	90	76	62	44	24	148-44		
6SS30/16	15	20		178	176	174	169	165	155	146	137	130	103	87	71	50	27	169-50		

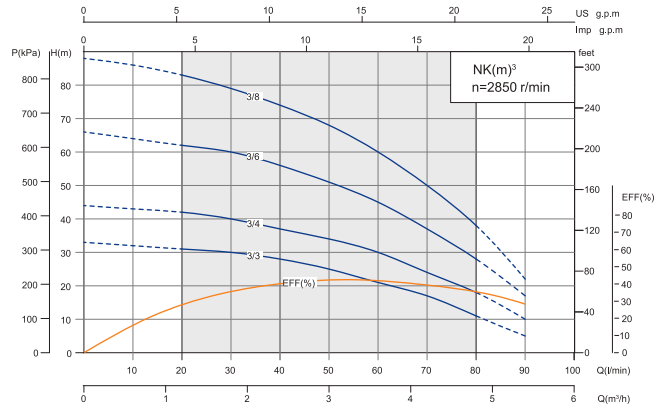
## 6" Deep Well Pumps 6SS



Model	Power		Flow														Head Range (m)	Pipe Connection (DN) Inch
	kW	HP	m³/h l/min	0	6	12	18	24	30	36	42	48	54	60	66	72		
6SS46/3	5.5	7.5	H (m)	40	39	38	37	35	33	30	27	24	20	16	11	6	38-16	3
6SS46/5	7.5	10		66	65	64	62	59	55	50	45	40	33	26	19	10	63-26	
6SS46/6	9.2	12.5		79	78	77	74	71	66	60	54	48	40	31	23	12	76-31	
6SS46/7	11	15		92	91	90	87	83	77	70	63	56	46	36	27	14	89-36	
6SS46/8	13	17.5		106	104	103	99	94	88	80	72	64	52	41	30	16	101-41	
6SS46/9	15	20		119	117	115	112	106	99	90	81	72	59	47	34	18	114-47	

Model	Power		Flow														Head Range (m)	Pipe Connection (DN) Inch
	kW	HP	m³/h l/min	0	6	12	18	24	30	42	48	54	60	66	72	78		
6SS60/3	5.5	7.5	H (m)	40	40	39	37	37	34	32	28	26	22	17	12	7	37-7	3
6SS60/4	7.5	10		54	53	52	51	49	46	40	38	34	30	23	16	9	51-9	
6SS60/5	9.2	12.5		67	66	65	64	61	57	50	47	43	37	29	20	11	64-11	
6SS60/6	11	15		80	79	78	77	73	68	60	56	52	44	35	24	13	77-13	
6SS60/7	13	17.5		94	93	91	89	85	80	70	65	60	52	41	27	15	89-15	
6SS60/8	15	20		107	106	104	102	98	91	80	75	69	59	46	32	18	102-18	

## Multi-stage Submersible Pumps NKm

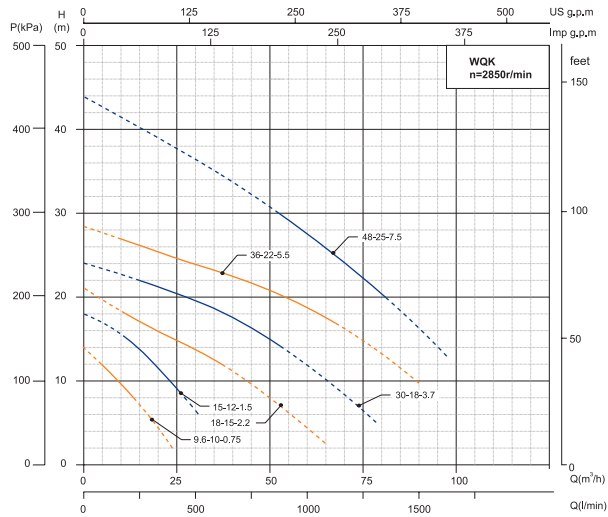


Model		Power		Flow											Head Range (m)	Pipe Connection (DN) Inch
Single-Phase 230V	Three-Phase 400V	kW	HP	m³/h	0	0.6	1.2	1.8	2.4	3	3.6	4.2	4.8	5.4		
NKm3/3	/	0.55	0.75	H (m)	33	32	31	30	28	25	21	17	11	5	31-11	1.25
NKm3/4	NK3/4	0.75	1		44	43	42	40	37	34	30	24	18	10	42-18	
NKm3/6	NK3/6	1.1	1.5		66	64	62	60	56	51	45	37	28	17	62-28	
NKm3/8	NK3/8	1.5	2		88	86	83	79	74	68	60	50	38	22	84-38	



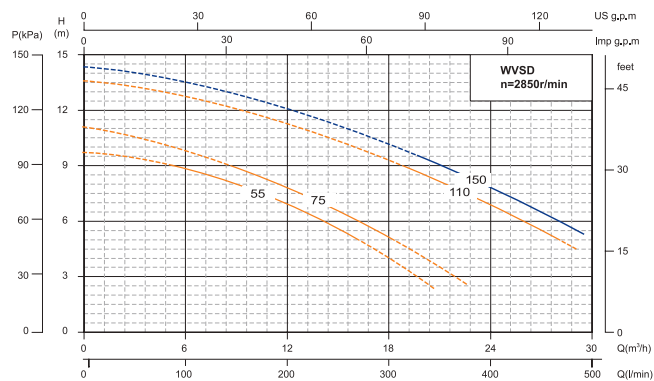
Motor type	Type	Rating (50 Hz, 2870RPM)				In A	Locked Rotor A	Eff %	Pf %	C		Thrust Load
		1/2	3/4	1	1.5					uf	Starting Capacitor	
4PN	4P0.37N	1/2	0.37	230	1	2.7	7.3	63	98	18	/	1500
	4P0.55N	3/4	0.55	230		3.8	11.2	68	98	25	/	
	4P0.75N	1	0.75	230		5.1	16.3	68	99	25	/	
	4P1.1N	1 1/2	1.1	230		7.1	21.2	70	99	35	/	
	4P1.5N	2	1.5	230		9.6	32.5	72	98	45	/	
4PD	4P0.37D	1/2	0.37	230	3	1.0	3.7	65	80	/	/	4000
	4P0.55D	3/4	0.55	230		1.5	6.4	70	77	/	/	
	4P0.75D	1	0.75	230		1.9	8.6	71	80	/	/	
	4P1.1D	1 1/2	1.1	230		2.7	13.6	74	79	/	/	
	4P1.5D	2	1.5	230		3.8	18.9	74	78	/	/	
	4P2.2D	3	2.2	230		5.2	26.3	76	81	/	/	
	4P0.37D	1/2	0.37	230		1.8	6.4	65	80	/	/	4000
	4P0.55D	3/4	0.55	230		2.5	11.0	70	77	/	/	
	4P0.75D	1	0.75	230		3.3	14.9	71	80	/	/	
	4P1.1D	1 1/2	1.1	400		4.7	23.6	74	79	/	/	
4P1.5D	2	1.5	400	6.6	32.7	74	78	/	/			
4P2.2D	3	2.2	400	9.0	45.5	76	81	/	/			
4PS	4P0.75S	1	0.75	400	1	5.5	30.4	67	94	25	150uf/330VAC	3000
	4P1.1S	1 1/2	1.1	400		7.8	37.5	68	95	35	200uf/330VAC	
	4P1.5S	2	1.5	400		10.5	52.7	70	94	40	250uf/330VAC	

### WQK Submersible Sewage Pump WQK



Model	Power		Max. Flow (m <sup>3</sup> /h)	Max. Head (m)	Head Range (m)	Rate Current (A)	Solids Passage (mm)	Cable line (m)
	Three-Phase 400V kW	HP						
WQK9.6-10-0.75	0.75	1	24	14	8-12	2	20	4*0.75-6
WQK15-12-1.5	1.5	2	31	18	9-15	3.6	20	4*1-6
WQK18-15-2.2	2.2	3	65	21	12-18	5.1	20	4*1-6
WQK30-18-3.7	3.7	5	78	24	14-22	8.2	30	4*1.5-6
WQK36-22-5.5	5.5	7.5	90	29	17-27	11.7	30	4*1.5-6
WQK48-25-7.5	7.5	10	97	34	20-30	15.7	30	4*2.5-6

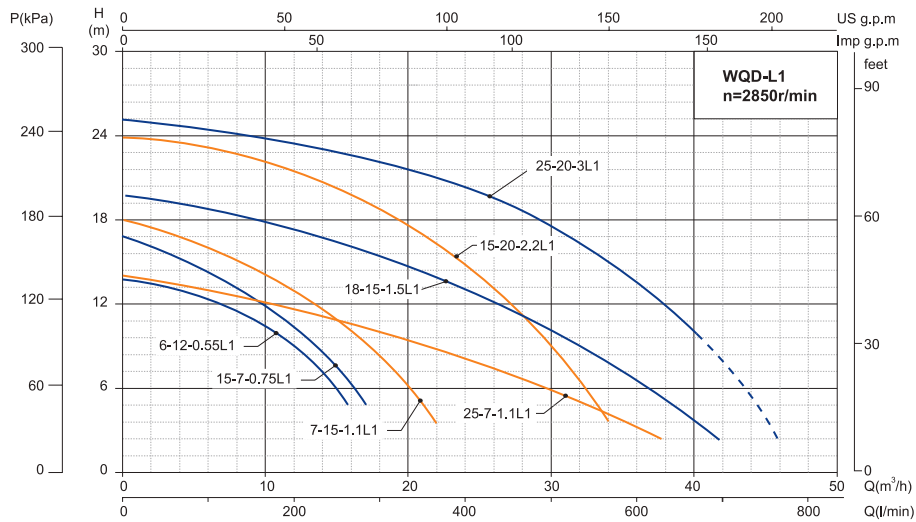
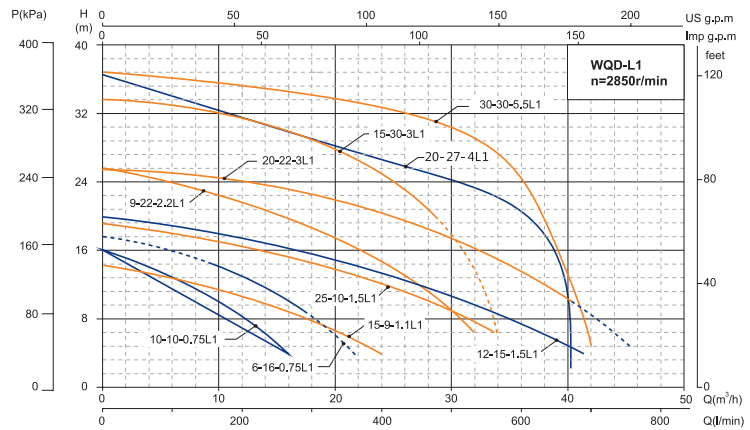
### WVS(D) Submersible Sewage Pump WVS(D)



Model	Power		Max. Flow (m <sup>3</sup> /h)	Max. Head (m)	Head Range (m)	Rate Current (A)	Solids Passage (mm)	Cable line (m)	
	Single-Phase 230V	Three-Phase 400V kW							HP
WVSD55F	-	0.55	0.75	18	10	5-9	4.1	40	3*0.75-5
WVSD75F	-	0.75	1	21	12	5-9	5.2	40	3*1-5
WVSD110F	-	1.1	1.5	27	13	5-9	7.3	40	3*1.5-5
WVSD150F	-	1.5	2	30	14	5-9	9.5	40	3*1.5-5
-	WVS75	0.75	1	21	12	5-9	2	40	4*0.75-5
-	WVS110	1.1	1.5	27	12	5-9	2.7	40	4*0.75-5
-	WVS150	1.5	2	30	14	5-9	3.6	40	4*0.75-5

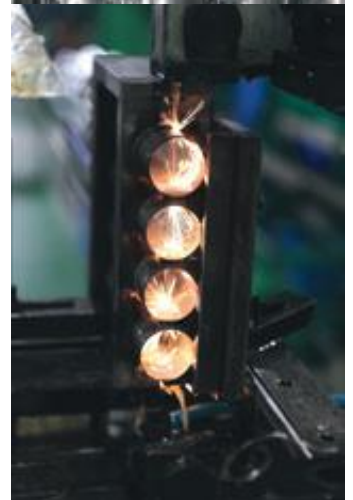


**WQ(D)-L1 Submersible Sewage Pump WQ(D)**



Model		Power		Max. Flow	Max. Head	Head Range	Rate Current	Solids Passage	Cable line
Single-Phase 230V	Three-Phase 400V	kW	HP	(m³/h)	(m)	(m)	(A)	(mm)	(m)
WQD10-10-0.75L1	-	0.55	0.75	16	16	0-16	5.2	20	3*0.75-8
WQD7-15-1.1L1	-	1.1	1.5	22	18	3-18	7.3	20	3*1-8
-	WQ10-10-0.75L1	0.75	1	16	16	0-16	2	20	4*0.75-8
-	WQ12-15-1.5L1	1.5	2	41	20	0-20	3.6	20	4*0.75-15
-	WQ15-20-2.2L1	2.2	3	34	24	0-24	5.1	20	4*1-15
-	WQ20-22-3L3	3	4	45	28	10-28	6.7	25	3*1.5+1*1-8

## High Quality Production



## Strict Quality Control





AP37



AP



AP37L1/K1



### Performance Range

- Max. Flow: 3.6m<sup>3</sup>/h
- Max. Head: 60m

### Application Limits

- Suction head up to 8m
- Liquid temperature up to +40°C
- Ambient temperature up to +40°C
- Max. Working pressure: 6bar
- Voltage fluctuation should not exceed 10% of rated value.
- pH: 6.5 to 8.5

### Certificate



### Applications Fields

- Suitable for transferring water without abrasive particles or other liquid whose properties are similar to water.
- Widely used in garden irrigation, vegetable greenhouse water supply, breeding industry water supply and drainage, various corollary equipment, etc.

### Features

- Small size, high pressure
- Easy installation & maintenance
- Stainless Steel Inserts

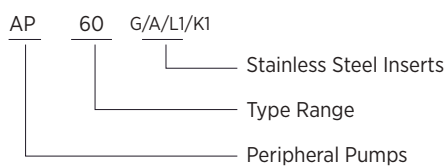
### Motor

- Single-Phase 230V/50Hz
- Motor: 2 pole asynchronous motor, copper wires, built-in thermal protector, fully closed fan cooling, continuous running
- Protection: IP44
- Insulation: Class B

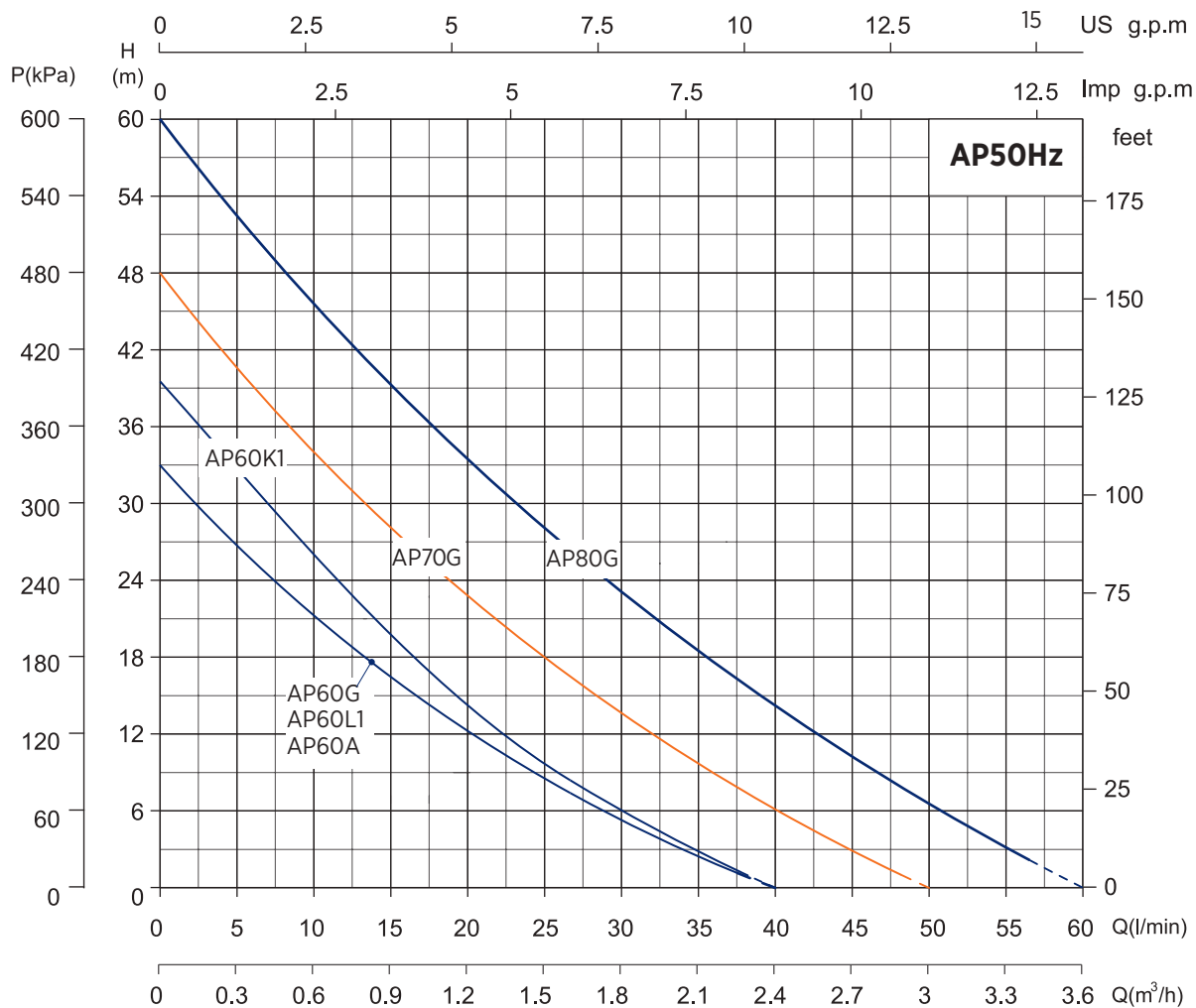
### Optional Available on Request

- 304 stainless steel welding shaft
- Electrophoretic pump body and connections
- Stainless steel insert
- NSK bearing
- Motor whose insulation class is F
- Other voltage or frequency is 60Hz

### Model Instruction



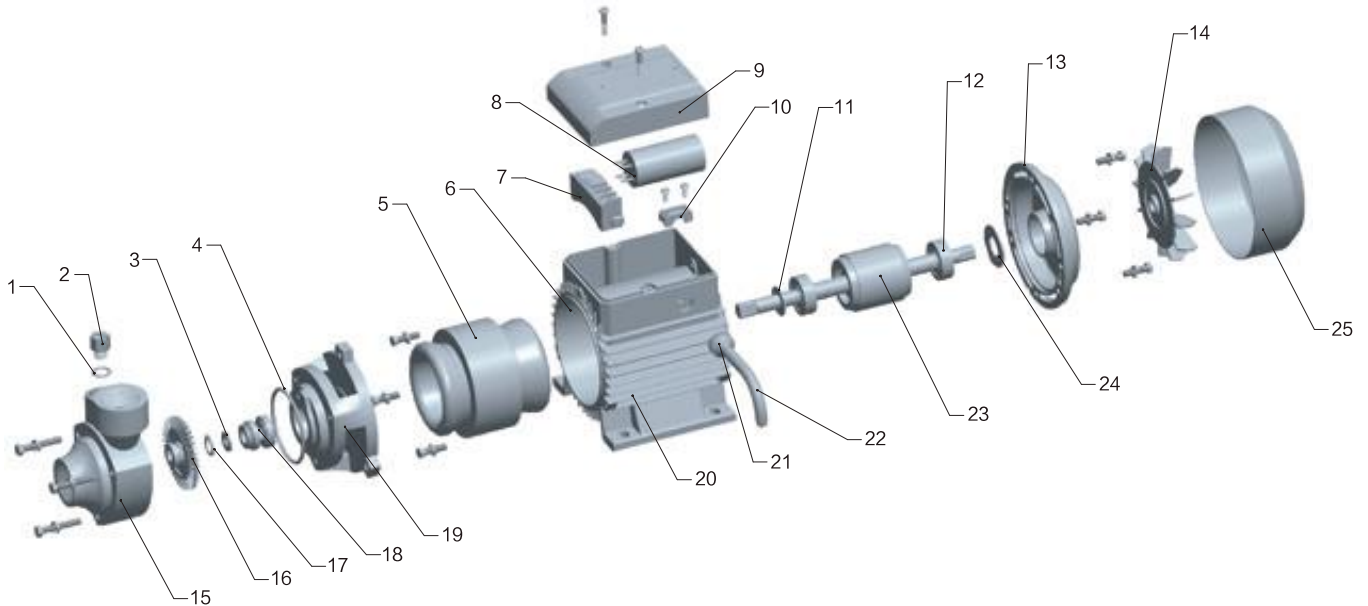
## Performance Curve



Model	Power		Max. Flow (m <sup>3</sup> /h)	Max. Head (m)	Head Range (m)	Max. Suction (m)
	kW	HP				
Single-Phase 230V						
AP60G	0.37	0.5	2.4	33	1-27	8
AP70G	0.55	0.75	3	48	1.5-44	8
AP80G	0.75	1	3.6	60	2.5-53	8
AP60L1	0.37	0.5	2.4	33	1-27	8
AP60K1	0.37	0.5	2.4	40	1.5-30	8
AP60A	0.37	0.5	2.4	33	1-27	8

Note: The length of cable is 0.3m, no plug.

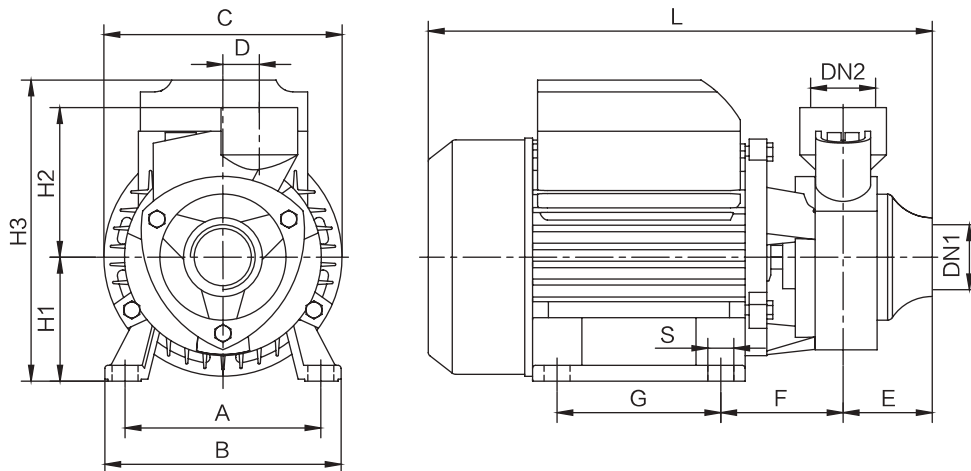
## Components & Materials



No.	Component	No.	Component	No.	Component
1	O-ring	10	Cable Control Cover	19	Coupling
2	Air Faucet	11	Waterproof Ring	20	Motor Case
3	Washer	12	Bearing	21	Cable Sleeve
4	O-ring	13	End Cover	22	Cable
5	Stator	14	Fan	23	Rotor
6	Motor Housing	15	Pump Body	24	Wave Spring
7	Terminal Board	16	Impeller	25	Fan Cover
8	Capacitor	17	Shaft Circlip		
9	Terminal Block Cover	18	Mechanical Seal		

NO.	Model	AP60G	AP60L1	AP60K1	AP70G	AP80G	AP60A
8	Capacitor(μF)	8 μF/450V	10 μF/450V	10 μF/450V	12 μF/450V	15 μF/450V	10 μF/450V
12	Bearing	6201-2RZ			6202-2RZ		
	Motor Shaft	Steel 45#					
18	Mechanical Seal	103-12/20.5 B:A(P)				301-12/21 B:A (P)	
		A:Graphite B: Ceramic P:NBR					
20	Motor Case	Aluminum					
19	Coupling	Cast iron					
15	Pump Body	Cast iron					
16	Impeller	Brass					

## Dimensions & Weight



Model	DN1	DN2	Dim.(mm)											N.W. (kg)	
			(Inch)		A	B	C	D	E	F	G	L	S		H1
AP60G	1	1	100	120	121	16	45	64	80	258	7	63	75	150	4.8
AP60L1	1	1	93	115	115	15	33.5	64	58	223	7	60	68	148	4.0
AP60K1	1	1	93	115	115	15	33.5	64.5	58	223.5	7	60	68	148	4.4
AP70G	1	1	112	137	137	18	49.5	78.5	88	294	7	72	85	181	8
AP80G	1	1	112	137	137	20	60	80	88	305	7	72	84.5	181	9.5
AP60A	1	1	97	120	120	15	41.5	68	58	247.5	7	62	68	152	4.3

## Packing Size & Weight

Model	Dim.(L×W×H) mm	G.W. (kg)	Dim. For outer packing (L×W×H) mm	G.W. (kg)	Packing Qty. (pcs)	20'Loading Qty. (pcs)
AP60G	280×140×170	5	440×290×360	31	6	3660
AP60L1	235×135×175	4.3	425×245×375	26.6	6	4320
AP60K1	235×135×175	4.7	425×245×375	29	6	4320
AP70G	335×190×210	8.5	395×345×225	17.5	2	2100
AP80G	345×190×210	10	395×350×225	20.5	2	2000
AP60A	270×145×177	4.5	455×280×375	27.5	6	3540





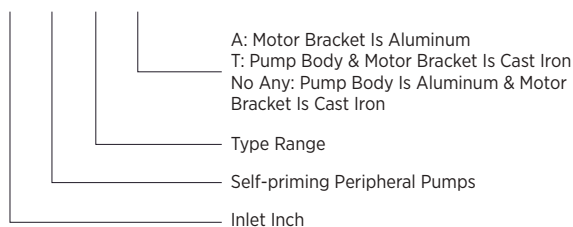
APS



APS-T

### Model Instruction

1 APS 35 □



### Performance Range

- Max. Flow: 6m<sup>3</sup>/h
- Max. Head: 55m

### Application Limits

- Suction head up to 8m
- Liquid temperature up to +60°C
- Ambient temperature up to +40°C
- Max. Working pressure: 6bar
- Voltage fluctuation should not exceed 10% of rated value.
- pH: 6.5 to 8.5

### Certificate



### Applications Fields

- Suitable for transferring water without abrasive particles or other liquid whose properties are similar to water.
- Widely used in well water lifting, water tower water supply, living water supply, automatic irrigation system, small air conditioning system, various corollary equipment, etc.

### Features

- Self-priming pump
- Bulid-in one-way valve
- Add the impeller axial direction contact surface, stainless steel 304 inserts

### Motor

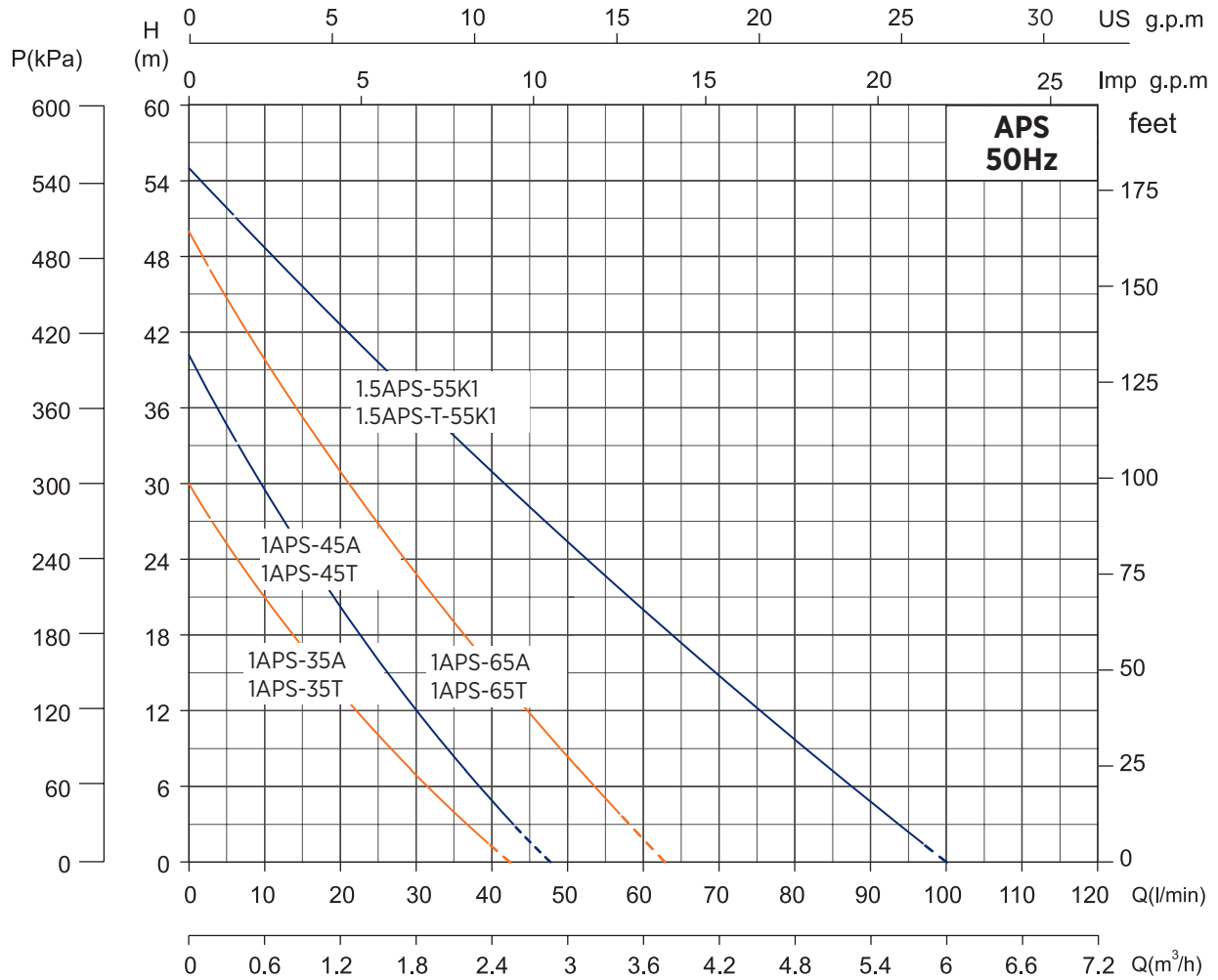
- Single-Phase 230V/50Hz
- Three-Phase 400V/50Hz
- Motor: 2 pole asynchronous motor, copper wires, built-in thermal protector, fully closed fan cooling, continuous running
- Protection: IP44
- Insulation: Class B

### Optional Available on Request

- 304 stainless steel welding shaft
- Electrophoretic pump body and connections
- NSK bearing
- Motor whose insulation class is F
- Other voltage or frequency is 60Hz



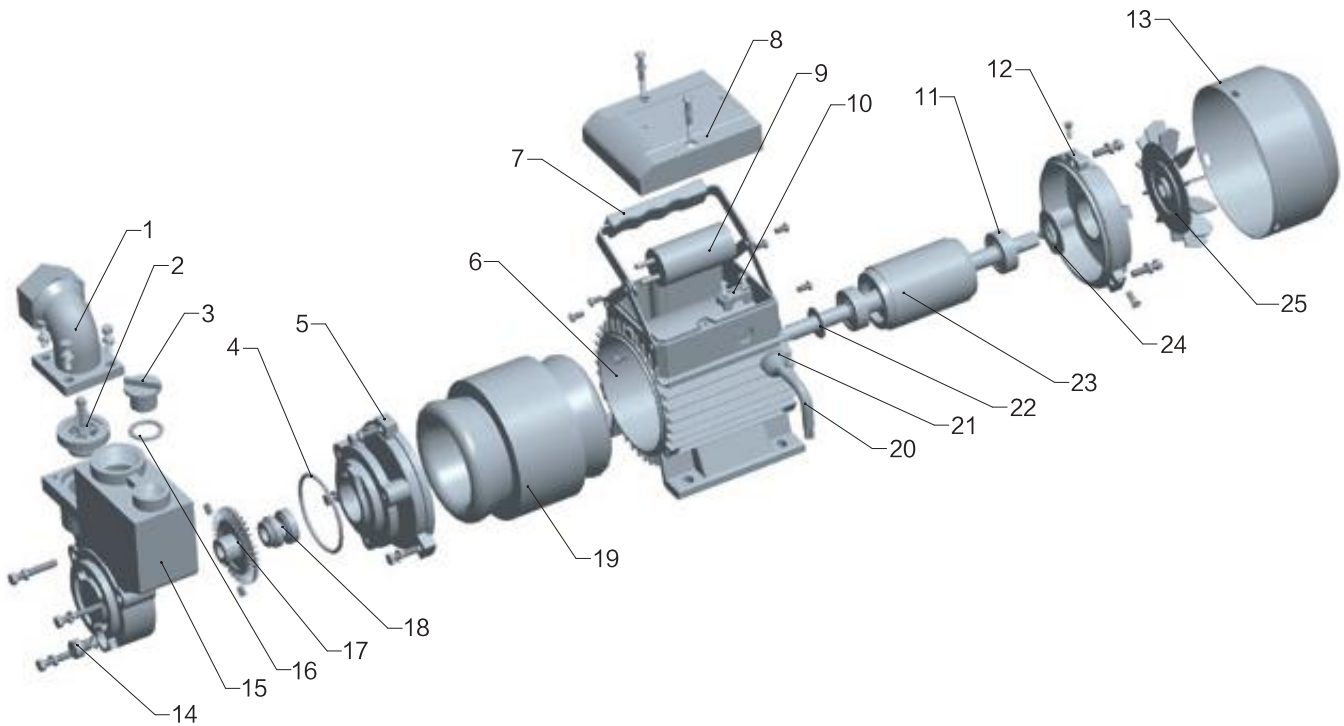
## Performance Curve



Model		Power		Max. Flow (m³/h)	Max. Head (m)	Head Range (m)	Max. Suction (m)
Single-Phase 230V	Three-Phase 400V	kW	HP				
1APS-35A	-	0.37	0.5	2.7	30	1-27	8
1APS-45A	-	0.55	0.75	3.3	40	3-33	8
1APS-65A	-	0.75	1	3.9	50	3.5-47	8
1APS-35T	-	0.37	0.55	2.7	30	1.5-27	8
1APS-45T	-	0.55	0.75	3.3	40	3-33	8
1APS-65T	-	0.75	1	3.9	50	4.5-47	8
1.5APS-55K1	1.5APS-T-55K1	1.1	1.5	6	55	1-51	8

Note: The length of single phase pump cable is 1.3m, Europe plug; three-phase pump no plug.

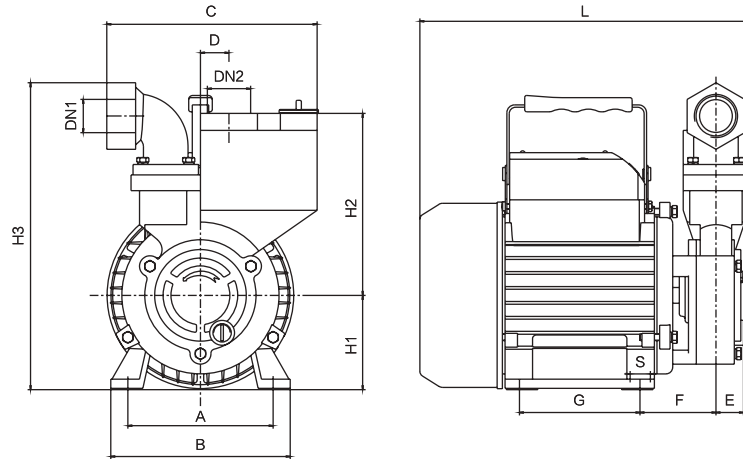
## Components & Materials



No.	Component	No.	Component	No.	Component
1	Inlet Pipe	10	Cable Control Cover	19	Stator
2	Check Valve	11	Bearing	20	Cable
3	Air Faucet	12	End Cover	21	Cable Sleeve
4	O-ring	13	Fan Cover	22	Waterproof Ring
5	Coupling	14	Air Faucet	23	Rotor
6	Motor Case	15	Pump Body	24	Wave Spring
7	Handle	16	O-ring	25	Fan
8	Terminalblock Cover	17	Impeller		
9	Capacitor	18	Mechanical Seal		

NO.	Model	1APS-35A	1APS-45A	1APS-65A	1APS-35T	1APS-45T	1APS-65T	1.5APS-55K1	1.5APS-T-55K1	
9	Capacitor	10 μF/450V	12 μF/450V	15 μF/450V	10 μF/450V	12 μF/450V	15 μF/450V	25 μF/450V		
11	End-cover Bearing	6201-2RZ	6202-2RZ		6201-2RZ	6202-2RZ		6203-2RZ		
	Coupling Bearing	6201-2RZ	6202-2RZ		6201-2RZ	6202-2RZ		6204-2RZ		
	Motor Shaft	Steel 45#								
18	Mechanical Seal	301-12/21 S:A (P) Stationary seal ring ø26						108-14/25 S:A (P) Stationary seal ring ø28		
		S:RBSC A:Graphite P:NBR								
6	Motor Case	Aluminum			Cast iron					
5	Coupling	Cast iron								
15	Pump Body	Cast iron								
17	Impeller	Brass								

## Dimensions & Weight



Model		DN1	DN2	Dim.(mm)											N.W. (kg)
Single-Phase	Three-Phase	(Inch)		A	B	C	D	E	F	G	L	H1	H2	H3	
1APS-35A	-	1	1	100	120	164	20.5	18	54.5	80	231	33	137	218	7
1APS-45A	-	1	1	110	137	161.5	22	19	58	92	251	72	139	234	9
1APS-65A	-	1	1	110	137	167	22.5	19.5	60	92	252	72	143	238	10.5
1APS-35T	-	1	1	95	120	167	20.5	18	64	70	231	63	136	218	9
1APS-45T	-	1	1	110	135	166.5	22.5	19	66.5	75	250	75	146	237	11.5
1APS-65T	-	1	1	110	135	169.5	22.5	17.5	68.5	75	252	75	142	241	14
1.5APS-55K1	1.5APS-T-55K1	1.5	1.5	114	136	198.5	31	16.5	87.5	101	286	80	168	278	18/18.5

## Packing Size & Weight

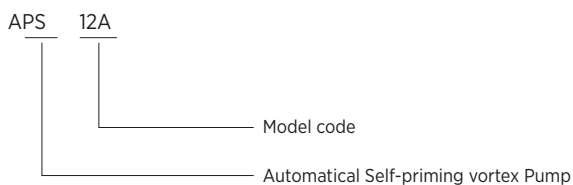
Model		Dim.(L×W×H) mm	G.W. (kg)	Dim. For outer packing (L×W×H) mm	G.W. (kg)	Packing Qty. (pcs)	20'Loading Qty. (pcs)
Single-Phase	Three-Phase						
1APS-35A	-	270×180×235	7.5	375×280×250	15.5	2	2340
1APS-45A	-	285×185×260	9.5	385×295×275	19.5		2048
1APS-65A	-	285×185×260	11	385×295×275	22.5		2048
1APS-35T	-	275×200×260	9.5	415×285×275	19.5		1904
1APS-45T	-	285×205×275	12	425×295×290	24.5		1744
1APS-65T	-	285×205×275	14.5	425×295×290	29.5		1744
1.5APS-55K1	1.5APS-T-55K1	310×215×305	18.5/19	310×215×305	18.5/19	1	1470





APS-A

## Model Instruction



## Performance Range

- Head up to 50 m
- Flow rate up to 3.4m<sup>3</sup>/h

## Application Limits

- Suction lift up to 8 m
- Max. working pressure 5 bar
- Liquid temperature up to +90°C
- Ambient temperature up to +40°C
- Voltage fluctuations should not exceed 10% of rate value

## Certificate



## Applications Fields

- Suitable for use with clean water that does not contain abrasive particles or other similar water of liquid.
- Widely used domestic water, automatic boosting, water tower supply, well water lifting, solar hot water boosting.

## Features

- Compact design, easy installation
- A simple Pressure switch control automatically
- Pump body insert of stainless sheet 304
- Shaft extension is stainless steel 304
- The impeller of copper alloy
- High quality mechanical seal

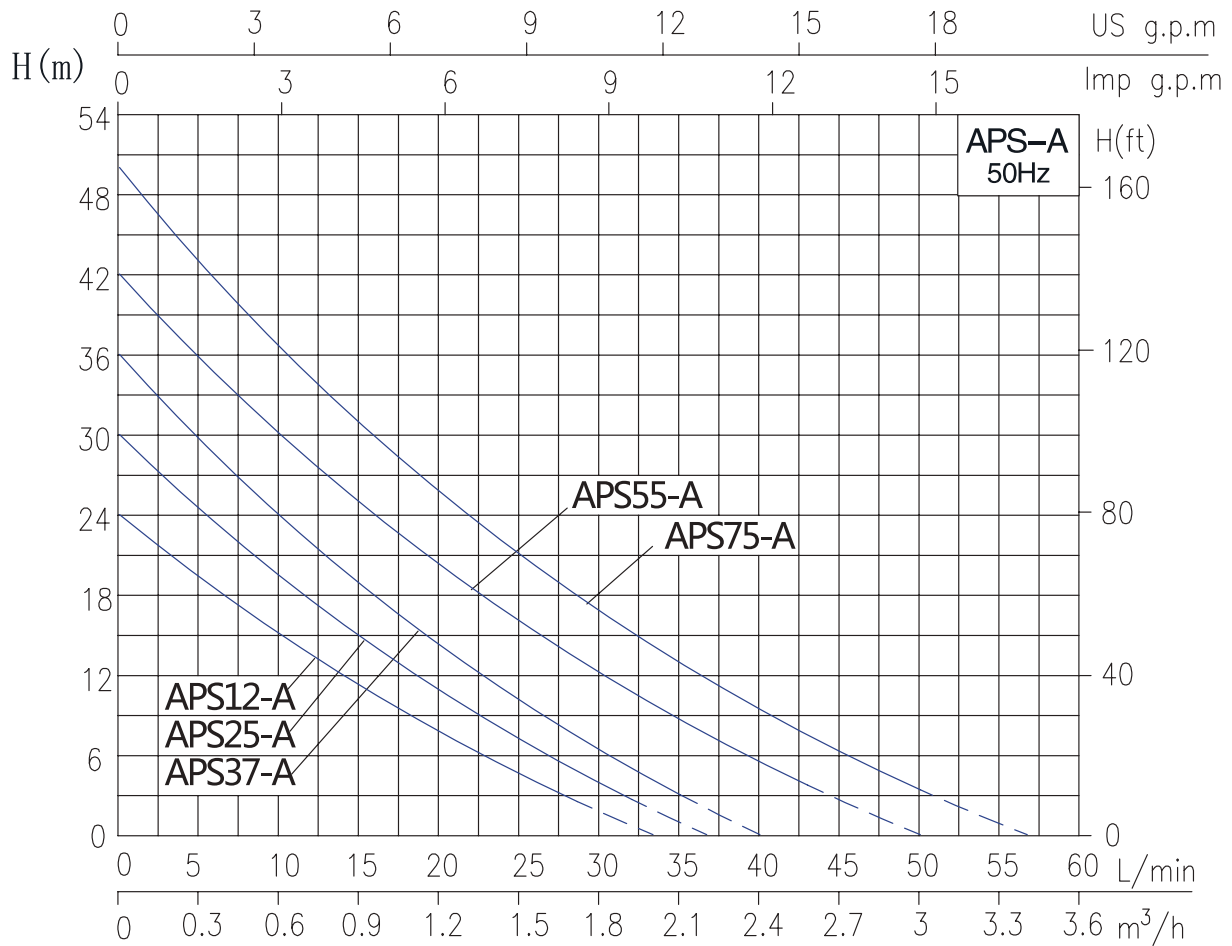
## Motor

- Single phase motor, copper wires, built-in thermal protector, fully enclosed motor shell
- Continuous service S1
- IPX4 class protection
- Class B insulation

## Optional Available on Request

- NSK bearing
- Class F insulation

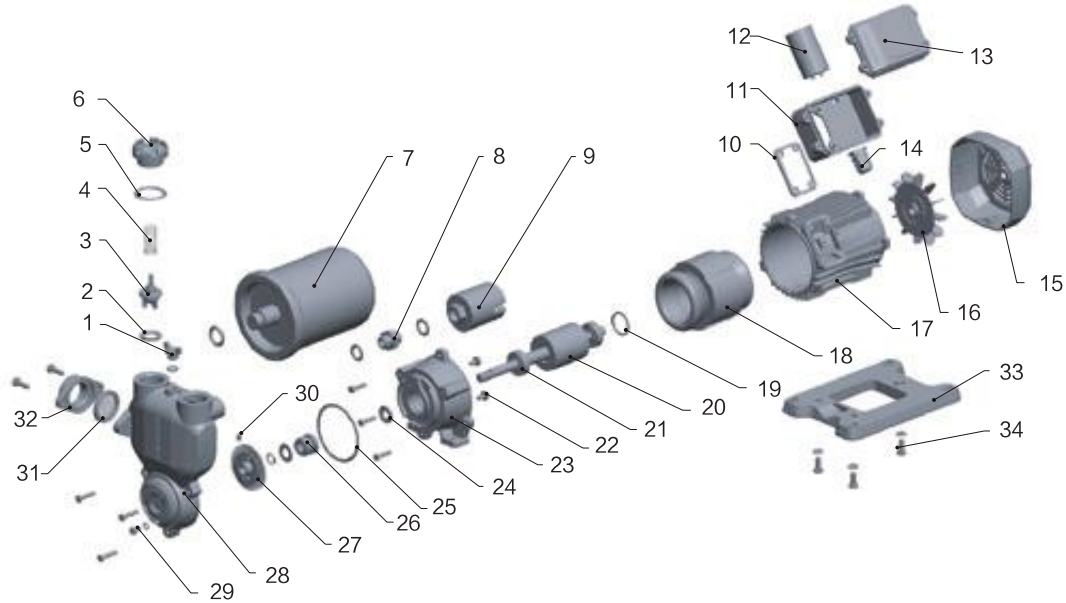
## Performance Curve



Model	Power		Max. Flow (m <sup>3</sup> /h)	Max. Head (m)	Head Range (m)	Max. Suction (m)
	kW	HP				
APS12-A	0.125	0.17	2	24	1-20	8
APS25-A	0.25	0.34	2.2	30	1-26	8
APS37-A	0.37	0.5	2.4	36	1-32	8
APS55-A	0.55	0.75	3.0	42	1.5-38	8
APS75-A	0.75	1	3.4	50	1.5-46	8

Note: The cable length of single phase pump is 1.3m, Europe plug.

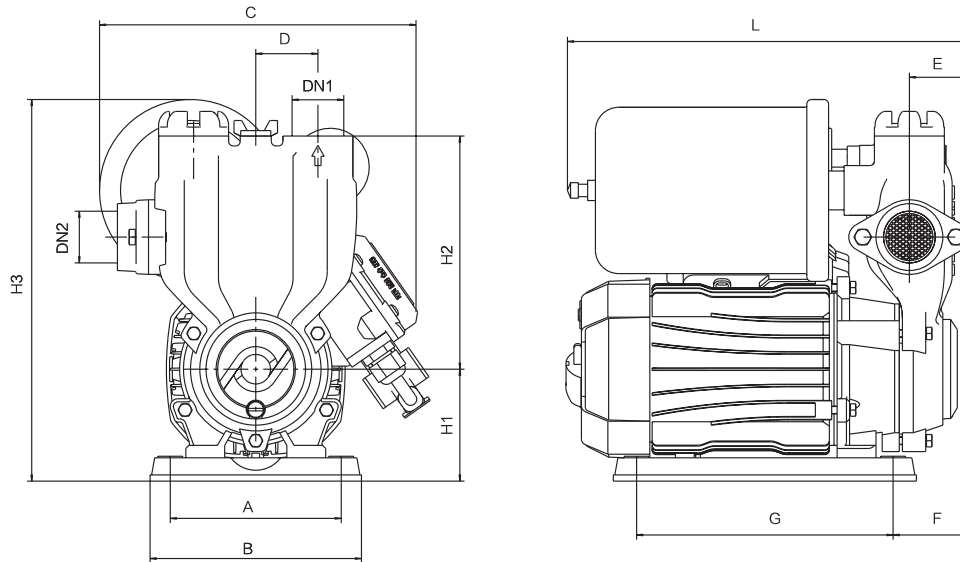
## Components & Materials



No.	Component	No.	Component	No.	Component
1	Water filling faucet	13	Terminal box cover	25	O-ring
2	Robber gasket	14	Cable locker	26	Mechanical seal
3	Check valve	15	Fan cover	27	Impeller
4	Spring	16	Fan	28	Pump body
5	Rubber pad	17	Motor shell	29	Drain screw
6	Check valve seat	18	Stator core	30	Set screw
7	Pressure tank	19	Waved spring	31	Filter
8	Connector	20	Rotor	32	Inlet pipe
9	Pressure switch	21	Bearing	33	Foundation
10	Rubber pad	22	Combined screw	34	Bolt
11	Terminal box	23	Coupling		
12	Capacitor	24	Water deflector		

NO.	Model	APS12-A	APS25-A	APS37-A	APS55-A	APS75-A
1	Capacitor(μf)	10μF/450V	10μF/450V	10μF/450V	12μF/450V	18μF/450V
2	Fore Bearing	6201-2RZ	6201-2RZ	6201-2RZ	6202-2RZ	6202-2RZ
3	Back Bearing	6201-2RZ	6201-2RZ	6201-2RZ	6202-2RZ	6202-2RZ
4	Shaft Extension	304+Steel 45#				
5	Mechanical Seal	301-12/21 B:A (PC) Φ26	301-12/21 B:A (PC) Φ26	301-12/21 B:A (PC) Φ26	301-12/21 B:A (PC) Φ26	301-12/21 B:A (PC) Φ26
		A: Graphite, B:Alumina ceramic,P:NBR,C:stainless steel (06Cr19Ni10)				
6	Motor Shell	Aluminium				
7	Couping	Cast iron				
8	Pump Body	Cast iron				
9	Impeller	Brass				

## Dimensions & Weight



Model	DN1	DN2	Dim.(mm)											N.W. (kg)
	(Inch)		A	B	C	D	E	F	G	L	H1	H2	H3	
APS12-A	3/4	3/4	110	136	204	46	39	49.5	165	259	72	150	245.5	7.8
APS25-A	1	1	110	136	204	40	39	49.5	165	259	72	150	245.5	8.5
APS37-A	1	1	110	136	204	40	39	49.5	165	259	72	150	245.5	8.8
APS55-A	1	1	132	160	212	50	39	41.5	190	268	84	170	285	11.4
APS75-A	1	1	132	160	212	50	39	41.5	190	268	84	170	285	13.1

## Packing Size & Weight

Model	Dim.(L×W×H) mm	G.W. (kg)	20'Loading Qty. (pcs)
APS12-A	295x230x300	8.3	1600
APS25-A		9.0	
APS37-A		9.3	
APS55-A	315×245×325	12.1	1320
APS75-A		13.8	

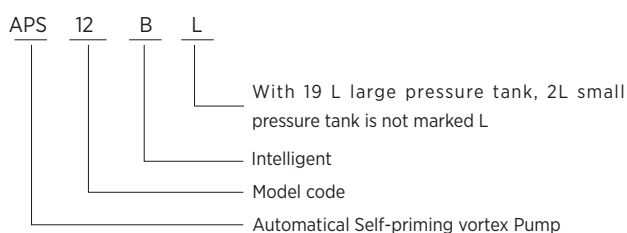




APS-B



## Model Instruction



## Performance Range

- Head up to 55 m
- Flow rate up to 6m<sup>3</sup>/h

## Application Limits

- Suction lift up to 8 m
- Max. working pressure 5 bar
- Liquid temperature up to +90°C
- Ambient temperature up to +40°C
- Voltage fluctuations should not exceed 10% of rate value

## Certificate



## Applications Fields

- Suitable for use with clean water that does not contain abrasive particles or other similar water of liquid.
- widely used domestic water, automatic boosting, water tower supply, well water lifting, solar hot water boosting.

## Features

- Compact design, easy installation
- Pressure and flow switch control automatically
- Pump body insert of stainless sheet 304
- Shaft extension is stainless steel 304
- The impeller of copper alloy
- High quality mechanical seal
- Intelligent control: Pump can supply stabilized water flow by automatically running. Through the water flow and water pressure data collected by flow switch and pressure switch, electronic unit control the pump running/stop, solve the frequently starting problems under low water flow, and completely inhibit frequently starting if water flows lower than 0.3m<sup>3</sup>/h.
- Time delay start: 3-seconds delay on startup to prevent electric transient surge
- Dry-Run protection: Pump shut down if no water flows past pump inlet after running 6 minutes, when there is water flow past pump inlet, pump restart.
- Scale prevention: Pump will automatically run 10 seconds for scale prevention once per 3 days among outage period.
- Electronic switch: Long service life, and eliminate the "da da" noise caused by mechanical pressure switch
- Pump body internal enamel processing(PW1100Z and PW1100ZL pump body electrophoresis treatment)

## Motor

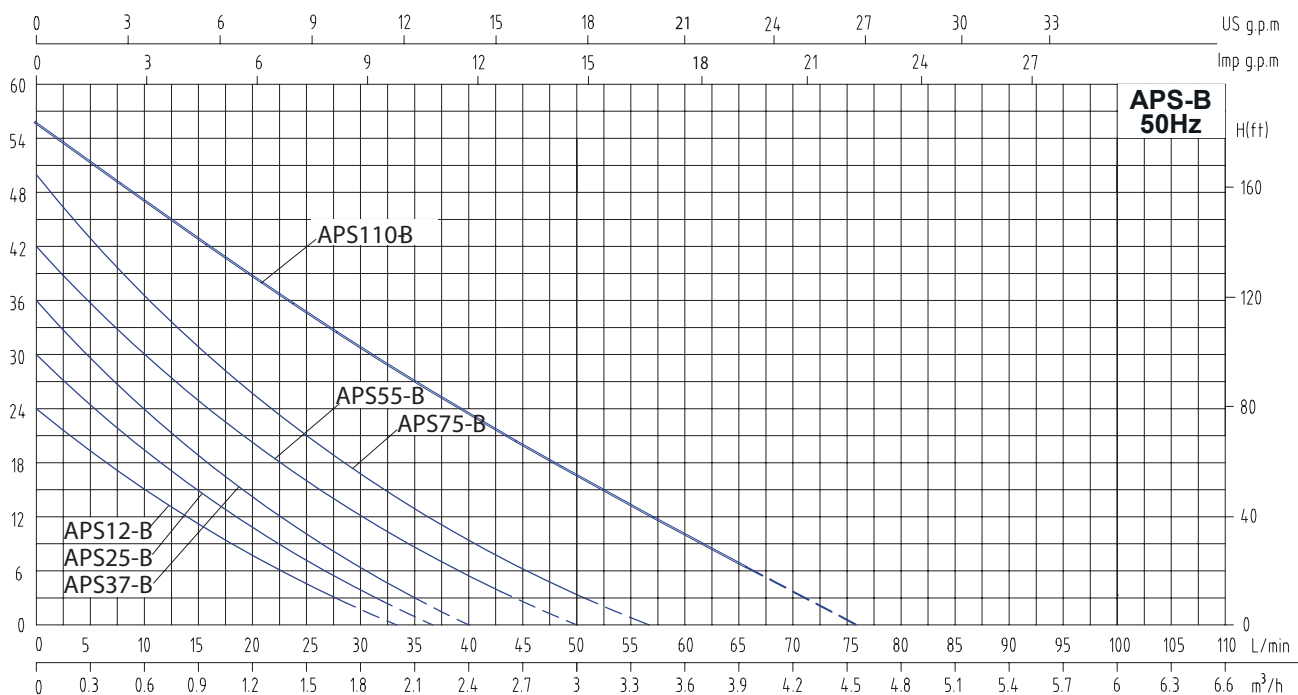
- Single phase motor, copper wires, built-in thermal protector, fully enclosed motor shell
- Continuous service S1
- IPX4 class protection
- Class B insulation

## Optional Available on Request

- NSK bearing
- Class F insulation



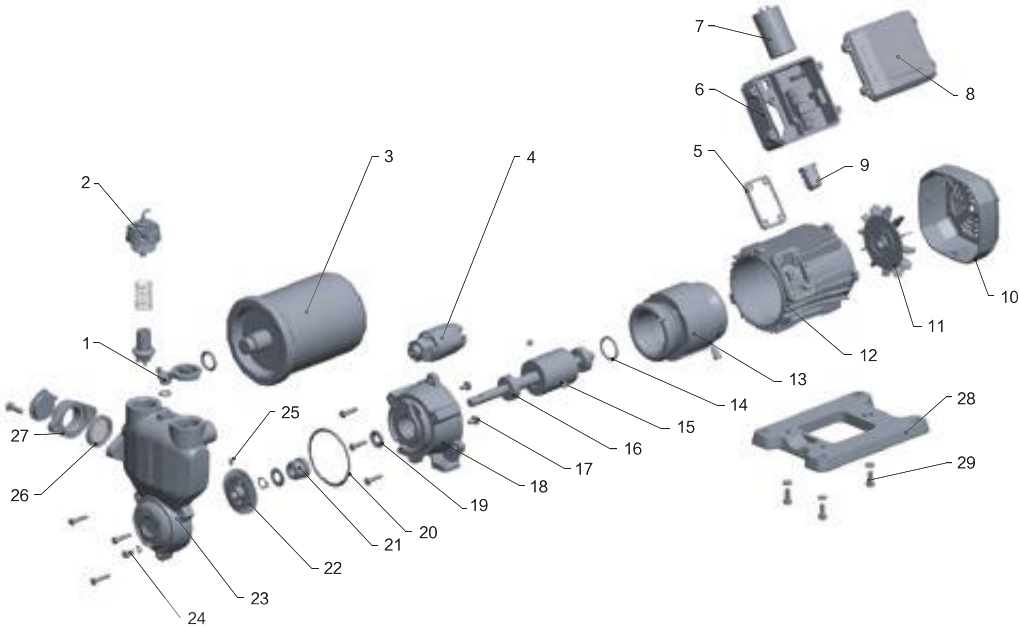
## Performance Curve



Model	Power		Max. Flow (m <sup>3</sup> /h)	Max. Head (m)	Head Range (m)	Max. Suction (m)
	kW	HP				
APS12-B	0.125	0.17	2	24	1-20	8
APS25-B	0.25	0.34	2.2	30	1-26	8
APS37-B	0.37	0.5	2.4	36	1-32	8
APS55-B	0.55	0.75	3.0	42	1.5-38	8
APS75-B	0.75	1	3.4	50	1.5-46	8
APS110-B	1.1	1.5	6	55	1.5-51	8
APS110-BL	1.1	1.5	6	55	1.5-51	8

Note: The cable length of single phase pump is 1.3m, Europe plug.

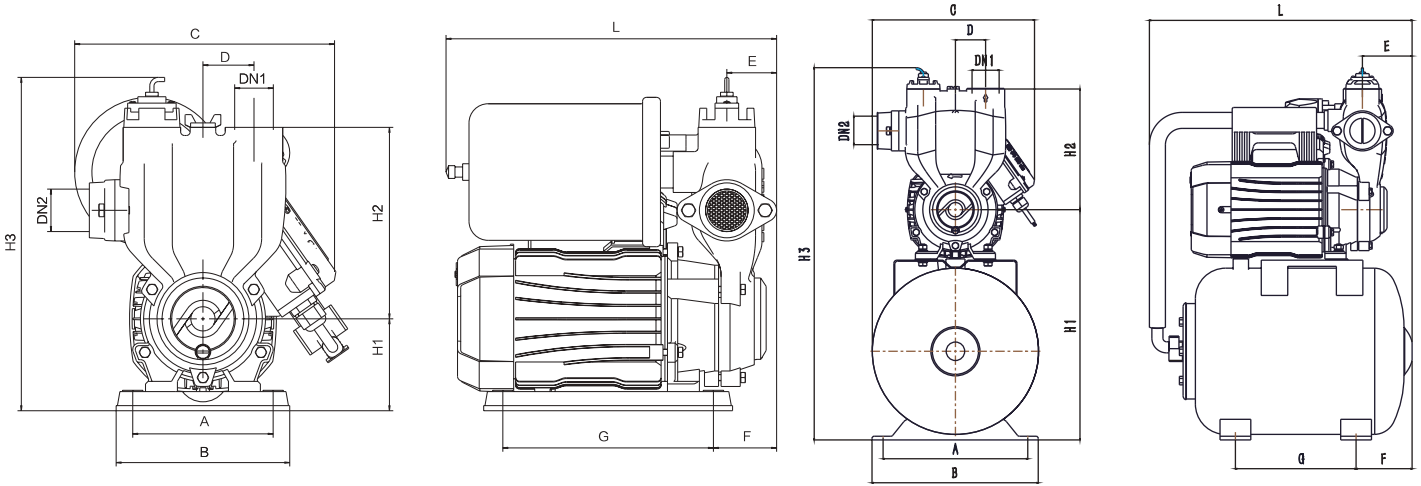
## Components & Materials



No.	Component	No.	Component	No.	Component
1	Water filling faucet	11	Fan	21	Mechanical seal
2	Flow switch	12	Motor shell	22	Impeller
3	Pressure tank	13	Stator core	23	Pump body
4	Pressure switch	14	Waved spring	24	Set screw
5	Robber gasket	15	Rotor	25	Drain screw
6	Controller	16	Bearing	26	Filter
7	Capacitor	17	Bolt	27	Inlet pipe
8	Terminal box cover	18	Coupling	28	Foundation
9	Cable locker	19	Water deflector	29	Bolt
10	Fan cover	20	O-ring		

NO.	Model	APS12-B	APS25-B	APS37-B	APS55-B	APS75-B	APS110-B
1	Capacitor(μf)	10μF/450V	10μF/450V	10μF/450V	12μF/450V	18μF/450V	25μF/450V
2	Fore Bearing	6201-2RZ	6201-2RZ	6201-2RZ	6202-2RZ	6202-2RZ	6203-2RZ
3	Back Bearing	6201-2RZ	6201-2RZ	6201-2RZ	6202-2RZ	6202-2RZ	6203-2RZ
4	Shaft Extension	304+Steel 45#					
5	Mechanical Seal	301-12/21 B:A (PC) Φ26	301-12/21 B:A (PC) Φ26	301-12/21 B:T (PC) Φ26	108-12 S:A (PC)	108-12 S:A (PC)	108-14/25 S:A (PC)
		A: Graphite, B:Alumina ceramic,P:NBR,C:stainless steel (06Cr19Ni10) S: Reactive Sintered Silicon Carbide,T: Polytetrafluoroethylene					
6	Motor Shell	Aluminium					
7	Couping	Cast iron					
8	Pump Body	Cast iron					
9	Impeller	Brass					

## Dimensions & Weight



Model	DN1	DN2	Dim.(mm)											N.W. (kg)
	(Inch)		A	B	C	D	E	F	G	L	H1	H2	H3	
APS12-B	3/4	3/4	110	136	204	46	39	49.5	165	259	72	150	245.5	7.8
APS25-B	1	1	110	136	204	40	39	49.5	165	259	72	150	245.5	8.5
APS37-B	1	1	110	136	204	40	39	49.5	165	259	72	150	245.5	8.8
APS55-B	1	1	132	160	212	50	39	41.5	190	268	84	170	285	11.4
APS75-B	1	1	132	160	212	50	39	41.5	190	268	84	170	285	13.1
APS110-B	1.5	1.5	145	210	254	49	50	54	205	330	96	196	127	20.5
APS110-BL	1.5	1.5	235	270	264	49	81	91	196	427	347	196	605	24.6

## Packing Size & Weight

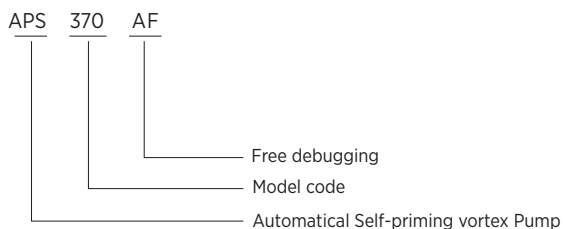
Model	Dim.(L×W×H) mm	G.W. (kg)	20'Loading Qty. (pcs)
APS12-B	295×230×300	8.3	1600
APS25-B		9.0	
APS37-B		9.3	
APS55-B	315×245×325	12.1	1320
APS75-B		13.8	
APS110-B	365×280×380	21.7	720
APS110-BL	515×320×640	26.3	260





APS-AF

## Model Instruction



## Performance Range

- Head up to 50 m
- Flow rate up to 3.4 m<sup>3</sup>/h

## Application Limits

- Suction lift up to 8 m
- Max. working pressure 5 bar
- Liquid temperature up to +90°C
- Ambient temperature up to +40°C
- Voltage fluctuations should not exceed 10% of rate value

## Certificate



## Applications Fields

- Suitable for use with clean water that does not contain abrasive particles or other similar water of liquid.
- widely used domestic water, automatic boosting, water tower supply, well water lifting, solar hot water boosting.

## Features

- Compact design, easy installation
- Pressure and flow switch control automatically
- Pump body insert of stainless sheet 304
- Shaft extension is stainless steel 304
- The impeller of copper alloy
- High quality mechanical seal
- Intelligent control: The pump equips with flow switch, pressure sensor, control panel, collecting the flow and pressure data by flow switch and pressure sensor. Through the water flow and water pressure data collected by flow switch and pressure switch, electronic unit control the pump running/stop, solve the frequently starting problems under low water flow, and completely inhibit frequently starting if water flows lower than 0.3m<sup>3</sup>/h.
- Pressure sensing function: No need to adjust the pressure, pump can create start-up pressure according to the pipe pressure.
- Time delay start: 3-seconds delay on startup to prevent electric transient surge
- Dry-Run protection: Pump shut down if no water flows past pump inlet after running 6 minutes, when there is water flow past pump inlet, pump restart.
- Scale prevention: Pump will automatically run 10 seconds for scale prevention once per 3 days among outage period.
- Electronic switch: Long service life, and eliminate the "da da" noise caused by mechanical pressure switch

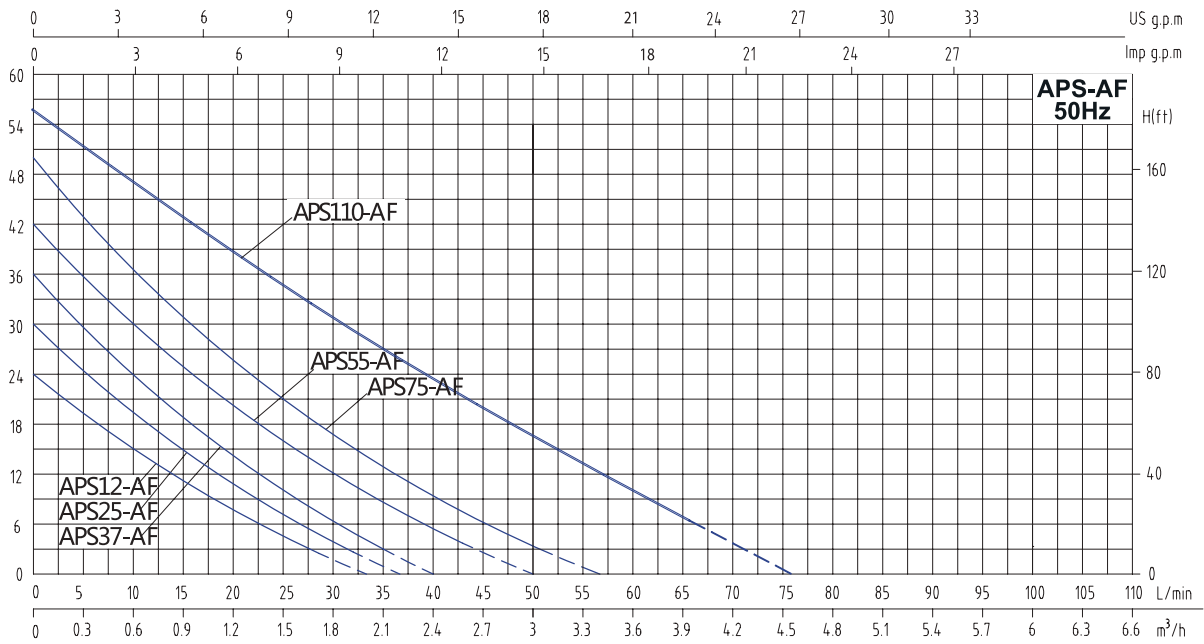
## Motor

- Single phase motor, copper wires, built-in thermal protector, fully enclosed motor shell
- Continuous service S1
- IPX4 class protection
- Class B insulation

## Optional Available on Request

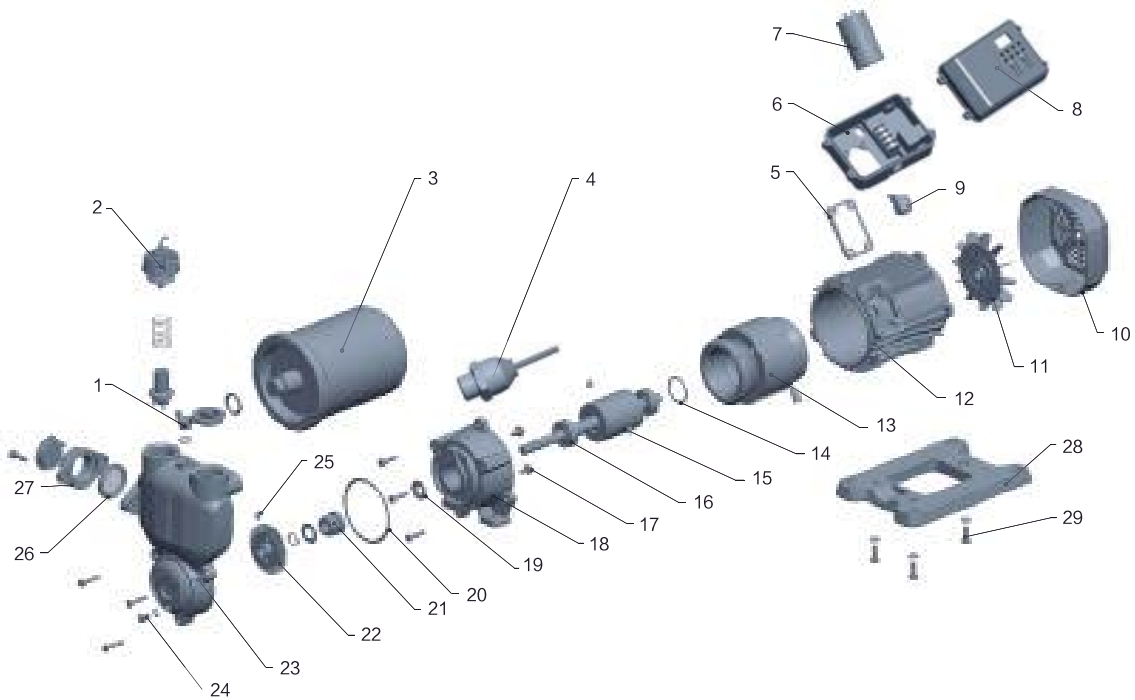
- NSK bearing
- Class F insulation

## Performance Curve



Model	Power		Max. Flow (m <sup>3</sup> /h)	Max. Head (m)	Head Range (m)	Max. Suction (m)
	kW	HP				
APS12-AF	0.125	0.17	2	24	1-20	8
APS25-AF	0.25	0.34	2.2	30	1-26	8
APS37-AF	0.37	0.5	2.4	36	1-32	8
APS55-AF	0.55	0.75	3.0	42	1.5-38	8
APS75-AF	0.75	1	3.4	50	1.5-46	8

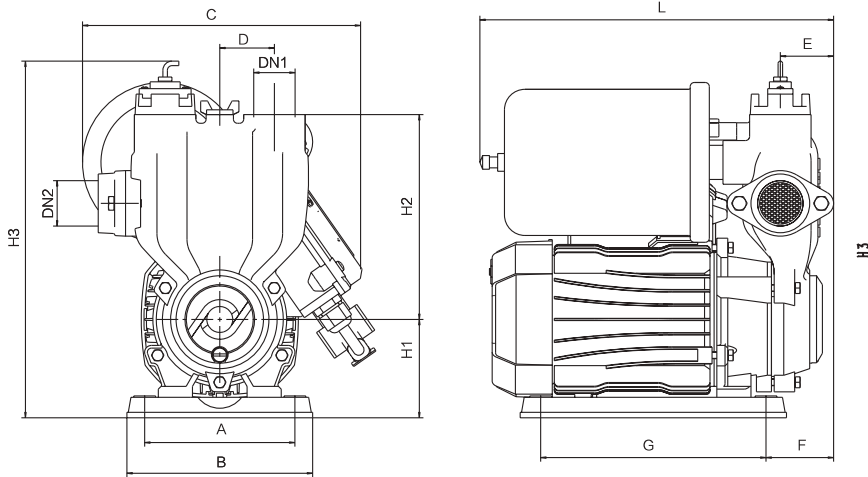
## Components & Materials



No.	Component	No.	Component	No.	Component
1	Bleed cock	11	fan	21	Machinery Seal
2	Flow Switch	12	cabinet	22	impeller
3	pressure tank	13	Winding stator core	23	Pump body
4	Pressure Sensor	14	Wave spring	24	Slotted cylindrical head screw
5	Rubber gasket	15	Rotor	25	Set screw
6	control box	16	Bearing	26	Filter
7	Capacitor	17	Combination screw	27	Inlet pipe
8	Control box cover	18	Coupling	28	Base
9	Cable lock	19	Water retaining ring	29	Hex head bolt
10	Fan cover	20	O-ring		

NO.	Model	APS37-AF	APS75-AF
1	Capacitor(μf)	10μF/450V	18μF/450V
2	Fore Bearing	6201-2RZ	6202-2RZ
3	Back Bearing	6201-2RZ	6202-2RZ
4	Shaft Extension	304+Steel 45#	
5	Mechanical Seal	301-12/21 B:T (PC) Φ26	108-12 S:A (PC)
		A: Graphite, B:Alumina ceramic,P:NBR,C:stainless steel (06Cr19Ni10) S: Reactive Sintered Silicon Carbide,T: Polytetrafluoroethylene	
6	Motor Shell	Aluminium	
7	Couping	Cast iron	
8	Pump Body	Cast iron	
9	Impeller	Brass	

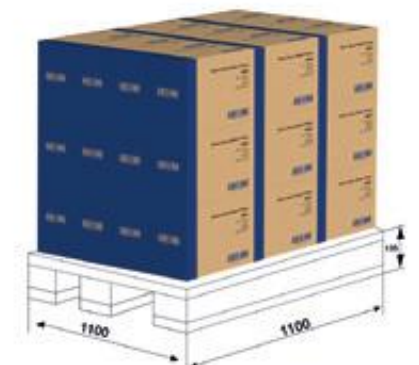
## Dimensions & Weight



Model	DN1	DN2	Dim.(mm)											N.W. (kg)
	(Inch)		A	B	C	D	E	F	G	L	H1	H2	H3	
APS12-AF	3/4	3/4	110	136	204	46	39	49.5	165	259	72	150	245.5	7.8
APS25-AF	1	1	110	136	204	40	39	49.5	165	259	72	150	245.5	8.5
APS37-AF	1	1	110	136	204	40	39	49.5	165	259	72	150	245.5	8.8
APS55-AF	1	1	132	160	212	50	39	41.5	190	268	84	170	285	11.4
APS75-AF	1	1	132	160	212	50	39	41.5	190	268	84	170	285	13.1

## Packing Size & Weight

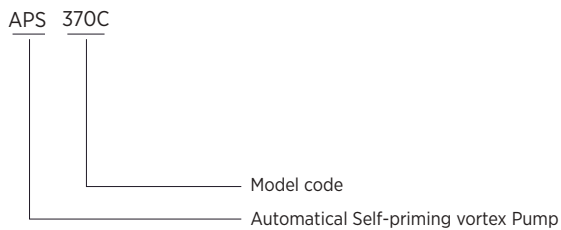
Model	Dim.(L×W×H) mm	G.W. (kg)	20' Loading Qty. (pcs)
APS12-AF	295×230×300	8.3	1600
APS25-AF		9.0	
APS37-AF		9.3	
APS55-AF	315×245×325	12.1	1320
APS75-AF		13.8	





APS-C

## Model Instruction



## Performance Range

- Max head:44m
- Max flow:3.6 m<sup>3</sup>/h

## Application Limits

- Medium temperature: No higher than 90°C
- Ambient temperature: No higher than 40°C
- Pump body Max. Pressure: 0.5Mpa
- The PH value of the medium is between 6.5 and 8.5, the volume ratio of solid impurities in the medium is ≤0.1%, and the particle size is ≤0.2mm.
- Voltage fluctuation: No more than ±10% of the rating.

## Applications Fields

- Suitable for use with clean water that does not contain abrasive particles or other similar water of liquid.
- widely used domestic water, automatic boosting, water tower supply, well water lifting, solar hot water boosting.

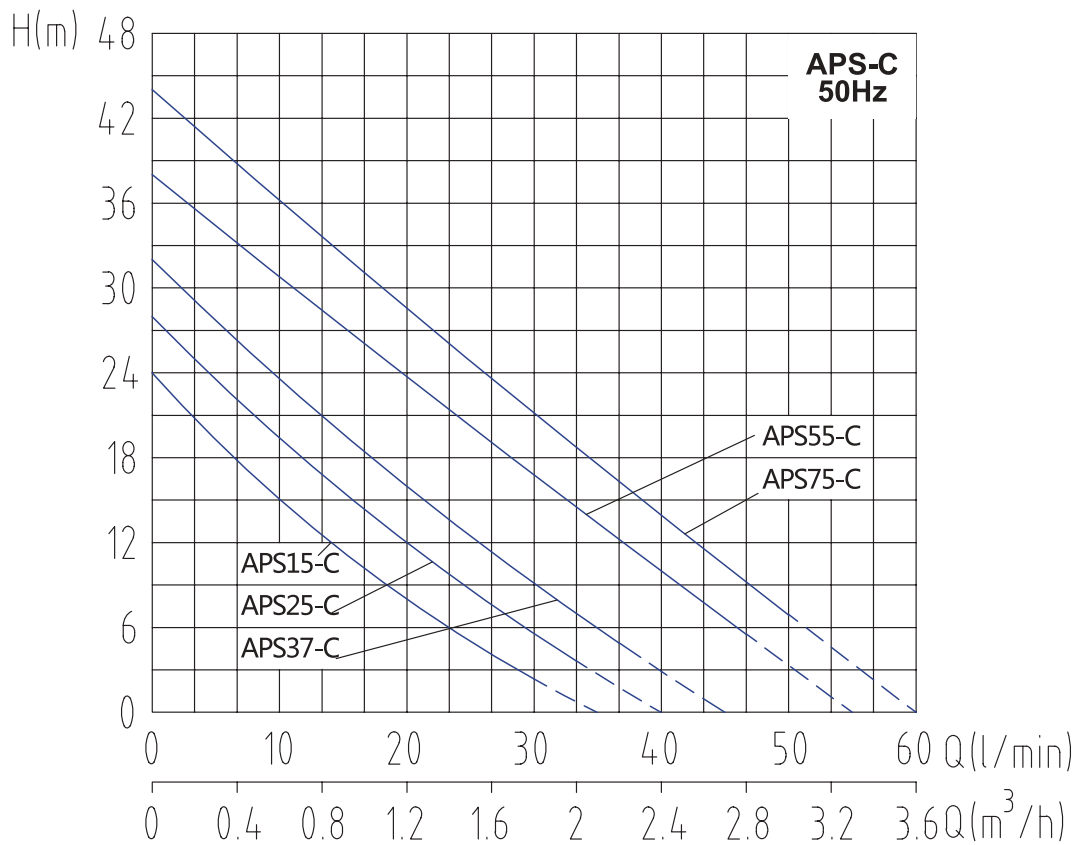
## Features

- Pump body/ Coupling: HT200
  - Shaft: 304+45#
  - Motor casing/End cover: YL102
  - Mechanical seal: S:A (PC) High temperature nitrile rubber
  - Bearing: C&U
  - Motor: 2-stages asynchronous motor, copper coil, with thermal protector, continuous operation;
  - Level of protection: IPX4
  - Insulation grade: F.
- External temperature protector on the pump body.

## Optional Available on Request

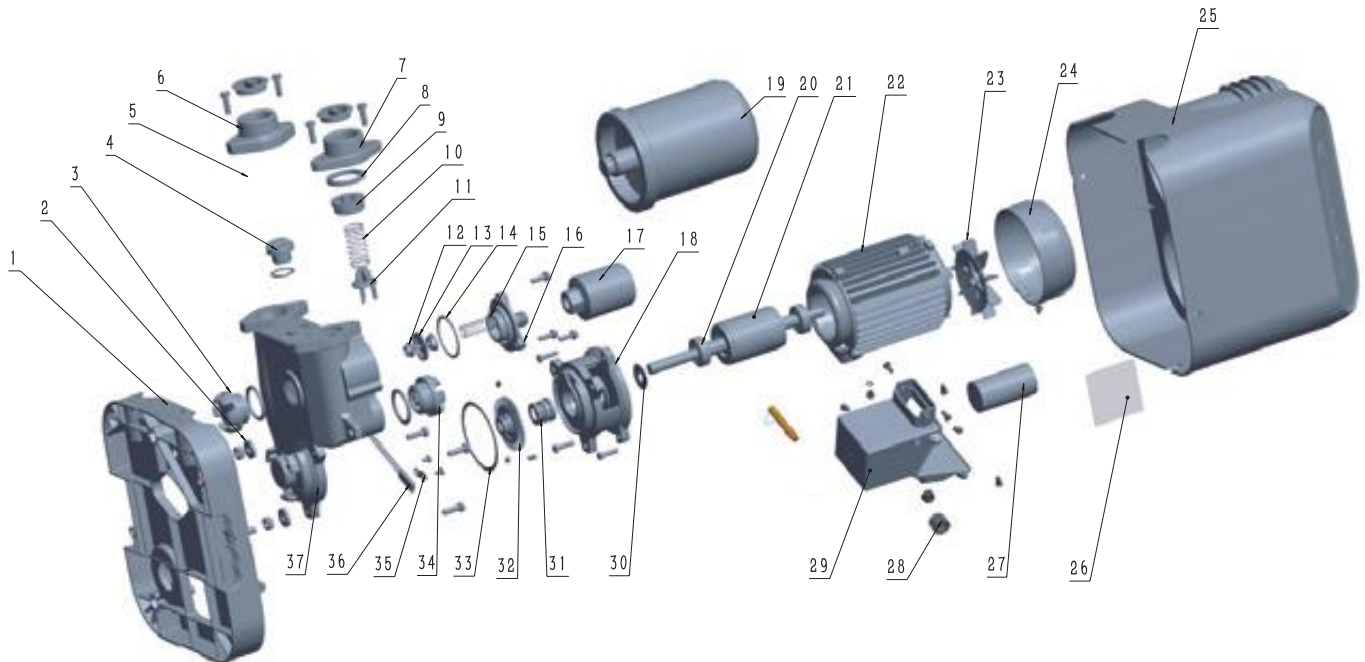


**Performance Curve**



Model	Power		Max. Flow (m <sup>3</sup> /h)	Max. Head (m)	Head Range (m)	Max. Suction (m)
	kW	HP				
APS15-C	0.125	0.17	2.1	24	1-18	6
APS25-C	0.25	0.34	2.4	28	1.5-23	6
APS37-C	0.37	0.5	2.7	32	1.5-27	6
APS55-C	0.55	0.75	3.3	38	3.5-35	6
APS75-C	0.75	1	3.6	44	5-38	6

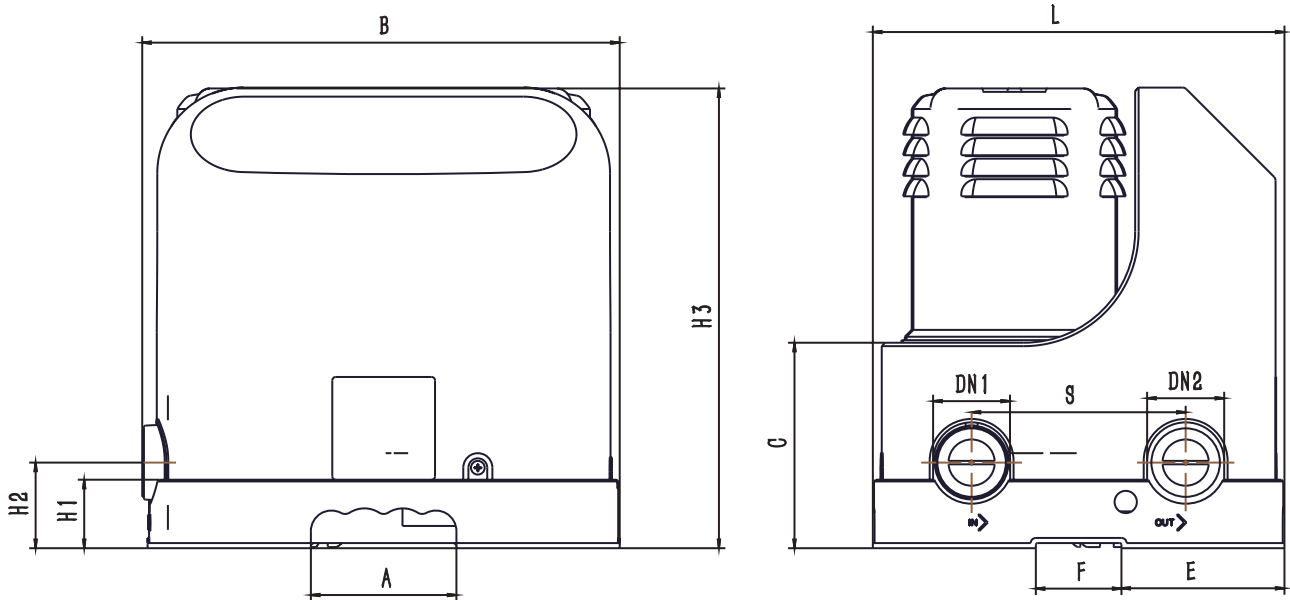
## Components & Materials



No.	Component	No.	Component	No.	Component
1	Foundation	14	O-ring	27	Capcaitor
2	rubber pad	15	Spring	28	controller
3	air screw	16	Water filling faucet	29	Terminal box cover
4	drain screw	17	Pressure switch	30	Water deflector
5	Check valve	18	coupling	31	Mechanical seal
6	Inlet pipe	19	Pressure tank	32	impeller
7	water festival	20	Bearing	33	O-ring
8	rubber gasket	21	Rotor	34	air screw
9	Steady flow valve positioning seat	22	Motor core	35	connector
10	Spring	23	Fan	36	External temperature protector
11	Steady flow valve	24	Fan cover	37	Pump body
12	Diaphragm buckle	25	Pump cover		
13	diaphragm	26	nameplate		

NO.	Model	APS15-C	APS25-C	APS37-C	APS55-C	APS75-C
1	Capacitor(μf)	10μF/450V	10μF/450V	12μF/450V	12μF/450V	18μF/450V
2	Fore Bearing	6201-2RZ	6201-2RZ	6201-2RZ	6202-2RZ	6202-2RZ
3	Back Bearing	6201-2RZ	6201-2RZ	6201-2RZ	6202-2RZ	6202-2RZ
4	Shaft Extension	304+Steel 45#				
5	Mechanical Seal	108-12/21 S:A (PC) NBR Φ26	108-12/21 S:A (PC) NBR Φ26	108-12/21 S:A (PC) NBR Φ26	108-12/21 S:A (PC) NBR Φ26	108-12/21 S:A (PC) NBR Φ26
		A: Graphite, B:Alumina ceramic,P:NBR,C:stainless steel (06Cr19Ni10) S: Reactive Sintered Silicon Carbide,T: Polytetrafluoroethylene				
6	Motor Shell	Aluminum				
7	Coupling	Cast iron				
8	Pump Body	Cast iron				
9	Impeller	HPb57-3(brass)				
	Pump Cover	PP				

## Dimensions & Weight



Model	DN1	DN2	Dim.(mm)										N.W. (kg)
	(Inch)		A	B	C	E	F	L	H1	H2	H3	S	
APS15-C	1	1	85	279	120	95	50	241	40	50	269	125	10.2
APS25-C	1	1	85	279	120	95	50	241	40	50	269	125	10.9
APS37-C	1	1	85	279	120	95	50	241	40	50	269	125	11.2
APS55-C	1	1	85	305	144	105	60	270	45	56.5	295	155	13.5
APS75-C	1	1	85	305	144	105	60	270	45	56.5	295	155	15.3

## Packing Size & Weight

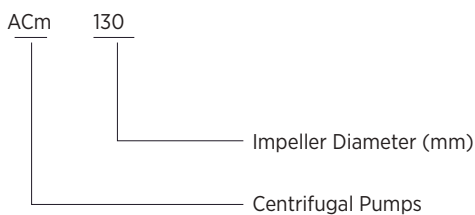
Model	Dim.(L×W×H) mm	G.W. (kg)	20' Loading Qty. (pcs)
Single-Phase			
APS15-C	310×275×300	11	1064
APS25-C	310×275×300	11.7	1064
APS37-C	310×275×300	12	1064
APS55-C	315×315×335	14.2	882
APS75-C	315×315×335	16	882





ACm

### Model Instruction



### Applications Fields

- Suitable for transferring water without abrasive particles or other liquid whose properties are similar to water.
- Widely used in vegetable greenhouse water supply, breeding industry water supply and drainage, water tower water supply, pipeline pressurization, various corollary equipment, etc.

### Performance Range

- Max. Flow: 8.4m<sup>3</sup>/h
- Max. Head: 55m

### Features

- Single suction centrifugal pump, with high efficiency
- Copper impeller, stable performance
- High head, small flow rate

### Application Limits

- Suction head up to 7m
- Liquid temperature up to +40°C
- Ambient temperature up to +40°C
- Max. Working pressure: 6bar
- Voltage fluctuation should not exceed 10% of rated value.
- pH: 6.5 to 8.5

### Motor

- Single-Phase 230V/50Hz
- Mechanical seal: Ceramic/Graphite/NBR rubber
- Motor: 2 pole asynchronous motor, copper wires, built-in thermal protector, fully closed fan cooling, continuous running
- Protection: IP44
- Insulation: Class B

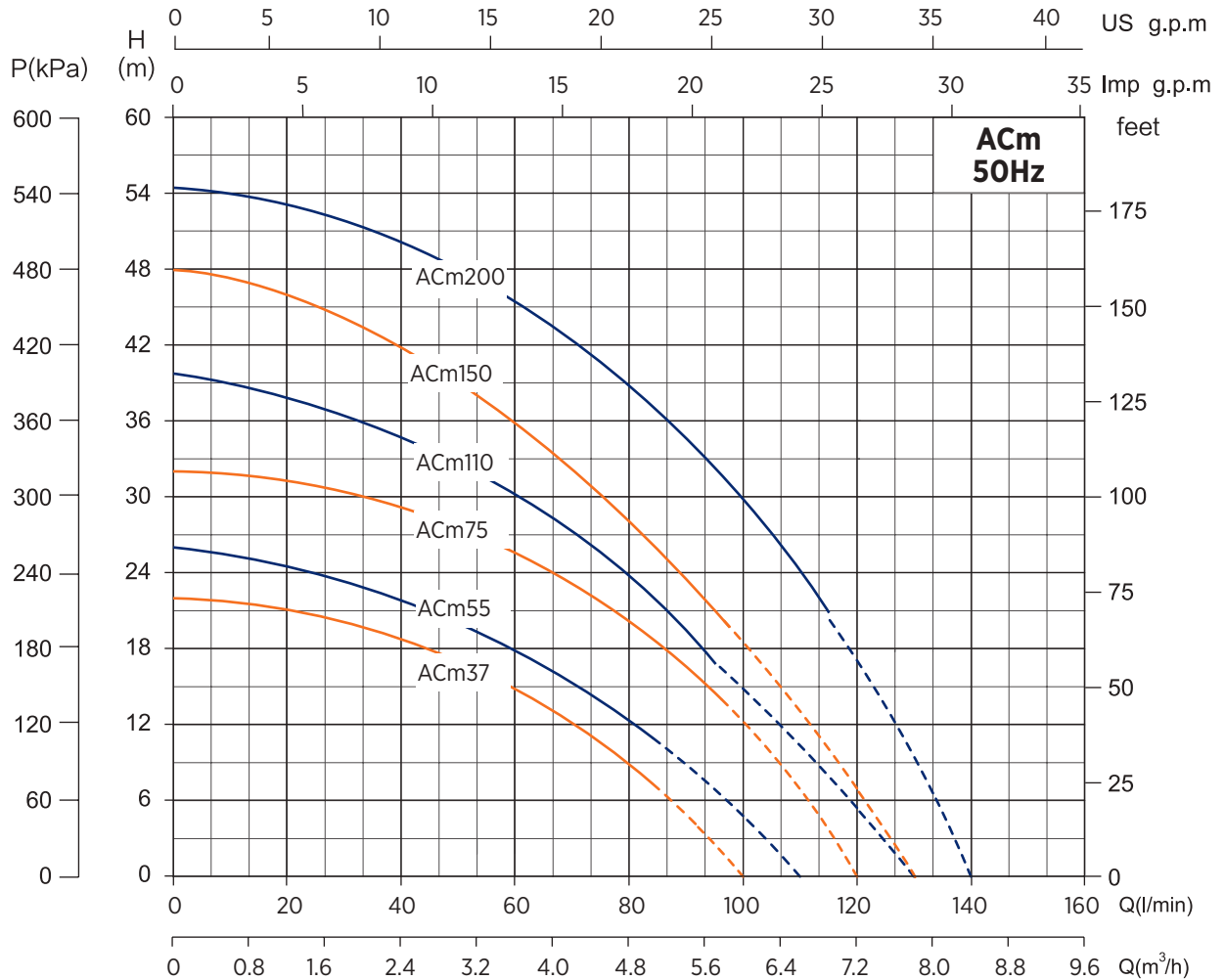
### Certificate



### Optional Available on Request

- 304 stainless steel welding shaft
- Electrophoretic pump body and connections
- NSK bearing
- Motor whose insulation class is F
- Other voltage or frequency is 60Hz

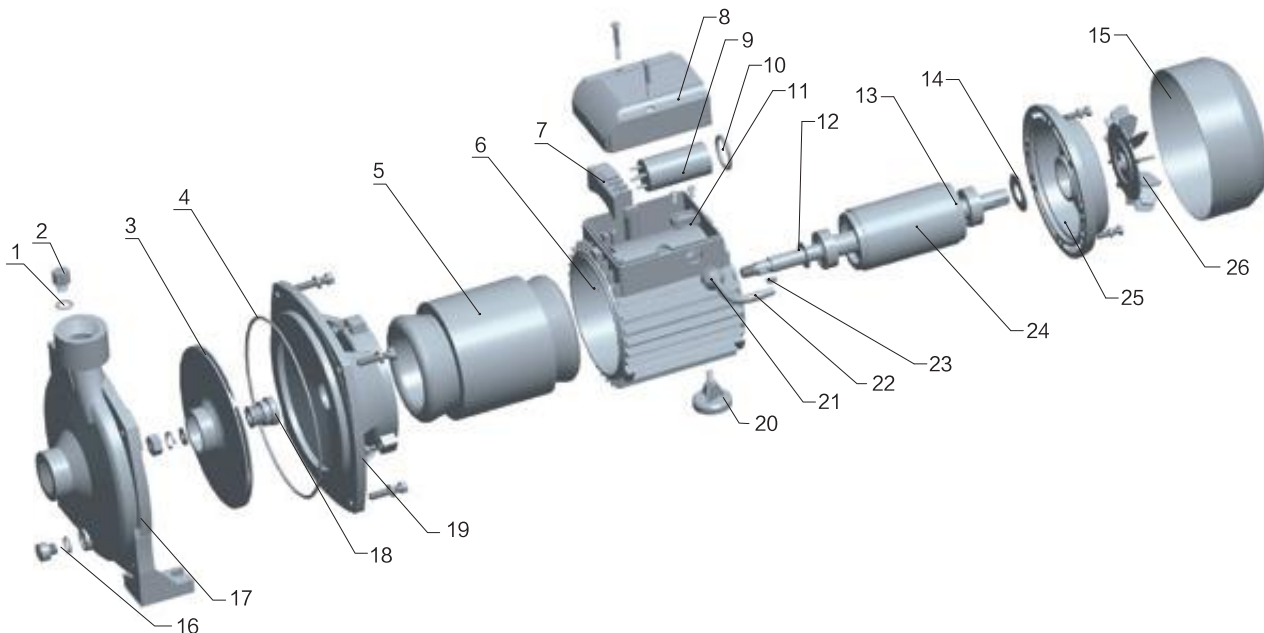
**Performance Curve**



Model	Power		Max. Flow (m <sup>3</sup> /h)	Max. Head (m)	Head Range (m)	Max. Suction (m)
	kW	HP				
ACm37	0.37	0.5	6	22	8-22	7
ACm55	0.55	0.75	6.6	26	11-26	7
ACm75	0.75	1	7.2	32	14-32	7
ACm110	1.1	1.5	7.8	40	17-40	7
ACm150	1.5	2	7.8	48	20-48	7
ACm200	2.2	3	8.4	55	20-55	7

Note: The length of cable is 0.3m,no plug.

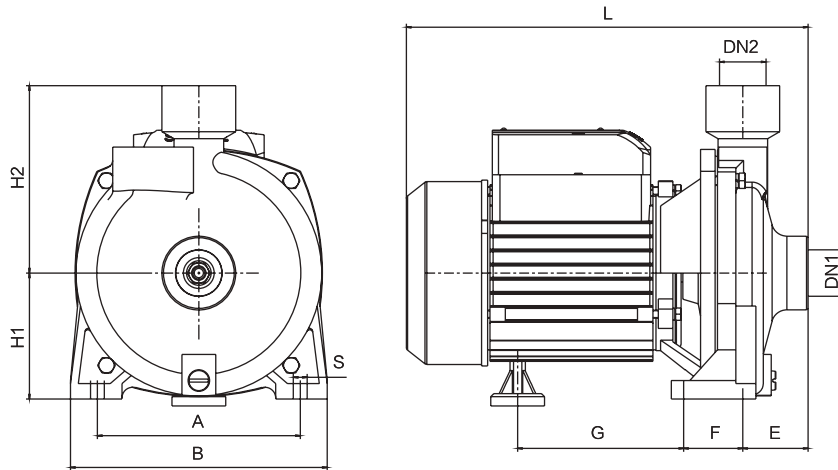
## Components & Materials



No.	Component	No.	Component	No.	Component
1	O-ring	10	O-ring	19	Coupling
2	Air Faucet	11	Cable Control Cover	20	Foot
3	Impeller	12	Waterproof Ring	21	Cable Sleeve
4	O-ring	13	Bearing	22	Cable
5	Stator	14	Wave Spring	23	Key
6	Motor Case	15	Fan Cover	24	Rotor
7	Terminal Board	16	Water Faucet	25	End Cover
8	Cable Block Cover	17	Pump Body	26	Fan
9	Capacitor	18	Mechanical Seal		

NO.	Model	ACm37	ACm55	ACm75	ACm110	ACm150	ACm200
9	Capacitor	12 µF/450V	15 µF/450V	20 µF/450V	40 µF/450V	45 µF/450V	45 µF/450Vx2
13	End-Cover Bearing	6201-2RZ	6202-2RZ	6202-2RZ	6204-2RZ	6204-2RZ	6205-2RZ
	Coupling Bearing	6201-2RZ	6202-2RZ	6202-2RZ	6204-2RZ	6204-2RZ	6304-2RZ
	Motor Shaft	Steel 45#					
18	Mechanical Seal	301-12/21 B:A (P) Stationary seal ring ø26	104-14/25 B:A (P) Stationary seal ring ø26	108-17/23.5 B:A (P) Stationary seal ring ø30			
		A:Graphite B: Ceramic P: NBR					
6	Motor Case	Aluminum					
19	Coupling	Cast Iron					
17	Pump Body	Cast Iron					
3	Impeller	Brass					

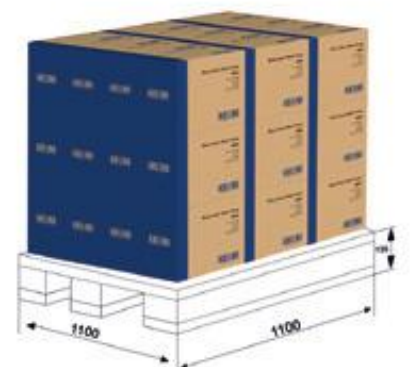
## Dimensions & Weight



Model	DN1	DN2	Dim.(mm)									N.W. (kg)
			(Inch)		A	B	E	F	G	L	S	
ACm37	1	1	132	167	42.5	38.5	108	262	9	82	122	8.5
ACm55	1	1	144	175	47	38	132	296	10	94.5	130.5	11.5
ACm75	1	1	158	192	45	42	134	300	10	100	144	13.5
ACm110	1.25	1	170	210	46	45.5	164.5	346	11	108	153	20
ACm150	1	1	185	230	36	37	171	351	10	116	177	23
ACm200	1	1	185	230	54	37	197	401	10	116	177	30.5

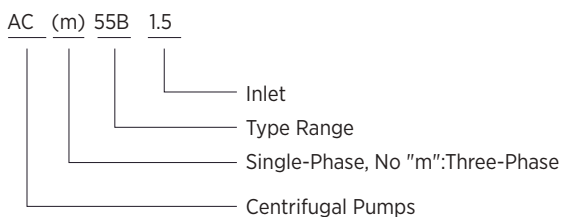
## Packing Size & Weight

Model	Dim.(L×W×H) mm	G.W. (kg)	20'Loading Qty. (pcs)
Single-Phase			
ACm37	280×185×230	9	2610
ACm55	340×210×265	12	1722
ACm75	340×210×265	14	1722
ACm110	390×240×290	21	1168
ACm150	390×260×320	24.5	981
ACm200	455×280×340	33.5	742





### Model Instruction



### Performance Range

- Max. Flow: 140m<sup>3</sup>/h
- Max. Head: 24.5m

### Application Limits

- Suction head up to 7m
- Liquid temperature up to +40°C
- Ambient temperature up to +40°C
- Max. Working pressure: 3bar
- Voltage fluctuation should not exceed 10% of rated value.
- pH: 6.5 to 8.5

### Certificate



### Applications Fields

- Suitable for transferring water without abrasive particles or other liquid whose properties are similar to water.
- Widely used in farm irrigation, garden irrigation, breeding industry water supply and drainage, etc.

### Features

- Large flow, high efficiency
- Compact structure, easy to install

### Motor

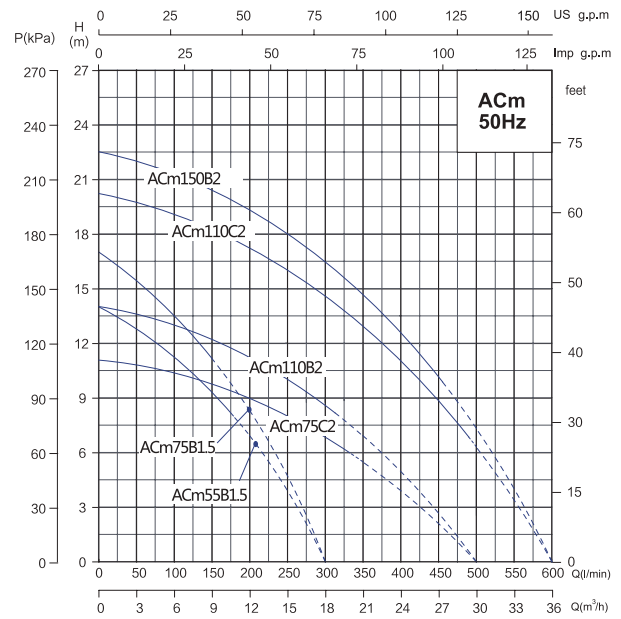
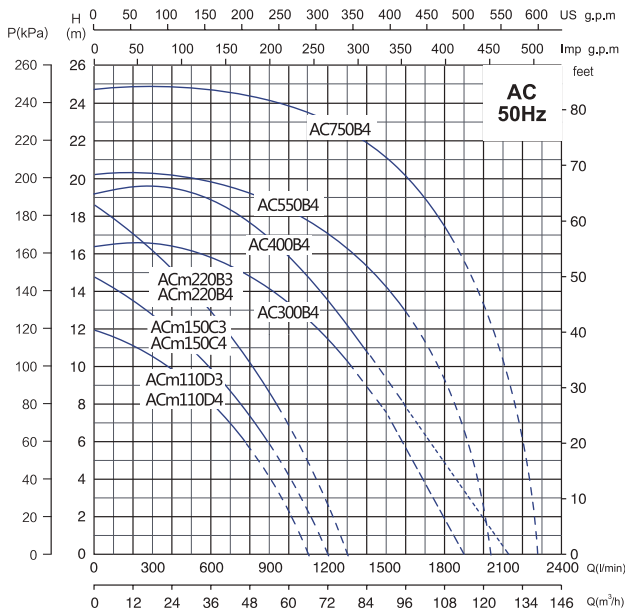
- Single-Phase 230V/50Hz
- Three-Phase 400V/50Hz
- Mechanical seal: Ceramic/Graphite/NBR rubber
- Motor: 2 pole asynchronous motor, copper wires, built-in thermal protector, fully closed fan cooling, continuous running
- Protection: IP44
- Insulation: Class B
- Insulation: Class F (3-7.5kW)

### Optional Available on Request

- 304 stainless steel welding shaft
- Electrophoretic pump body and connections
- NSK bearing
- Motor whose insulation class is F
- Other voltage or frequency is 60Hz



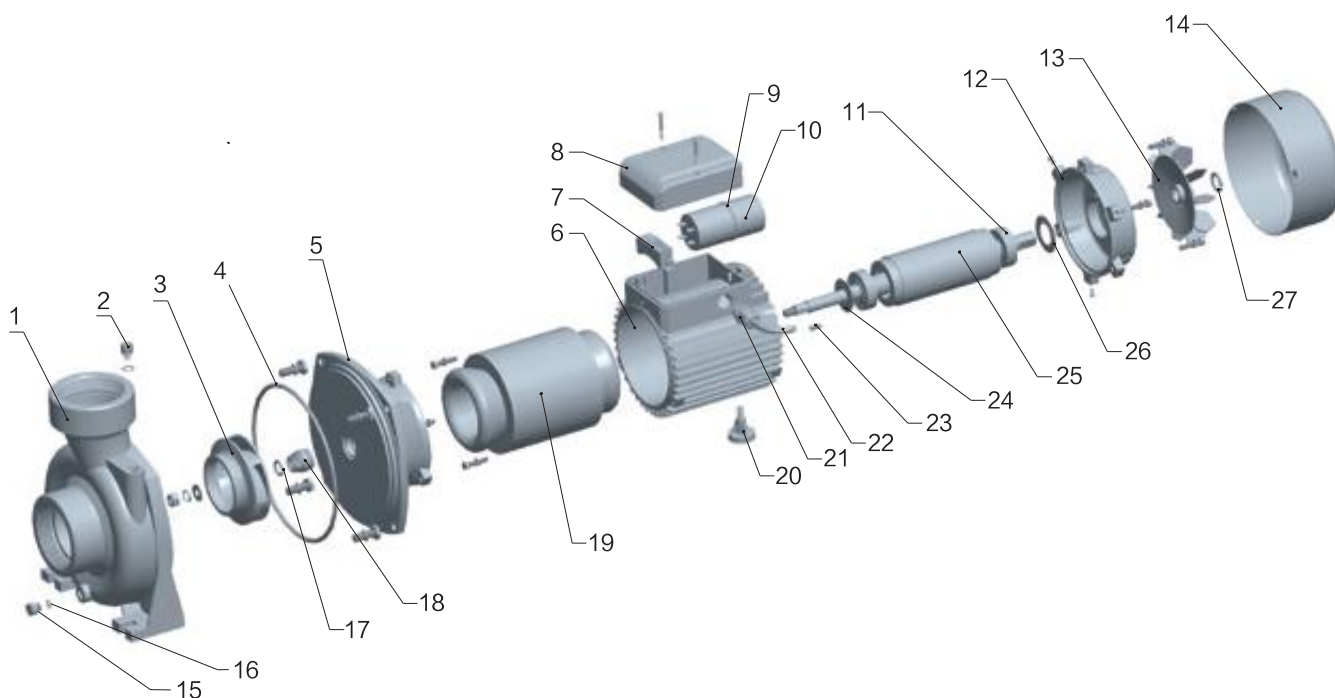
## Performance Curve



Model		Power		Max. Flow (m <sup>3</sup> /h)	Max. Head (m)	Head Range (m)	Max. Suction (m)
Single-Phase 230V	Three-Phase 400V	kW	HP				
ACm55B1.5	-	0.55	0.75	18	14	8-14	7
ACm75B1.5	-	0.75	1	18	17	11-17	7
ACm75C2	-	0.75	1	30	11	6-11	7
ACm110B2	-	1.1	1.5	30	14	8-14	7
ACm110C2	-	1.1	1.5	36	20.2	7-20.2	7
ACm110D3	-	1.1	1.5	66	11.9	6-11.9	7
ACm110D4	-	1.1	1.5	66	11.9	6-11.9	7
ACm150B2	AC150B2	1.5	2	36	22.5	10-22.5	7
ACm150C3	-	1.5	2	72	14.7	6-14.7	7
ACm150C4	-	1.5	2	72	14.7	6-14.7	7
ACm220B3	AC220B3	2.2	3	78	18.5	8-18.5	7
ACm220B4	AC220B4	2.2	3	78	18.5	8-18.5	7
-	AC300B4	3	4	114	16.5	10-16.5	7
-	AC400B4	4	5.5	129	19.5	11-19.5	7
-	AC550B4	5.5	7.5	125	20	13-20	7
-	AC750B4	7.5	10	140	24.5	17-24.5	7

Note: The length of cable is 0.3m, The cable length of three-phase pump ACm150B2, ACm220B3, ACm220B4 are 0.3m; no plug. The rest of the model without cable

## Components & Materials

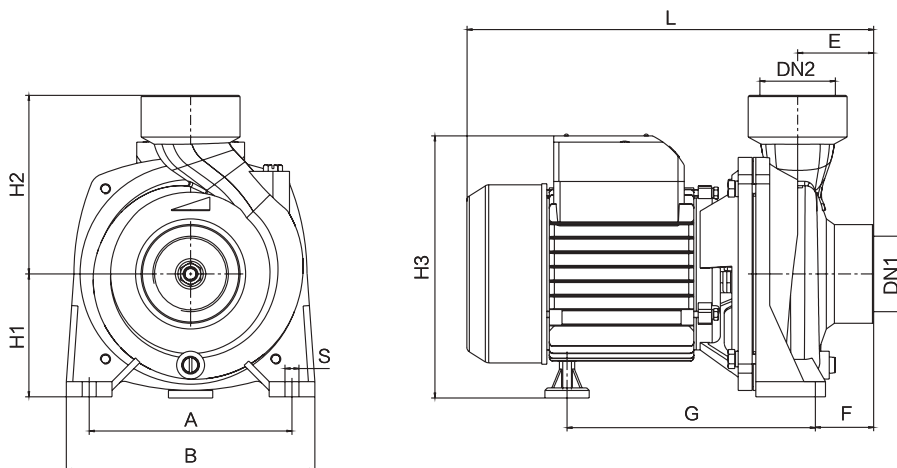


No.	Component	No.	Component	No.	Component
1	Pump Body	10	Capacitor	19	Stator
2	Air Faucet	11	Bearing	20	Foor
3	Impeller	12	End Cover	21	Cable Locking Head
4	O-ring	13	Fan	22	Cable
5	Coupling	14	Fan Cover	23	Key
6	Motor Case	15	Water Faucet	24	Waterproof Ring
7	Terminal Board	16	O-ring	25	Rotor
8	Terminal Block Cover	17	Shaft Circlip	26	Wave Spring
9	O-ring	18	Mechanical Seal	27	Shaft Circlip

NO.	Model	ACm75B1.5	ACm55B1.5	ACm110B2	ACm75C2	ACm150B2	ACm220B3	ACI50B2	ACm110C2	ACm220B3	AC220B3	
10	Capacitor	20 µF/450V	12 µF/450V	20 µF/450V	20 µF/450V	40 µF/450V	60 µF/450V	/	25 µF/450V	35 µF/450V 250 µF/250V	/	
11	End-cover Bearing	6202-2RZ				6204-2RZ	6205-2RZ	6204-2RZ	6204-2RZ	6205-2RZ	6205-2RZ	
	Coupling Bearing	6202-2RZ				6204-2RZ	6304-2RZ	6204-2RZ	6204-2RZ	6304-2RZ	6304-2RZ	
	Motor Shaft	Steel 45#										
18	Mechanical Seal	301-14/21 S:A(P)Stationary seal ring ø30					155-17/30 B:A(P) Stationary seal ring ø26.9					
		A:Graphite B:Alumina ceramic S:RBSC P:NBR										
6	Motor Case	Aluminum										
5	Coupling	Cast iron										
1	Pump Body	Cast iron										
3	Impeller	Copper					Cast iron	Cast iron or Copper				

NO.	Model	ACm150C3	ACm110D3	ACm220B4	AC220B4	ACm150C4	ACm110D4	AC300B4	AC400B4	AC550B4	AC750B4	
10	Capacitor	40 µF/450V	25 µF/450V	35 µF/450V 250 µF/250V	/	40 µF/450V	25 µF/450V	/	/	/	/	
11	End-cover Bearing	6204-2RZ	6204-2RZ	6205-2RZ	6205-2RZ	6205-2RZ	6205-2RZ	6205-2RS/C3Z2	6206-2RS/C3Z2	6206-2RS/C3Z2	6208-2RS/C3Z2	
	Coupling Bearing	6205-2RZ	6205-2RZ	6304-2RZ	6304-2RZ	6304-2RZ	6304-2RZ	6205-2RS/C3Z2	6206-2RS/C3Z2	6206-2RS/C3Z2	6208-2RS/C3Z2	
	Motor Shaft	Steel 45#						45+304 welding shaft				
18	Mechanical Seal	155-17/30 B:A(P) Stationary seal ring ø26.9						701-20/29 S:K(PC) Stationary seal ring ø35	701-25/31 S:K(PC) Stationary seal ring ø40	701-28/32 S:K(PC) Stationary seal ring ø43		
		A:Graphite B:Alumina ceramic S:RBSC P:NBR										
6	Motor Case	Aluminum										
5	Coupling	Cast iron										
1	Pump Body	Cast iron										
3	Impeller	Cast iron or Copper									Cast iron	

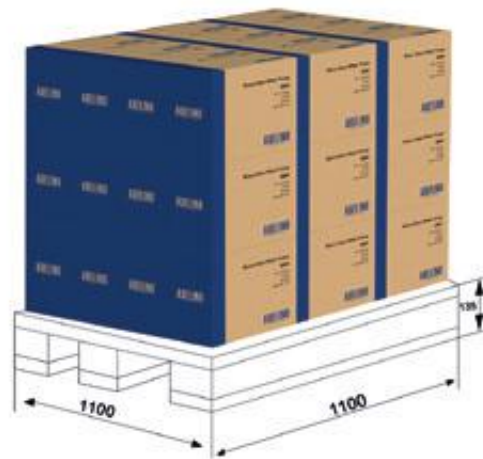
## Dimensions & Weight



Model		DN1	DN2	Dim.(mm)										N.W. (kg)
Single-phase	Three-phase	(Inch)		A	B	E	F	G	L	S	H1	H2	H3	
ACm55B1.5	-	1.5	1.5	160	190	41	91	129	299	10	95	135	204	11.5
ACm75B1.5	-	1.5	1.5	160	190	41	91	129	299	10	95	135	204	10.5
ACm75C2	-	2	2	160	196	59	45	194	318	11	91	140	206	14
ACm110B2	-	2	2	160	196	59	45	194	318	11	91	140	206	13
ACm110C2	-	2	2	160	206	62	61	226	377	11	110	150	234	21/21.5
ACm110D3	-	2	2	160	206	62	61	226	377	11	110	150	234	18.5
ACm110D4	-	4	4	190	240	67	66	267	446.5	11	120	192	295	35.5
ACm150B2	AC150B2	3	3	180	230	68	68	257	438	12	120	192	279	35/32
ACm150C3	-	3	3	180	230	68	68	239	397	12	120	192	244	29
ACm150C4	-	3	3	180	230	68	68	239	397	12	120	192	244	28
ACm220B3	AC220B3	4	4	190	240	68	68	257	438	12	120	192	279	36/36
ACm220B4	AC220B4	4	4	190	240	68	68	239	397	12	120	192	244	27.5
-	AC300B4	4	4	190	240	68	68	239	397	12	120	192	244	26.5
-	AC400B4	4	4	190	260	80	50	302	461	14	132	180	267	40
-	AC550B4	4	4	190	260	80	50	286	482	14	132	180	288	44
-	AC750B4	4	4	212	292	82	52	301	509	14	160	210	350	59

## Packing Size & Weight

Model		Dim.(L×W×H)	G.W.(kg)		20' Loading Qty. (pcs)
Single-Phase	Three-phase	mm	Single-Phase	Three-Phase	
ACm55B1.5	-	350×235×255	12	--	1520
ACm75B1.5	-	350×235×255	11	--	1520
ACm75C2	-	365×240×265	14.5	--	1386
ACm110B2	-	365×240×265	13.5	--	1386
ACm110C2	-	425×250×295	22.5	24.5	1024
ACm110D3	-	425×250×290	18	--	1024
ACm110D4	-	510×295×355	37.5	--	584
ACm150B2	AC150B2	510×295×355	37	35	584
ACm150C3	-	460×285×345	31	--	695
ACm150C4	-	460×285×345	26.5	--	695
ACm220B3	AC220B3	510×295×355	39	39	584
ACm220B4	AC220B4	460×285×345	30.5	--	695
-	AC300B4	460×285×345	28.5	--	695
-	AC400B4	560×290×385	--	46	400
-	AC550B4	560×290×385	--	50	400
-	AC750B4	590×340×430	--	66	350

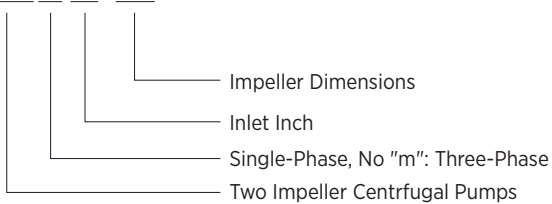




2SGP(m)

### Model Instruction

2SGP m 25 / 130



### Applications Fields

- Suitable for transferring water without abrasive particles or other liquid whose properties are similar to water.
- Widely used in garden irrigation, vegetable greenhouse water supply, breeding industry water supply and drainage, various corollary equipment, etc.

### Performance Range

- Max. Flow: 12m<sup>3</sup>/h
- Max. Head: 50m

### Features

- Double impeller centrifugal pump, satisfies the requirement of high head.
- Compact structure

### Application Limits

- Suction head up to 8m
- Liquid temperature up to +40°C
- Ambient temperature up to +40°C
- Max. Working pressure: 5bar
- Voltage fluctuation should not exceed 10% of rated value.
- pH: 6.5 to 8.5

### Motor

- Single-Phase 230V/50Hz
- Three-Phase 400V/50Hz
- Mechanical seal: Ceramic /Graphite/NBR rubber
- Motor: 2 pole asynchronous motor, copper wires, built-in thermal protector, fully closed fan cooling, continuous running
- Protection: IP44
- Insulation: Class B

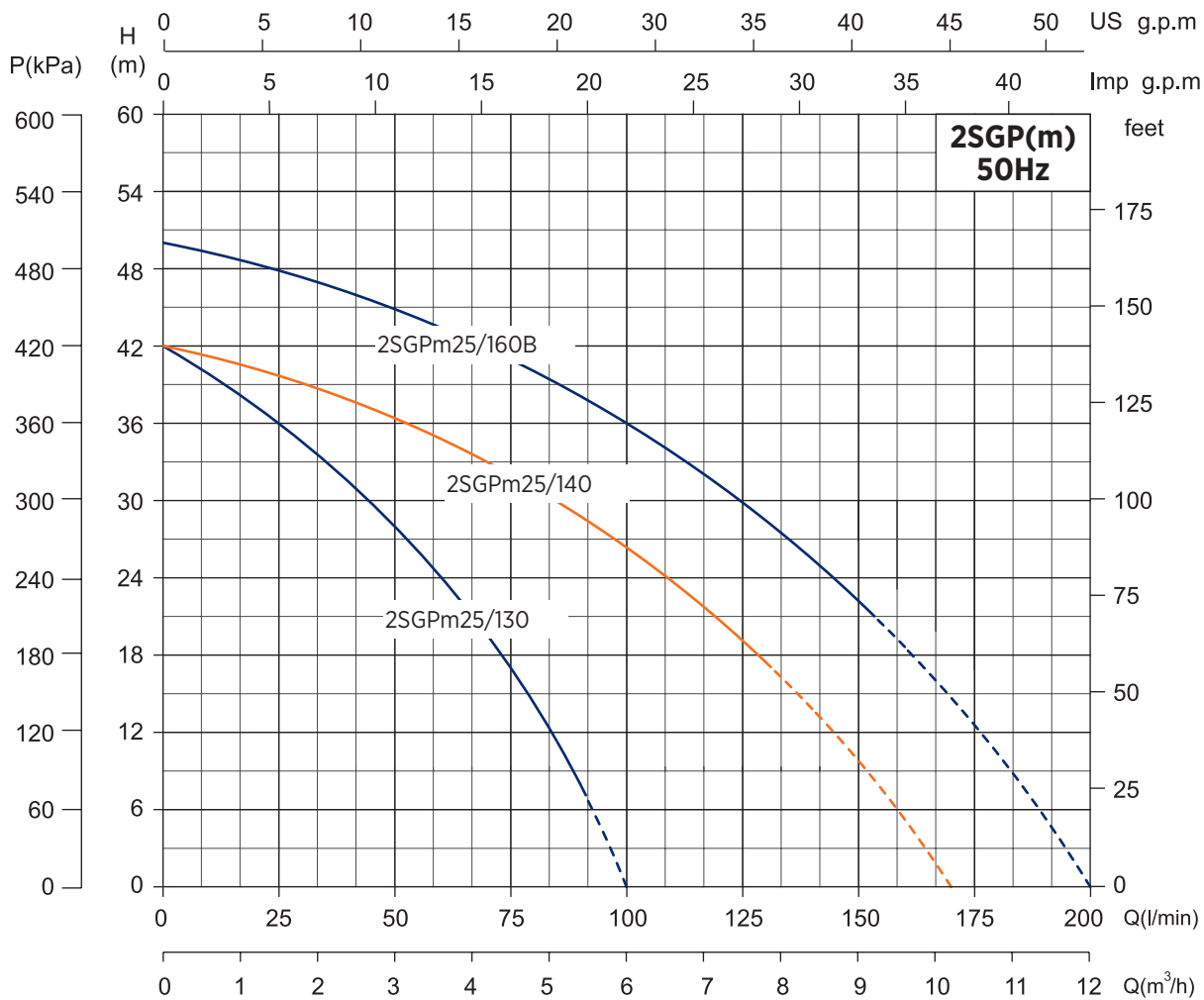
### Certificate



### Optional Available on Request

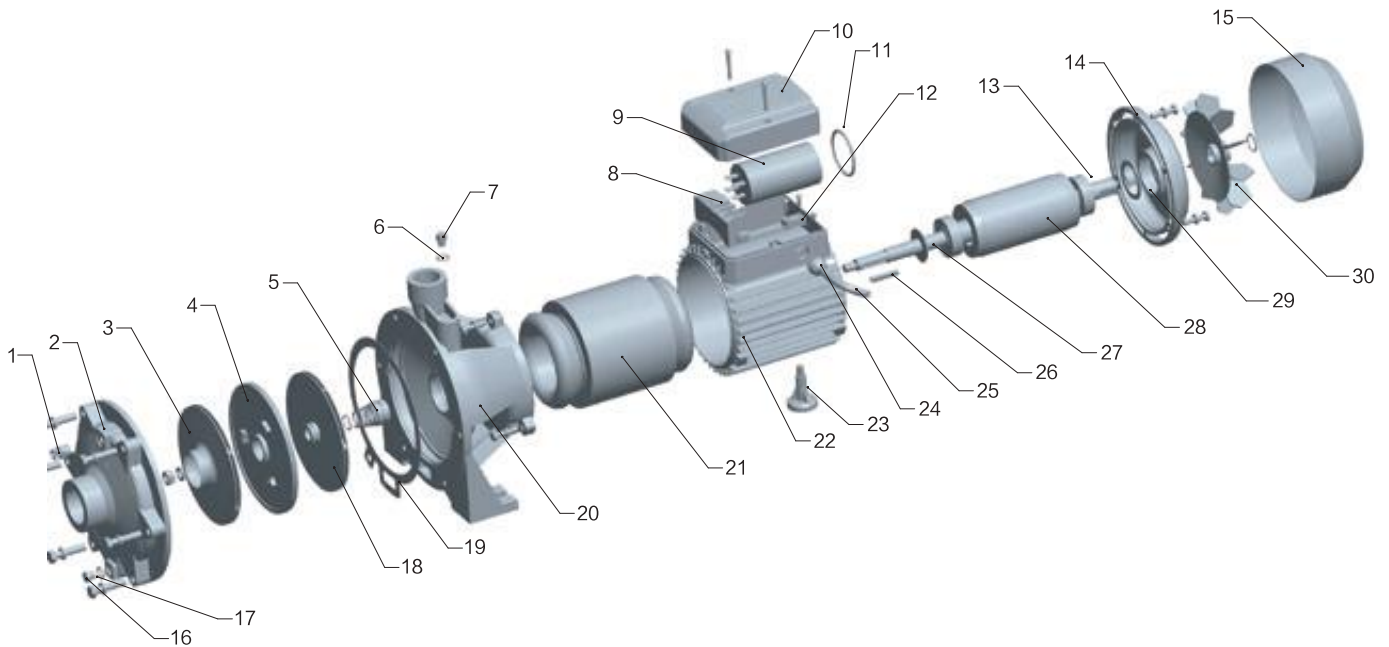
- NSK bearing
- Motor whose insulation class is F

## Performance Curve



Model	Power		Max. Flow (m <sup>3</sup> /h)	Max. Head (m)	Head Range (m)	Max. Suction (m)
	kW	HP				
Single-Phase 230V						
2SGPm25/130	0.75	1	6	42	7-42	8
2SGPm25/140	1.1	1.5	10.2	42	17-42	8
2SGPm25/160B	1.5	2	12	50	22-50	8

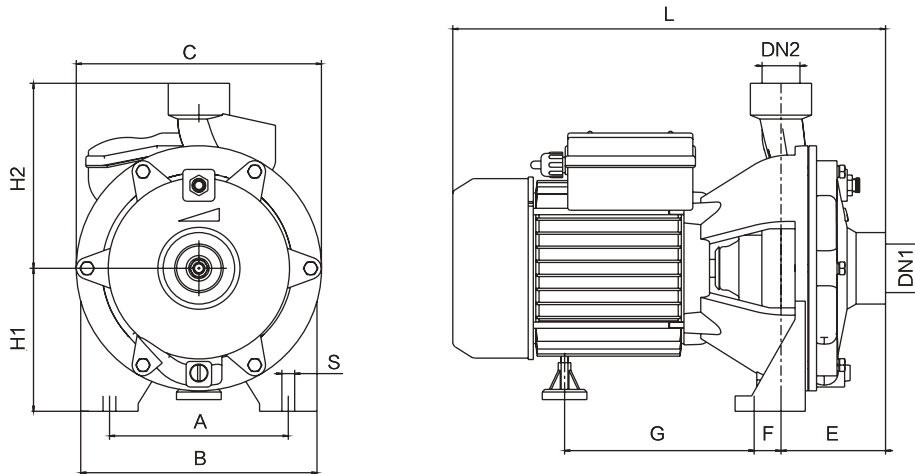
## Components & Materials



No.	Component	No.	Component	No.	Component
1	Air Faucet	12	Cable Control Cover	23	Foot
2	Pump Body	13	Bearing	24	Cable Sleeve
3	Impeller	14	End Cover	25	Cable
4	Pump Cover	15	Fan Cover	26	Key
5	Mechanical Seal	16	Water Faucet	27	Waterproof Ring
6	O-ring	17	O-ring	28	Rotor
7	Air Faucet	18	Impeller	29	Wave Spring
8	Terminal Board	19	Gasket	30	Fan
9	Capacitor	20	Coupling		
10	Terminal Block Cover	21	Stator		
11	O-ring	22	Motor Case		

NO.	Model	2SGPm25/130	2SGPm25/140	2SGPm25/160B
9	Capacitor( $\mu$ F)	20 $\mu$ F/450V	40 $\mu$ F/450V	45 $\mu$ F/450V
13	Bearing	6202-2RZ	6204-2RZ	
	Motor Shaft	304+Steel 45#		
5	Mechanical Seal	155-14/28 S:A(P) /Stationary seal ring $\varnothing$ 26 L pad	155-17/30 S:A(P)/Stationary seal ring $\varnothing$ 27 L pad	
		A:Graphite S:RBSC P:NBR		
22	Motor Bracket	Aluminum		
20	Coupling	Cast iron		
2	Pump Body	Cast iron		
3/18	Impeller	Brass	AISI 304	

## Dimensions & Weight



Model	DN1	DN2	Dim.(mm)										N.W. (kg)
			(Inch)		A	B	C	E	F	G	L	S	
2SGPm25/130	1.25	1	140	185	192	82	21	148.5	339	10	112	145	15
2SGPm25/140	1.5	1	165	210	215	88	34	185	395.5	10	112	150	22
2SGPm25/160B	1.5	1	165	210	215	88	34	185	395.5	10	112	150	25

## Packing Size & Weight

Model	Dim.(L×W×H)	G.W.(kg)	20'Loading Qty. (pcs)
2SGPm25/130	400×250×295	17	1270
2SGPm25/140	460×270×315	24	885
2SGPm25/160B	460×270×315	27	885

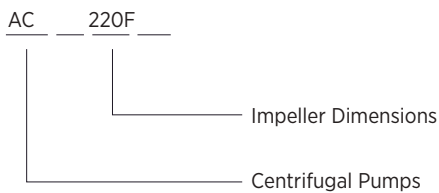






AC-F

### Model Instruction



### Applications Fields

- Suitable for transferring water without abrasive particles or other liquid whose properties are similar to water.
- Widely used in industrial and urban water supply, high-rise building boosting, fire protection system, breeding

### Performance Range

- Max. Flow: 39m<sup>3</sup>/h
- Max. Head: 52m

### Features

- Standard flange centrifugal pump
- Large flow, high efficiency

### Application Limits

- Suction head up to 8m
- Liquid temperature up to +60°C
- Ambient temperature up to +40°C
- Max. Working pressure: 6bar
- Voltage fluctuation should not exceed 10% of rated value.
- pH: 6.5 to 8.5

### Motor

- Three-Phase 400V/50Hz
- Motor: 2 pole asynchronous motor, copper wires, built-in thermal protector, fully closed fan cooling, continuous running
- Protection: IP44
- Insulation: Class B

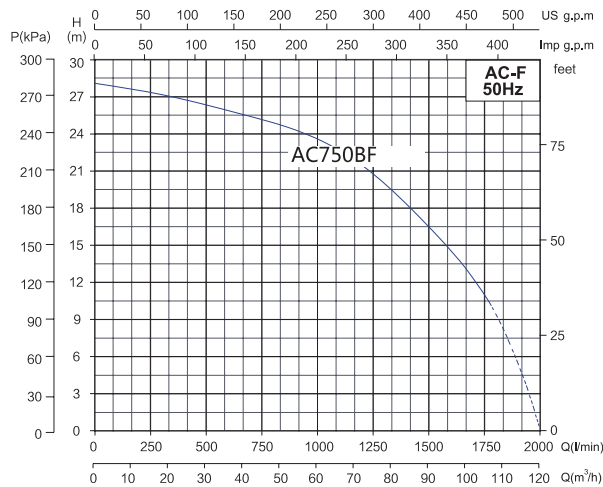
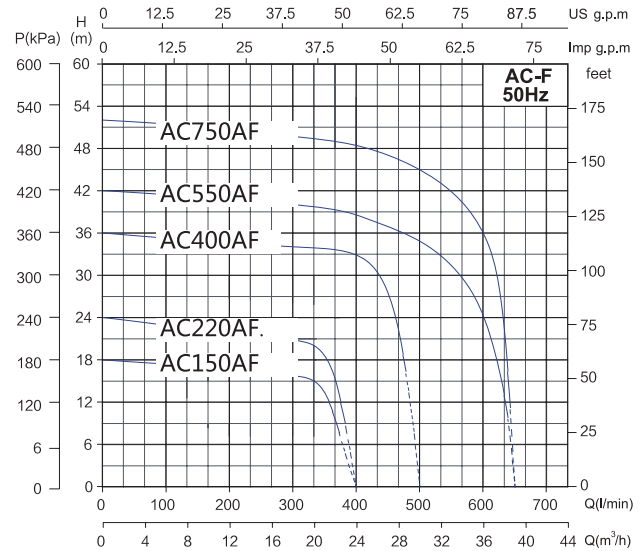
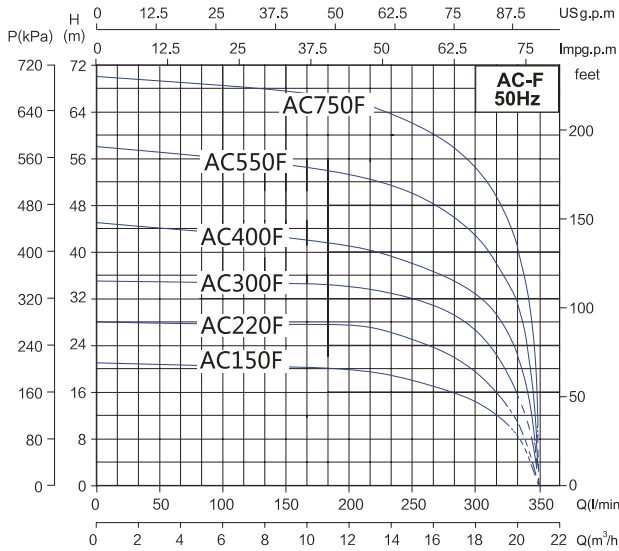
### Certificate



### Optional Available on Request

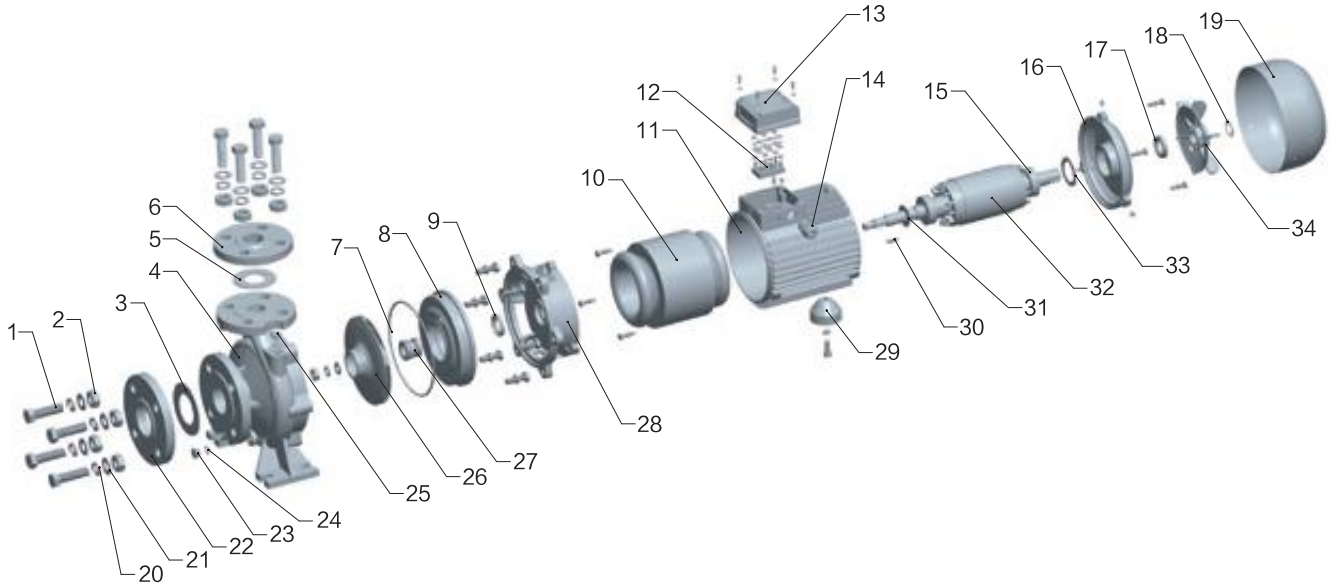
- Motor whose insulation class is F
- NSK bearing

## Performance Curve



Model	Power		Max. Flow (m <sup>3</sup> /h)	Max. Head (m)	Head Range (m)	Max. Suction (m)
	kW	HP				
Three-Phase 400V						
AC150F	1.5	2	21	21	10-21	8
AC220F	2.2	3	21	28	14-28	8
AC300F	3	4	21	35	16-35	8
AC400F	4	5.5	21	45	7-45	8
AC550F	5.5	7.5	21	58	8-58	8
AC750F	7.5	10	21	70	10-70	8
AC150AF	1.5	2	24	18	7-18	8
AC220AF	2.2	3	24	24	9-24	8
AC400AF	4	5.5	30	36	17-36	8
AC550AF	5.5	7.5	39	42	10-42	8
AC750AF	7.5	10	39	52	11-52	8
AC750BF	7.5	10	120	28	10-28	8

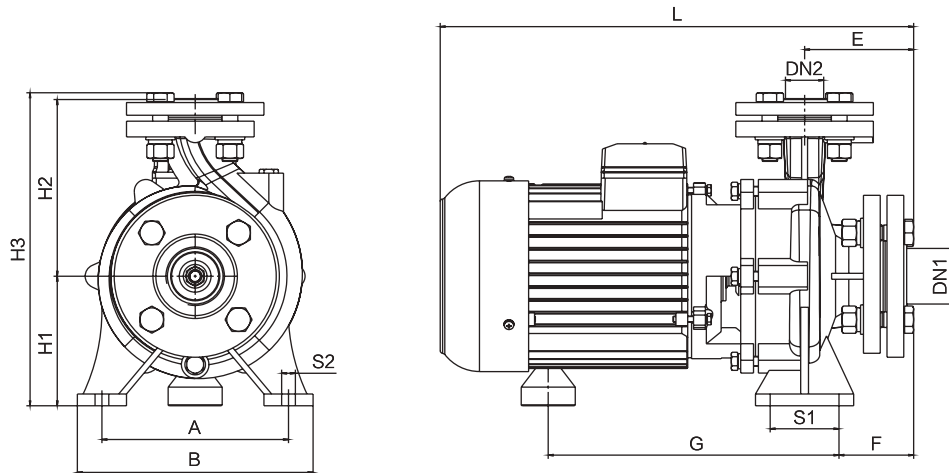
## Components & Materials



No.	Component	No.	Component	No.	Component
1	Tie-Bolt	13	Terminal Block Cover	25	Air Faucet
2	Nut	14	Cable Locking Head	26	Impeller
3	Rubber	15	Bearing	27	Mechanical Seal
4	Pump Body	16	End Cover	28	Coupling
5	Rubber	17	Oil Seal	29	Foot
6	Flange	18	Shaft Circlip	30	Key
7	O-ring	19	Fan Cover	31	Waterproof Ring
8	Pump Cover	20	Spring Gasket	32	Rotor
9	Oil Seal	21	Washer	33	Wave Spring
10	Stator	22	Flange	34	Fan
11	Motor Case	23	Water Faucet		
12	Terminal Board	24	O-ring		

NO.	Power (kW)	1.5	2.2	3	4	5.5	7.5
15	End-cover bearing	6204-2RS/C3Z2	6204-2RS/C3Z2	6205-2RS/C3Z2	6206-2RS/C3Z2	6206-2RS/C3Z2	6208-2RS/C3Z2
	Coupling bearing	6205-2RS/C3Z2	6205-2RS/C3Z2	6205-2RS/C3Z2	6206-2RS/C3Z2	6206-2RS/C3Z2	6208-2RS/C3Z2
	Motor shaft	304+Steel 45#					
27	Mechanical seal	701-20/29 S:K(P)Stationary seal ring ø35			701-25/31 S:K(P)Stationary seal ring ø40		701-28/32 S:K(P) Stationary seal ring ø40
		S:RBSC K: Ceramic P:NBR					
11	Motor Case	Aluminum					
28	Coupling	Cast Iron					
4	Pump body	Cast Iron					
26	Impeller	Cast Iron					
8	Pump Cover	Cast Iron					

## Dimensions & Weight



Model	DN1	DN2	Dim.(mm)										N.W. (kg)	
			(Inch)		A	B	E	F	G	L	S1	S2		H1
AC150F	2	1.25	190	240	111	76	272	441	70	14	132	180	319	32
AC220F	2	1.25	190	240	111	76	280	476	70	14	132	180	319	37
AC300F	2	1.25	190	240	111	76	296	482	70	14	132	180	319	40
AC400F	2	1.25	190	240	111	76	289	511	70	14	160	200	367	52
AC550F	2	1.25	190	240	111	76	299	532	70	14	160	200	367	63.5
AC750F	2	1.25	190	240	111	76	316	581	70	14	160	200	367	74
AC150AF	2.5	1.5	160	210	112	77	272	442	70	14	112	162	281	31
AC220AF	2.5	1.5	160	210	112	77	280	477	70	14	112	162	281	40
AC400AF	2.5	1.5	175	210	112	77	291	514	70	14	132	182	321	51
AC550AF	2.5	1.5	215	265	132	97	296	550	70	14	160	202	369	61
AC750AF	2.5	1.5	215	265	132	97	313	599	70	14	160	202	369	73.5
AC750BF	4	3	215	265	132	97	313	599	70	14	160	202	369	84.5

## Packing Sizes & Weight

Model	Dim.(L×W×H)	G.W. (kg)	20'Loading Qty. (pcs)
AC150F	490×285×355	35	616
AC220F	520×285×355	40	568
AC300F	565×275×390	43	556
AC550F	590×325×440	57	371
AC750F	630×300×440	66	336
AC150AF	660×315×405	79	336
AC220AF	490×255×315	34	774
AC400AF	520×255×315	40	738
AC550AF	590×275×390	56	456
AC750AF	630×300×440	66	350
AC750BF	680×300×440	83.5	324





HSm



HS404E

### Application Limits

- Suction head up to 7m
- Liquid temperature up to +40°C
- Ambient temperature up to +40°C
- Max. Working pressure: 4.8bar
- Voltage fluctuation should not exceed 10% of rated value.
- pH: 6.5 to 8.5

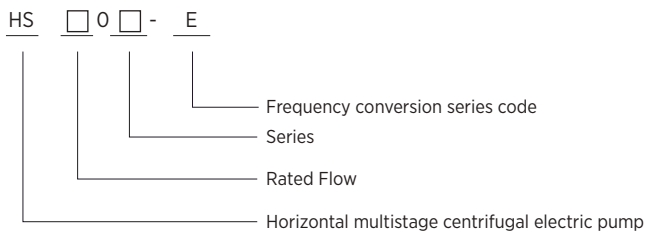
### Certificate



### Applications Fields

- Suitable for transferring water without abrasive particles or other liquid whose properties are similar to water.
- Widely used in garden irrigation, vegetable greenhouse water supply, breeding industry water supply and drainage, various corollary equipment, etc.

### Model Instruction



### Performance Range

- Max. Flow: 9m<sup>3</sup>/h
- Max. Head: 48m

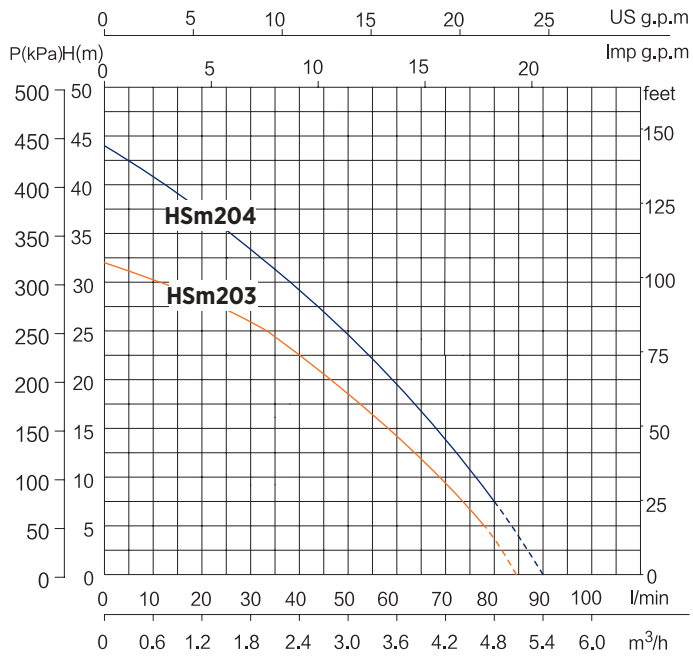
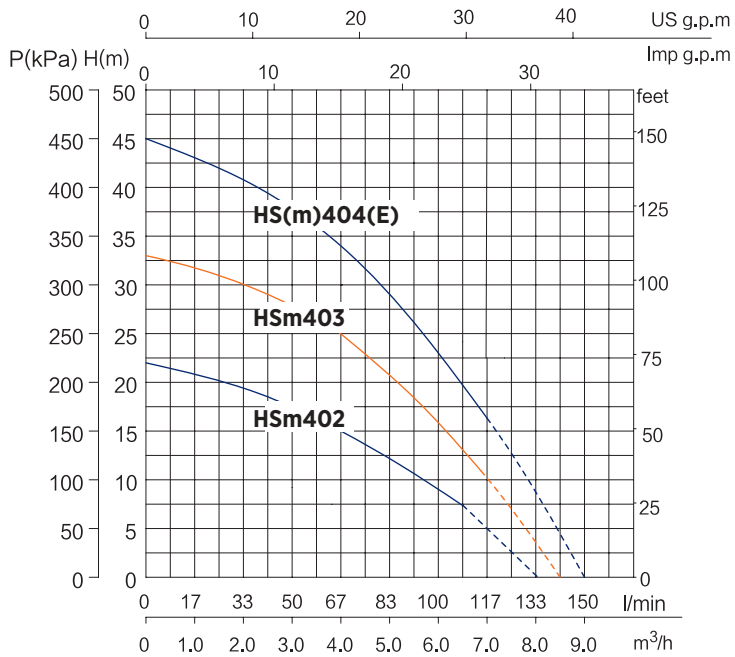
### Basic Configuration

- Mechanical sealing: ceramic / graphite / NBR rubber
- Motor: two asynchronous motors, copper coils, built-in thermal protection, all closed fan-cooled, continuous operation
- Protection: IP44
- Insulation class: B

### Optional Available on Request

- NSK bearing
- Motor whose insulation class is F

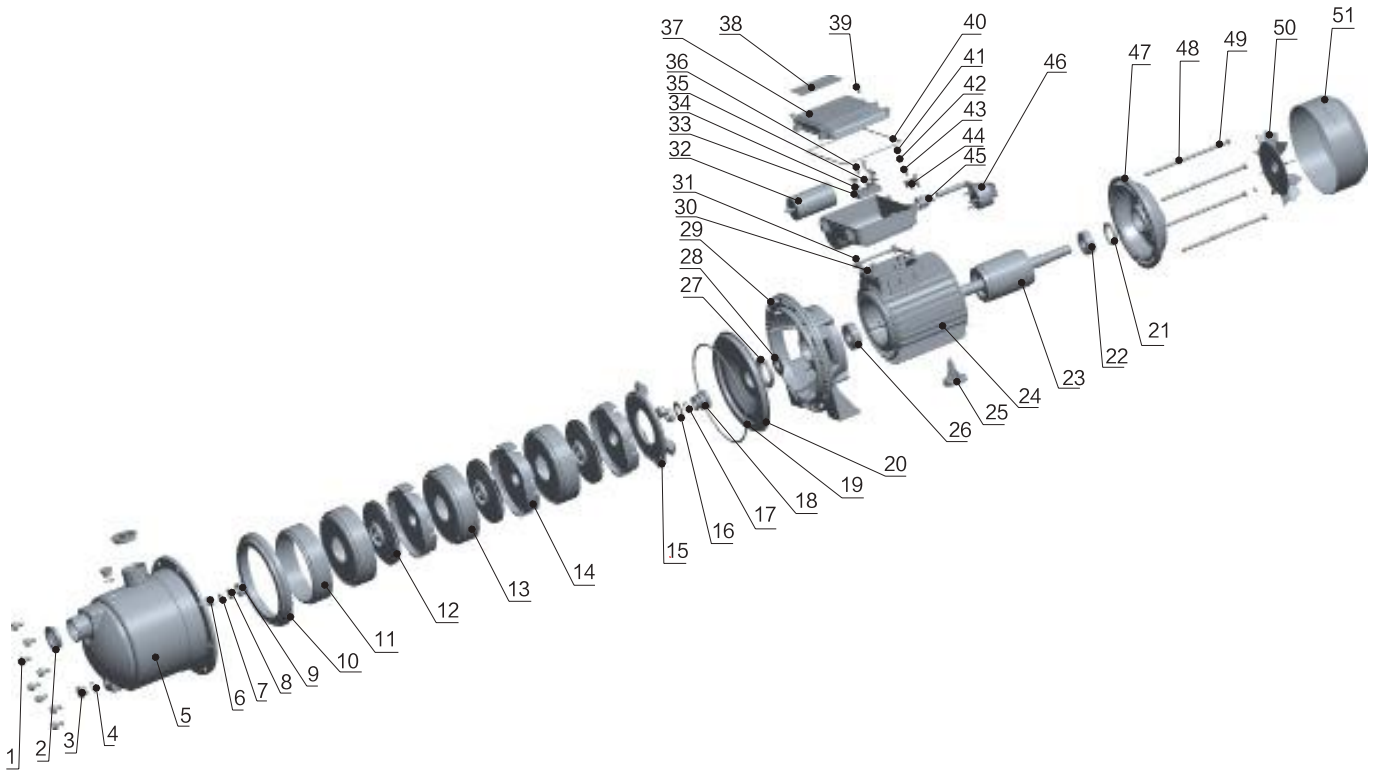
## Performance Curve



Model		Power		Max. Flow (m³/h)	Max. Head (m)	Head Range (m)	Max. Suction (m)
Single-Phase 230V	Three-Phase 400V	kW	HP				
HSm203	HS203	0.46	0.6	5	32	4-32	7
HSm204	HS204	0.55	0.75	5.4	44	4-44	7
HSm402	HS402	0.46	0.6	8	22	4-22	7
HSm403	HS403	0.55	0.75	8.4	33.5	4-33.5	7
HSm404	HS404	0.75	1	9	45	4-45	7
-	HS404E	0.75	1	9	45	10-40	/

Note: No plug 0.3 m, PX404E: The plug is 1.3 meters

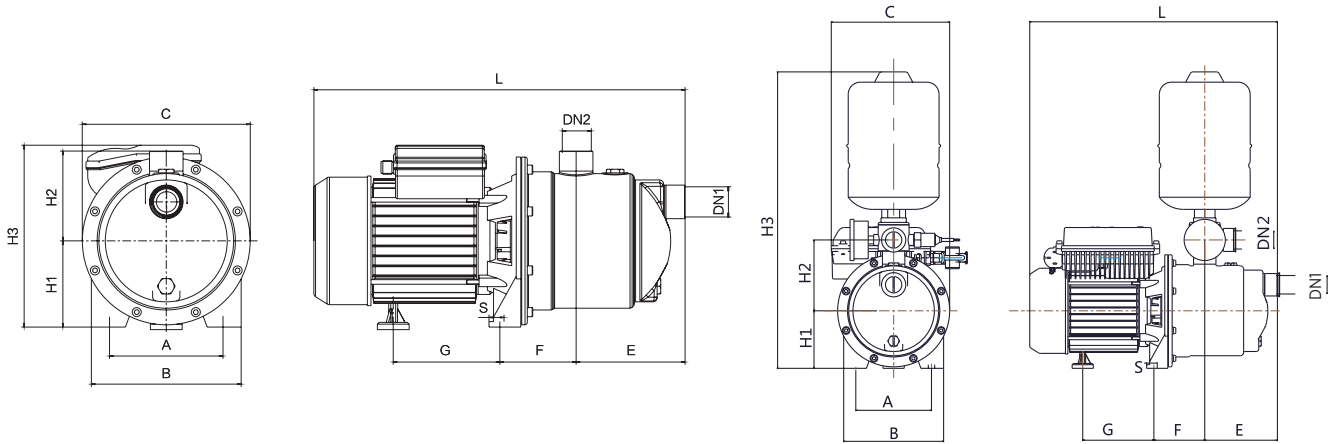
## Components & Materials



No.	Component	No.	Component	No.	Component
1	Hexagon Head Screws in Flange	18	Mechanical Seal	35	Hex Nut
2	Dust Cover	19	O-ring	36	Cross Recessed Screw
3	Air Faucet	20	Pump Cover	37	Terminal Block Set
4	O-ring	21	Wave Spring	38	Nameplate
5	Pump Body	22	Bearing	39	Cross Recessed Tapping Screws
6	Hex Nut	23	Rotor	40	Rubber Washer
7	Spring Washer	24	Stator	41	Srew & Washer Set
8	Flat Washer	25	Foot	42	Locking Washer
9	Bushing	26	Bearing	43	Cross Recessed Tapping Screws
10	Baffle	27	Rubber Washer	44	Cable Platen
11	Washer	28	Retaining Ring	45	Cable Sleeve
12	Impeller	29	Coupling	46	Cable
13	Deflector	30	Rubber Washer	47	End Cover
14	Guide Vane	31	Cross Recessed Screw	48	Spring Washer
15	Deflector Cover	32	Capacitor	49	Hex Bolt
16	Flat Washer	33	Terminal Board	50	Fan
17	Retaining Ring	34	Terminal	51	Fan Cover

No.	Model	HSm203	HSm204	HSm402	HSm403	HSm404	HS203	HS204	HS402	HS403	HS404	HS404E
1	Capacitor(μF)	16 μF/450V	18 μF/450V	16 μF/450V	18 μF/450V	20 μF/450V	/					
2	End cap Bearing						6202-2RZ					
3	Connection Part Bearing						6203-2RZ					
4	Motor Shaft	2Cr13										
5	Mechanical Seal	301-14/21 B:A (PC) Stator Ring $\varnothing$ 28										108-14/25 S:A (PC)
		A:Graphite,K:Impregnated resin sintered graphite,W:;Tungsten carbide,B:Alumina ceramics,F:Fluorine rubber,P:NBR, E:Ethylene propylene rubber,T:Plating Manganese steel with chromium,C:Stainless steel(06Cr19Ni10),H:brass S: Reactive Sintered Silicon Carbide,										
6	Motor Case	Aluminum										
7	Coupling	Aluminum										
8	Pump Body	the stainless steel pump body										
9	Impeller	Plastics PPO+GF30										

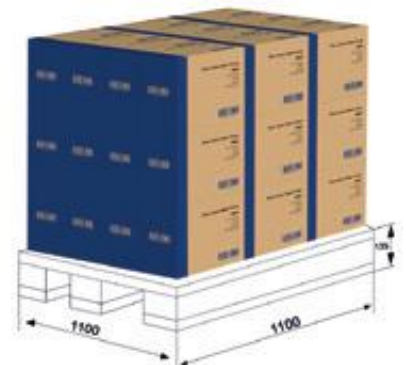
## Dimensions & Weight



Model	DN1	DN2	Dim.(mm)											N.W. (kg)
Single-Phase	Inch		A	B	C	E	F	G	L	S	H1	H2	H3	
HSm203	1	1	125	165	185	120	84	117.5	409	9	95	99	204	10
HSm204	1	1												10.5
HSm402	1	1												11
HSm403	1	1												10.5
HSm404	1	1												11
HS404	1	1	125	165	196	120	84	117.5	409	9	95	117	490	13.7

## Packing Size & Weight

Model		Dim.(L×W×H) mm	G.W. (kg)	20'Loading Qty. (pcs)
Single-Phase	Three-Phase			
HSm203	HS203	460×225×255	10.5	1195
HSm204	HS204		11	
HSm402	HS402		10.5	
HSm403	HS403		11	
HSm404	HS404		11.5	
-	HS404E	450×235×530	15.3	430

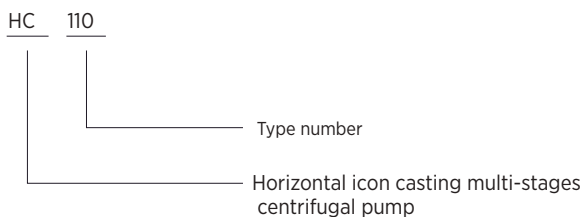






HC

### Model Instruction



### Performance Range

- Max. Head: 55m
- Max. Flow: 5.4m<sup>3</sup>/h

### Application Limits

- Max. liquid temperature: 40°C
- Max. ambient temperature: 40°C
- Max. running pressure: 5.5bar
- Voltage fluctuations should be within ±10% of the rate value.
- PH: 6.5 to 8.5

### Certificate



### Applications Fields

- Domestic water supply
- Landscaping irrigation
- Water pressure boost

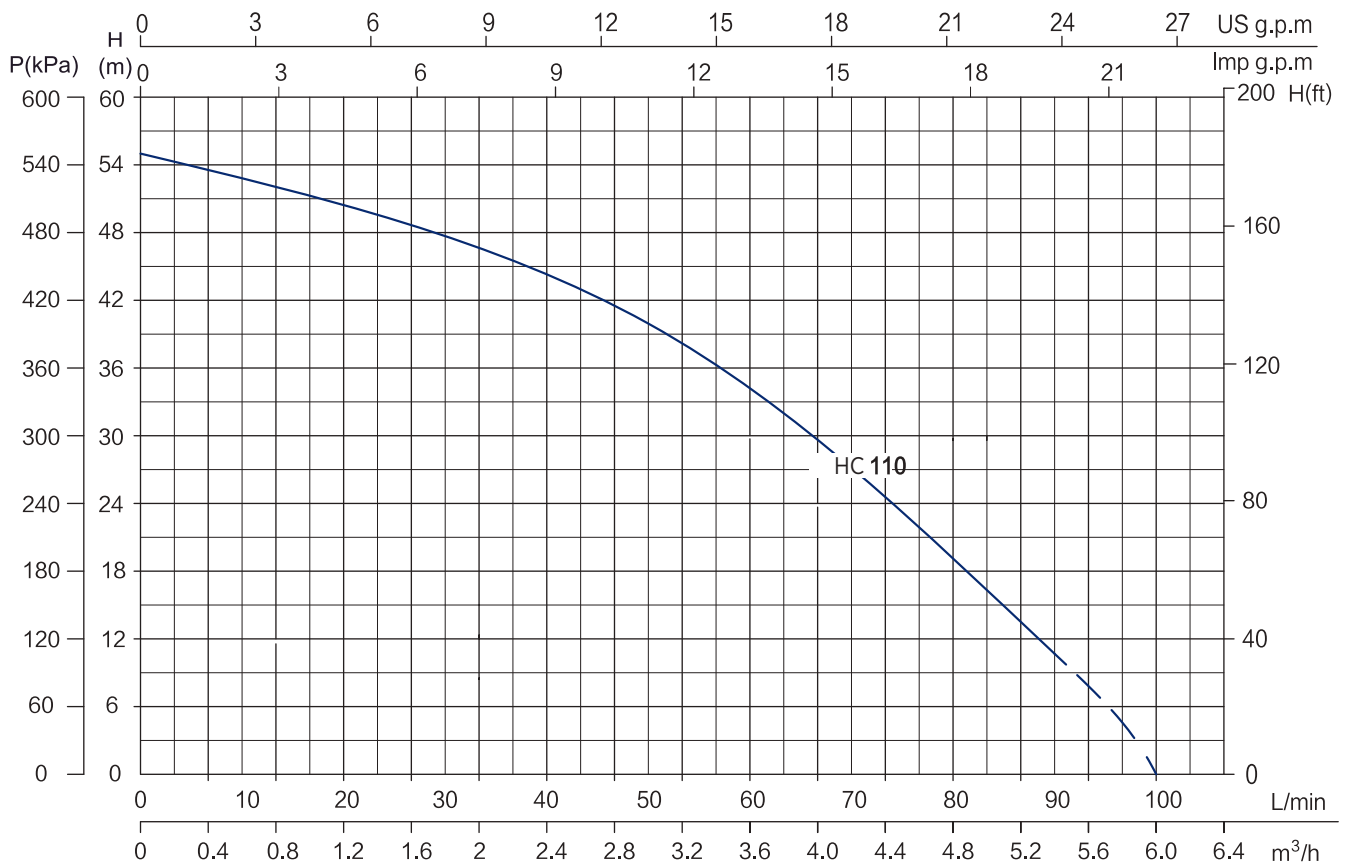
### Basic Configuration

- Connector, pump body, pump bonnet: iron casting rust prevention treatment.
- Impeller: PPO+GF30
- Shaft: 45#
- Mechanical seal: ceramics/ graphite/NBR
- Motor: 2 pole, copper wire, built-in thermal protector, fully enclosed shell
- Continuous service S1 motor
- Enclosure class: IPX4
- Insulation grade: F

### Optional Available on Request

- NSK ball bearing

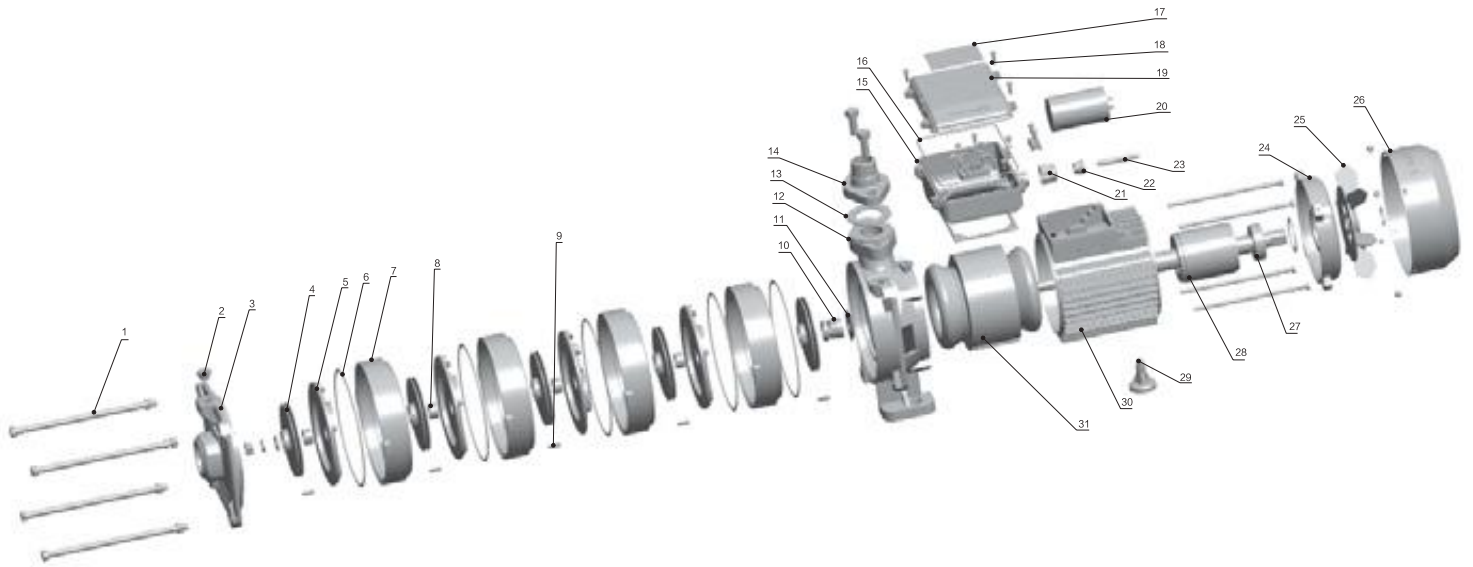
**Performance Curve**



Model	Power		Max. Flow (m³/h)	Max. Head (m)	Head Range (m)	Max. Suction (m)
	kW	HP				
HC110	0.9	1.2	5.4	55	40	7

Note: The cable length is 0.3m, no plug.

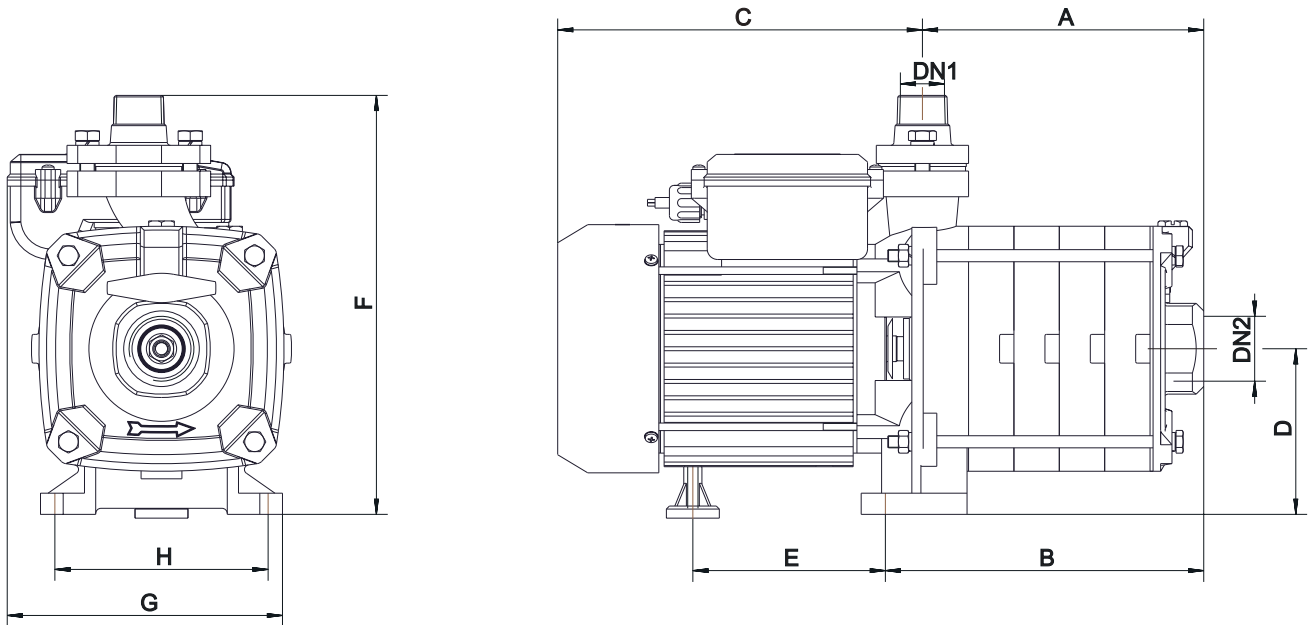
## Components & Materials



No.	Component
1	Hexagonal head bolt
2	Bleed screw
3	Pump cover
4	The brass rotor
5	The impeller
6	O-ring
7	Pump body
8	The brass shaft sleeve
9	Key
10	Mechanical seal,
11	Against hydrosphere
12	Connecting fittings
13	The rubber gasket
14	Outlet
15	Junction box bottom box
16	Rubber washer
17	Nameplate
18	Self tapping screw
19	Junction box above cover
20	Capacitance
21	Cable locks
22	Cable sheath
23	Cable
24	Rear end cover
25	Fan
26	Fan cover
27	Bearing
28	The rotor
29	The bottom foot
30	Chassis
31	Coil

NO.	Model	HC10
23	Capacitor	30 μF/450V
27	End-cover Bearing	6204-2RZ
	Coupling Bearing	6204-2RZ
	Motor Shaft	45 # polishing material
21	Mechanical Seal	301-14/21 B:A (P) (Stationary seal ring ø27)
		A:Graphite,K:Impregnated resin sintered graphite,W::Tungsten carbide,B:Alumina ceramics(YG6),F:Fluorine rubber,P:NBR,E:Ethylene propylene rubber,T:Plating Manganese steel with chromium,C:Stainless steel(06Cr19Ni10),H:brass
25	Motor Bracket	Aluminum
7	Coupling	Aluminum
18	Pump Body	HT200
4	Impeller	Plastics PPO

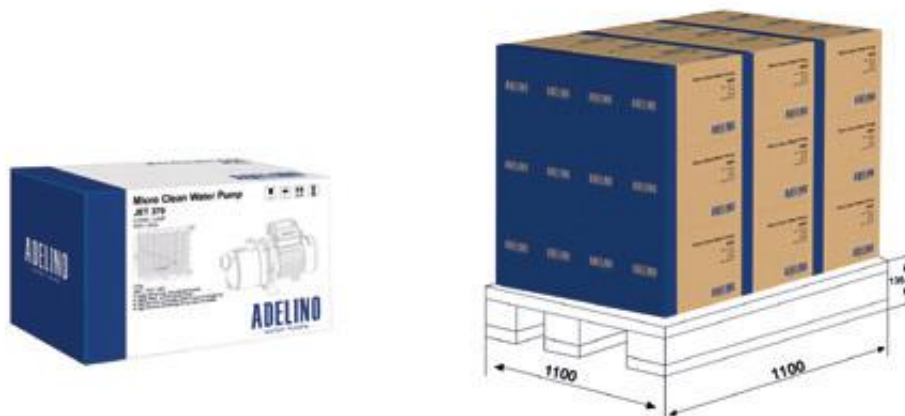
## Dimensions & Weight



Model	DN1	DN2	Dim.(mm)								N.W. (kg)
	Inch		A	B	C	D	E	F	G	H	
HC110	1	1.25	186	204	241	109.5	134	277	188	127	32

## Packing Size & Weight

Model	Dim.(L×W×H) mm	G.W. (kg)	20'Loading Qty. (pcs)
HC110	445x360x660	35	582





AJ-B

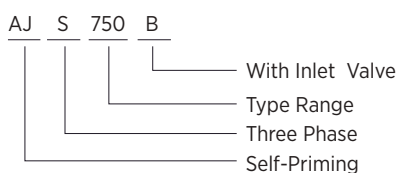


AJ-C



AJ400

### Model Instruction



### Performance Range

- Max. Flow: 6m<sup>3</sup>/h
- Max. Head: 80m

### Application Limits

- Suction head up to 9m
- Liquid temperature up to +40°C
- Ambient temperature up to +40°C
- Max. Working pressure: 5bar
- Voltage fluctuation should not exceed 10% of rated value.
- pH: 6.5 to 8.5

### Certificate



### Applications Fields

- Suitable for transferring water without abrasive particles or other liquid whose properties are similar to water.
- Widely used in living water supply, water tower water supply, well water lifting, automatic irrigation system, various corollary equipment, etc.

### Features

- The JET type self-priming pump
- High suction, with short time
- Different impeller material configuration

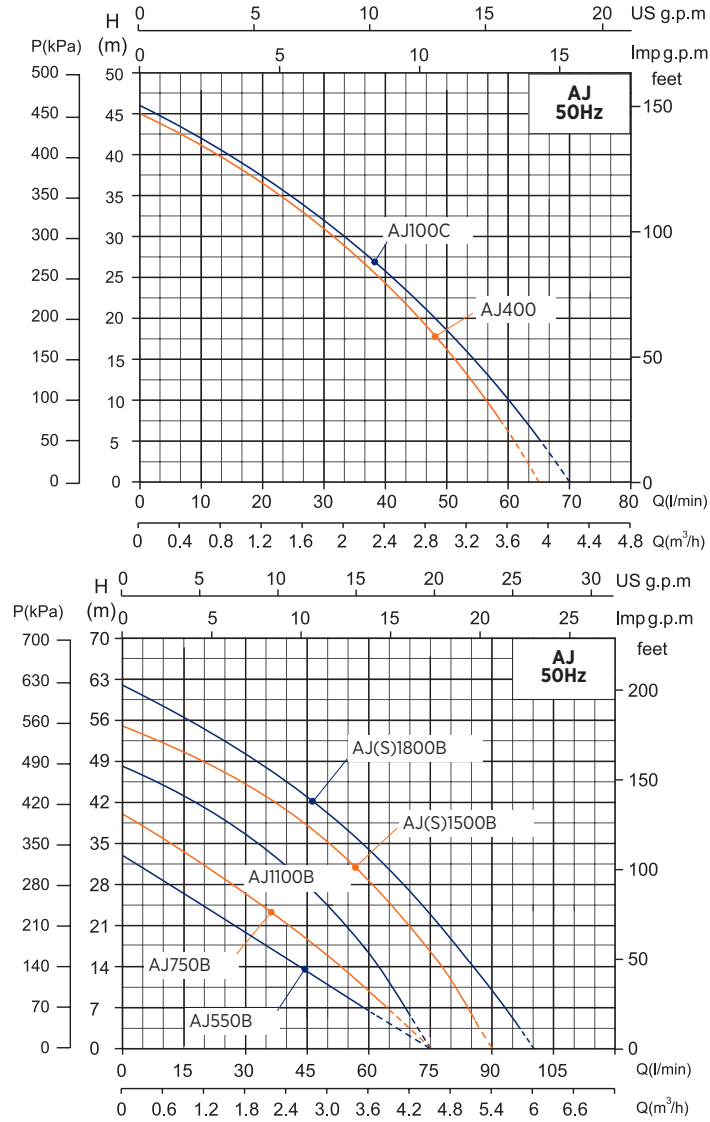
### Motor

- Single-Phase 230V/50Hz
- Three-Phase 400V/50Hz
- Motor: 2 pole asynchronous motor, copper wires, built-in thermal protector, fully closed fan cooling, continuous running
- Protection: IP44
- Insulation: Class B

### Optional Available on Request

- 304 stainless steel welding shaft
- Electrophoretic pump body and connections
- NSK bearing
- Motor whose insulation class is F
- Other voltage or frequency is 60Hz

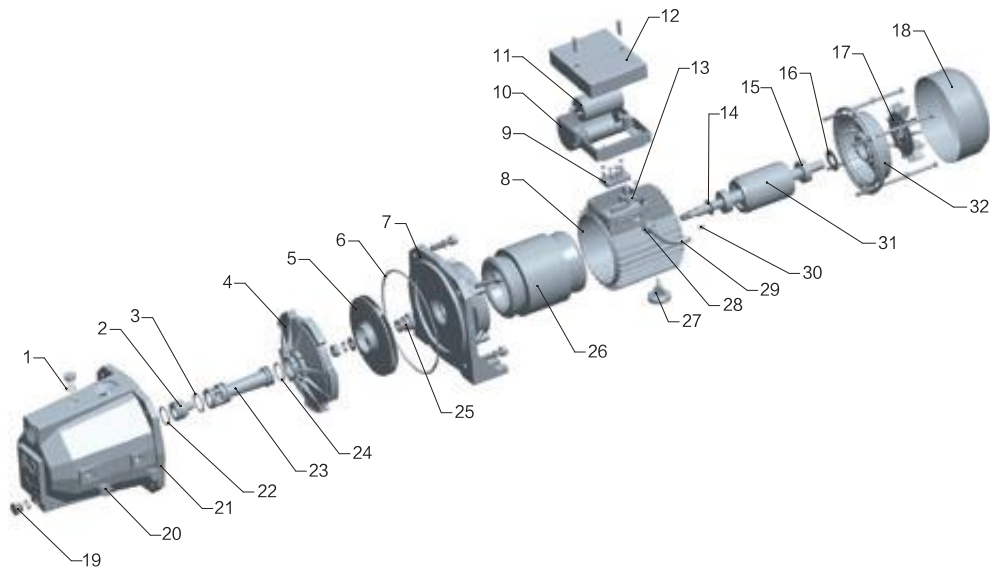
## Performance Curve



Model		Power		Max. Flow (m <sup>3</sup> /h)	Max. Head (m)	Head Range (m)	Max. Suction (m)
Single-Phase 230V	Three-Phase 400V	kW	HP				
AJ100C	-	0.75	1	4.2	46	6-46	9
AJ400	-	0.75	1	3.9	45	7-45	9
AJ550B	-	0.55	0.75	4.5	32	7-32	9
AJ750B	-	0.75	1	4.5	40	7-40	9
AJ1100B	-	1.1	1.5	4.5	48	6-48	9
AJ1500B	AJS1500B	1.5	2	5.4	55	4.5-55	9
AJ1800B	AJS1800B	1.8	2.5	6	62	3.5-62	9

Note: The cable length of single phase pump AJ100C-400 are 0.3m, AJ550B-1800B's are 1.3m, Europe plug;three-phase cable length is 0.3m, no plug.

## Components & Materials

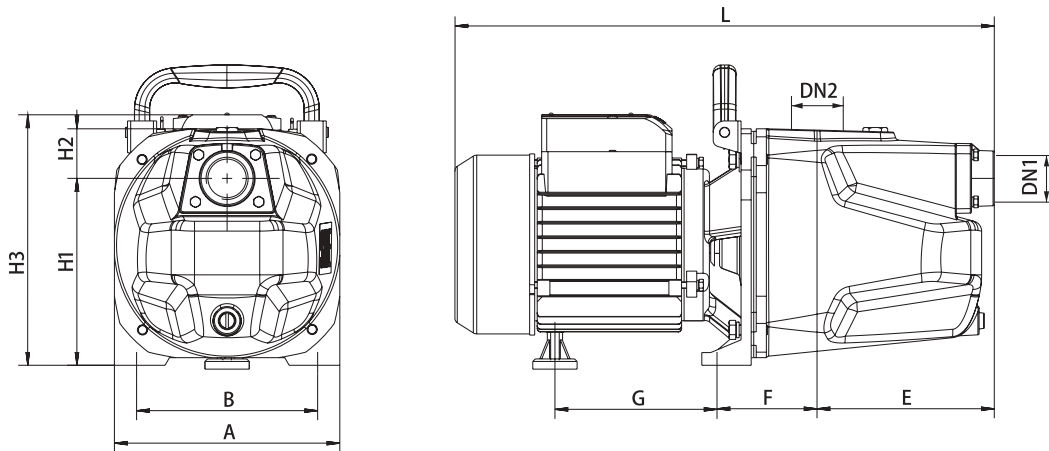


No.	Component	No.	Component	No.	Component
1	O-ring	12	Terminal Block Cover	23	Injection
2	Nozzle	13	Cable Control Cover	24	O-ring
3	O-ring	14	Waterproof Ring	25	Mechanical Seal
4	Guide Vane	15	Bearing	26	Stator
5	Impeller	16	Wave Spring	27	Foot
6	O-ring	17	Fan	28	Cable Sleeve
7	Coupling	18	Fan Cover	29	Cable
8	Motor Case	19	Water Faucet	30	Key
9	Terminal Board	20	Air Faucet	31	Rotor
10	Terminal Block	21	Pump Body	32	End Cover
11	Capacitor	22	O-ring		

NO.	Model	AJ100C	AJ400
11	Capacitor	20 μF/450V	18 μF/450V
15	End-cover Bearing	6202-2RZ	
	Coupling Bearing	6202-2RZ	
	Motor Shaft	Steel 45#	AISI 304+Steel 45#
25	Mechanical Seal	104-14/25 B:A (P) Stationary seal ring ø26	
		A:Graphite B: Ceramic P:NBR	
8	Motor Case	Aluminum	
7	Coupling	Cast Iron	
21	Pump Body	Cast Iron	
5	Impeller	Copper	
4	Guide Vane	Plastics PPO	

NO.	Model	AJ550B	AJ750B	AJ1100B	AJ1500B	AJ1800B	AJS1500B	AJS1800B
11	Capacitor	12 μF/450V	15 μF/450V	20 μF/450V	25 μF/450V	35 μF/450V	/	/
15	End-cover Bearing	6202-2RZ			6204-2RZ			
	Coupling Bearing	6202-2RZ			6204-2RZ			
	Motor Shaft	Steel 45#						
25	Mechanical Case	1006-14/21 S:A (P) Stationary seal ring ø30			1006-17/30 S:A(P) Stationary seal ring ø26.9			
		A:Graphite B: Ceramic P:NBR E:EPDM						
8	Motor Bracket	Aluminum						
7	Coupling	Cast Iron						
21	Pump Body	Cast Iron						
5	Impeller	Plastics PPO						
4	Guide Vane	Plastics PPO						

## Dimensions & Weight



Model		DN1	DN2	Dim.(mm)										N.W. (kg)
Single-Phase	Three-Phase	(Inch)		A	B	E	F	G	L	H1	H2	H3	S	
AJ100C	-	1	1	180	145	143	88.5	101	220	157	29	198	11	16
AJ400	-	1	1	180	145	149.5	96.5	102.5	434.5	154.5	36	198.5	11	17
AJ550B	-	1	1	178	143	140	79	128	426	147	39	197	12	14
AJ750B	-	1	1	178	143	140	79	128	426	147	39	197	12	15
AJ1100B	-	1	1	178	143	140	79	128	426	147	39	197	12	15.5
AJ1500B	AJS1500B	1.5	1.5	207	170	169	92	168	519	167	52	233	11	23/22
AJ1800B	AJS1800B	1.5	1.5	207	170	169	92	168	519	167	52	233	11	24/23



### Packing Sizes & Weight

Model		Dim.(L×W×H)	G.W.(kg)		20'Loading Qty. (pcs)
Single-Phase	Three-Phase	mm	Single-Phase	Three-Phase	
AJ100C	-	445×200×220	16.5	-	1480
AJ400	-	470×200×204	17.5	-	1606
AJ550B	-	465×205×220	14.5	-	1420
AJ750B	-		15.5	-	
AJ1100B	-		16	-	
AJ1500B	AJS1500B	555×240×265	24.5	23.5	918
AJ1800B	AJS1800B		26	24.5	





AJ-A



### Application Limits

- Suction head up to 9m
- Liquid temperature up to +40°C
- Ambient temperature up to +40°C
- Max. Working pressure: 6bar
- Voltage fluctuation should not exceed 10% of rated value.
- pH: 6.5 to 8.5

### Certificate



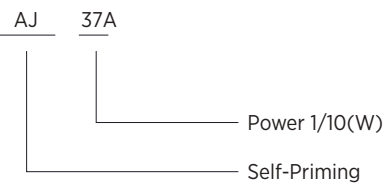
### Applications Fields

- Suitable for transferring water without abrasive particles or other liquid whose properties are similar to water.
- Widely used in well water lifting, garden irrigation, vegetable greenhouse water supply, breeding industry water supply and drainage, pipeline boosting, etc.

### Features

- Complete models
- Copper impeller, stainless steel pump cover
- Pump body with installation foot set

### Model Instruction



### Motor

- Single-Phase 230V/50Hz
- Motor: 2 pole asynchronous motor, copper wires, built-in thermal protector, fully closed fan cooling, continuous running
- Protection: IP44
- Insulation: Class B

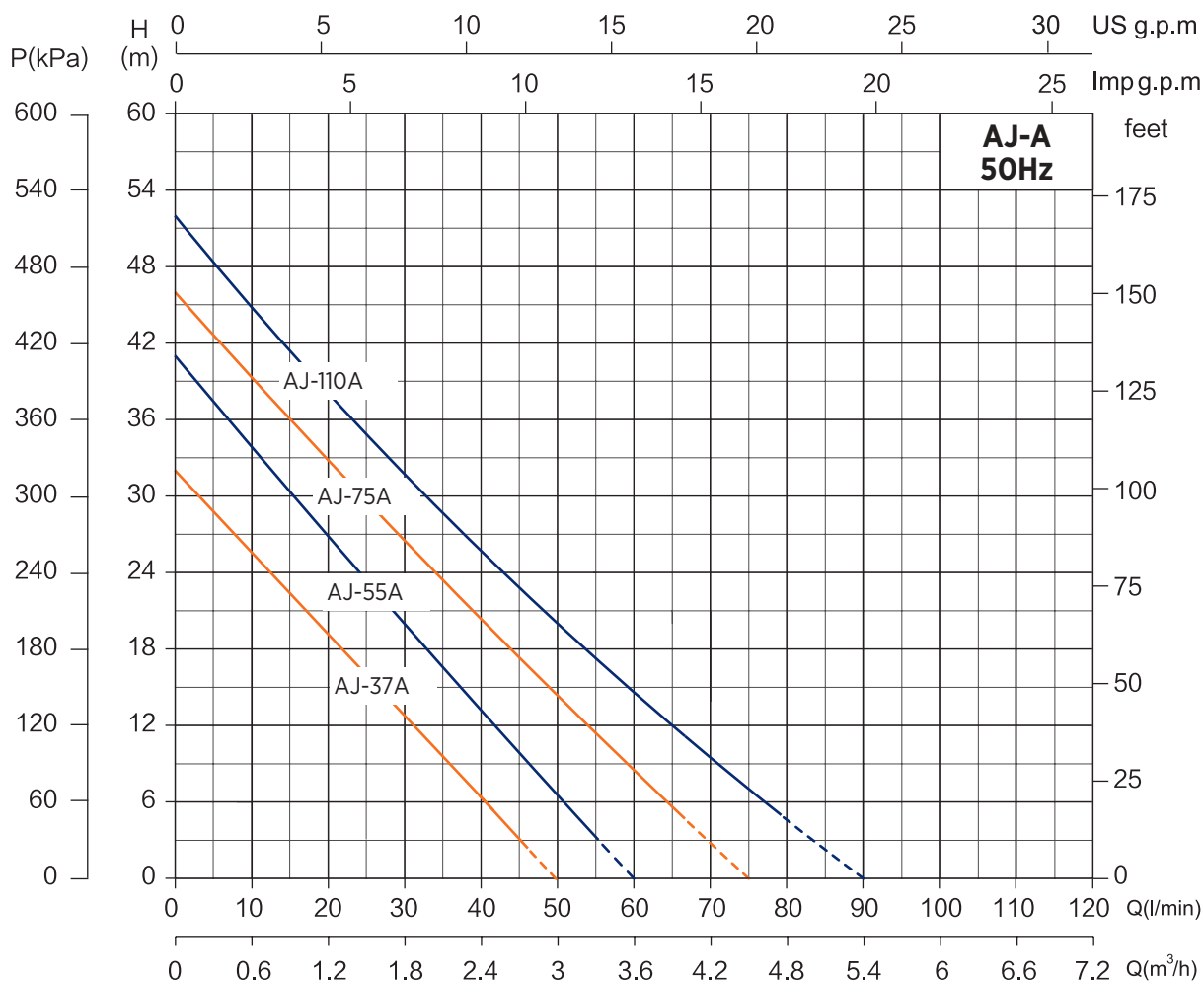
### Performance Range

- Max. Flow: 5.4m<sup>3</sup>/h
- Max. Head: 52m

### Optional Available on Request

- 304 stainless steel welding shaft
- Electrophoretic pump body and connections
- NSK bearing
- Motor whose insulation class is F
- Other voltage or frequency is 60Hz

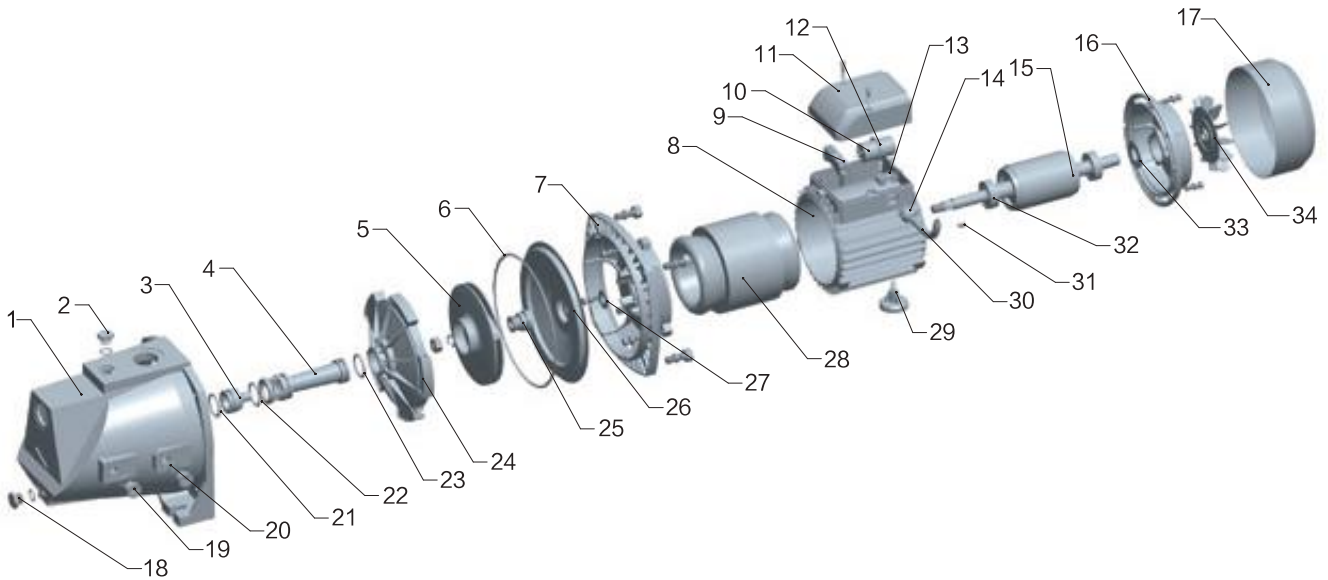
## Performance Curve



Model	Power		Max. Flow (m <sup>3</sup> /h)	Max. Head (m)	Head Range (m)	Max. Suction (m)
	kW	HP				
Single-Phase 230V						
AJ-37A	0.37	0.5	3	32	2.5-32	8
AJ-55A	0.55	0.75	3.6	41	3-41	9
AJ-75A	0.75	1	4.5	46	4.5-46	9
AJ-110A	1.1	1.5	5.4	52	5-52	9

Note: The cable length is 0.3m, no plug.

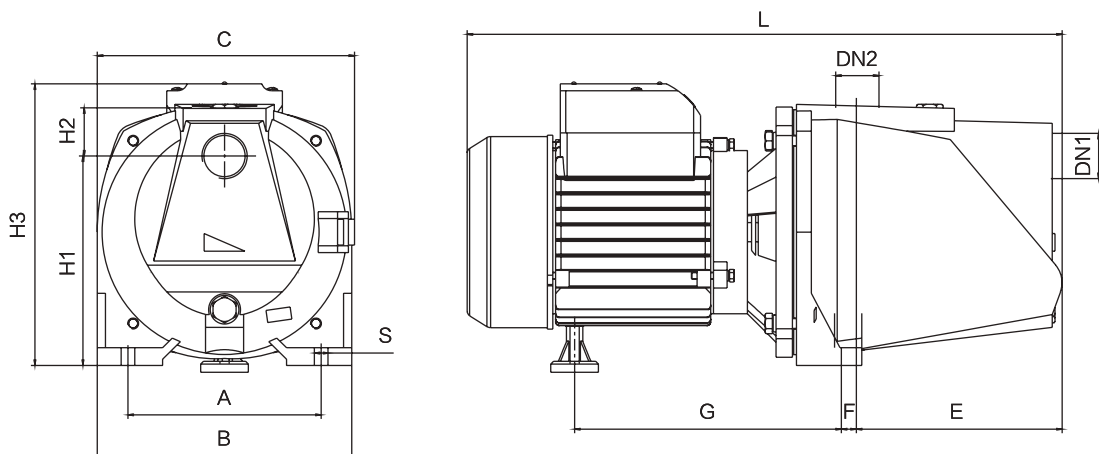
## Components & Materials



No.	Component	No.	Component	No.	Component
1	Pump Body	13	Cable Control Cover	25	Mechanical Seal
2	Air Faucet	14	Cable Sleeve	26	Pump Cover
3	Nozzle	15	Rotor	27	Waterproof Ring
4	Injection Pipe	16	End Cover	28	Stator
5	Impeller	17	Fan Cover	29	Foot
6	O-ring	18	Water Faucet	30	Cable
7	Coupling	19	Air Faucet	31	Key
8	Motor Case	20	O-ring	32	Bearing
9	Terminal Board	21	O-ring	33	Wave Spring
10	Capacitor	22	O-ring	34	Fan
11	Terminal Block Cover	23	O-ring		
12	O-ring	24	Guide Vane		

NO.	Model	AJ-37A	AJ-55A	AJ-75A	AJ-110A
10	Capacitor(μF)	8 μF/450V	15 μF/450V	20 μF/450V	30 μF/450V
32	Bearing	6201-2RZ	6202-2RZ		
	Motor Shaft	45#			
25	Mechanical Seal	103-12/20.5 B:A(P) Stationary seal ring ø26	104-14/25 B:A (P) Stationary seal ring ø26	301-14/21 S:A(P) Stationary seal ring ø30	104-14/25 B:A (P) Stationary seal ring ø26
		A:Graphite B: Ceramic S:RBSC P:NBR			
8	Motor Case	Aluminum			
7	Coupling	Aluminum YL102	Cast Iron	Aluminum YL102	Cast Iron
1	Pump Body	Cast Iron			
5	Impeller	Copper			
24	Guide Vane	Plastics PPO			

## Dimensions & Weight



Model	DN1	DN2	Dim.(mm)											N.W. (kg)
			(Inch)		A	B	C	E	F	G	L	H1	H2	
AJ-37A	1	1	122	160	160	89	27	158	346.5	129.5	33.5	176.5	10	8
AJ-55A	1	1	142	187	189	144	11	196	430	154	38	207	10	15
AJ-75A	1	1	142	187	189	144	11	196	416	154	38	207	10	14.5
AJ-110A	1	1	142	187	189	144	11	196	430	154	38	207	10	17

## Packing Size & Weight

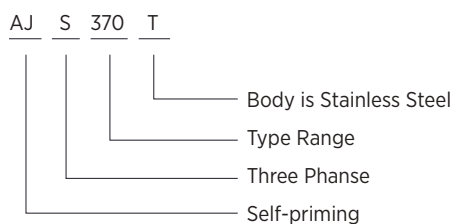
Model	Dim.(L×W×H) mm	G.W. (kg)	20' Loading Qty. (pcs)
AJ-37A	390×190×230	8.5	1878
AJ-55A	475×195×230	15.5	1460
AJ-75A		15	
AJ-110A		17.5	





AJS-T

### Model Instruction



### Applications Fields

- Suitable for transferring water without abrasive particles or other liquid whose properties are similar to water.
- Widely used in well water lifting, garden irrigation, vegetable greenhouse water supply, breeding industry water supply and drainage, pipeline boosting, etc.

### Performance Range

- Max. Flow: 6m<sup>3</sup>/h
- Max. Head: 48m

### Features

- 304 stainless steel pressed tensile pump body & pump cover
- Hydraulic optimization design, excellent performance
- Nozzle, guide vane and the impeller PPO engineering plastics
- Products are complete in specifications, meet drinking water standards

### Application Limits

- Suction head up to 9m
- Liquid temperature up to +40°C
- Ambient temperature up to +40°C
- Max. Working pressure: 6bar
- Voltage fluctuation should not exceed 10% of rated value.
- pH: 6.5 to 8.5

### Motor

- Single-Phase 230V/50Hz
- Three-Phase 400V/50Hz
- Motor: 2 pole asynchronous motor, copper wires, built-in thermal protector, fully closed fan cooling, continuous running
- Protection: IP44
- Insulation: Class B

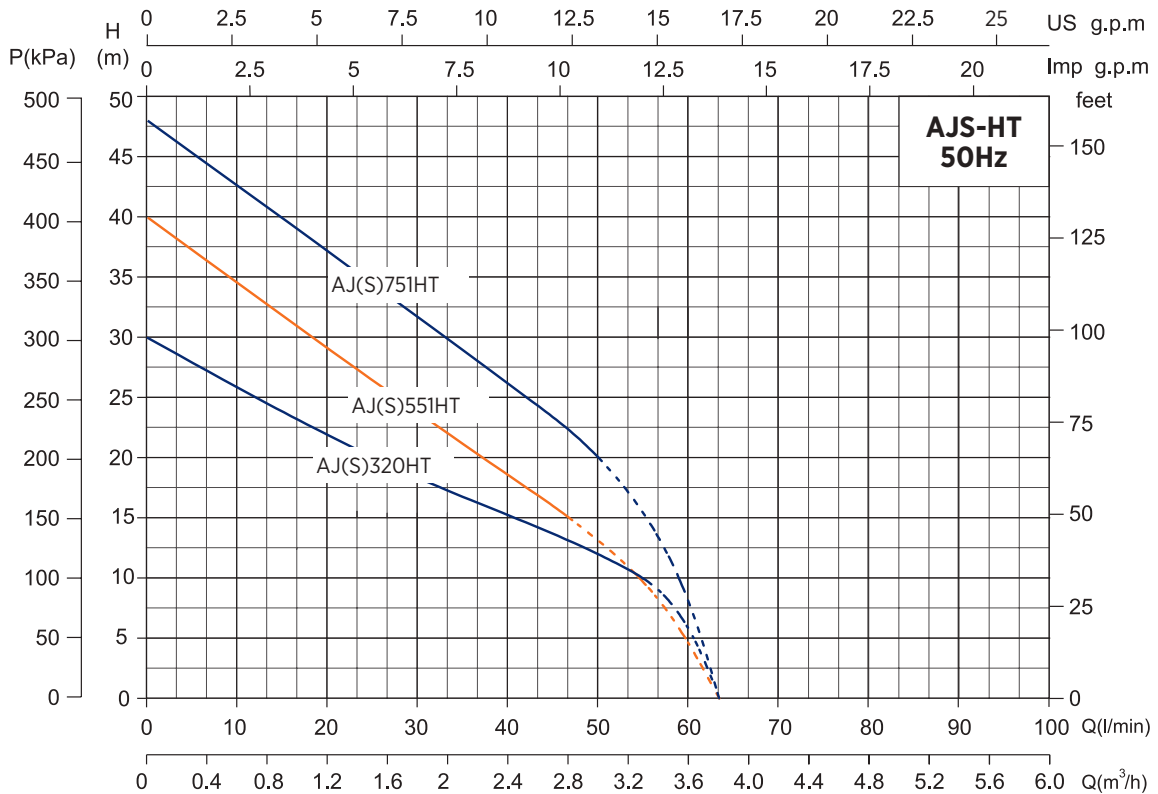
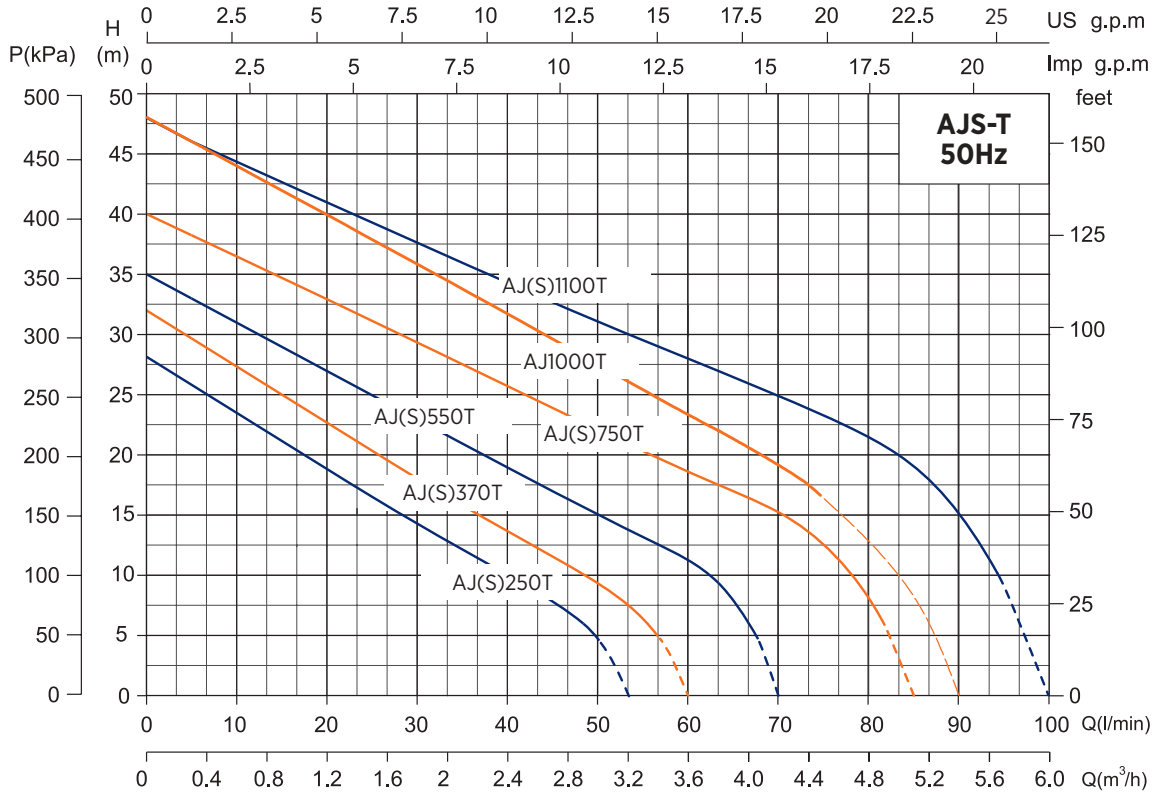
### Certificate



### Optional Available on Request

- NSK bearing
- Motor whose insulation class is F
- Other voltage or frequency is 60Hz

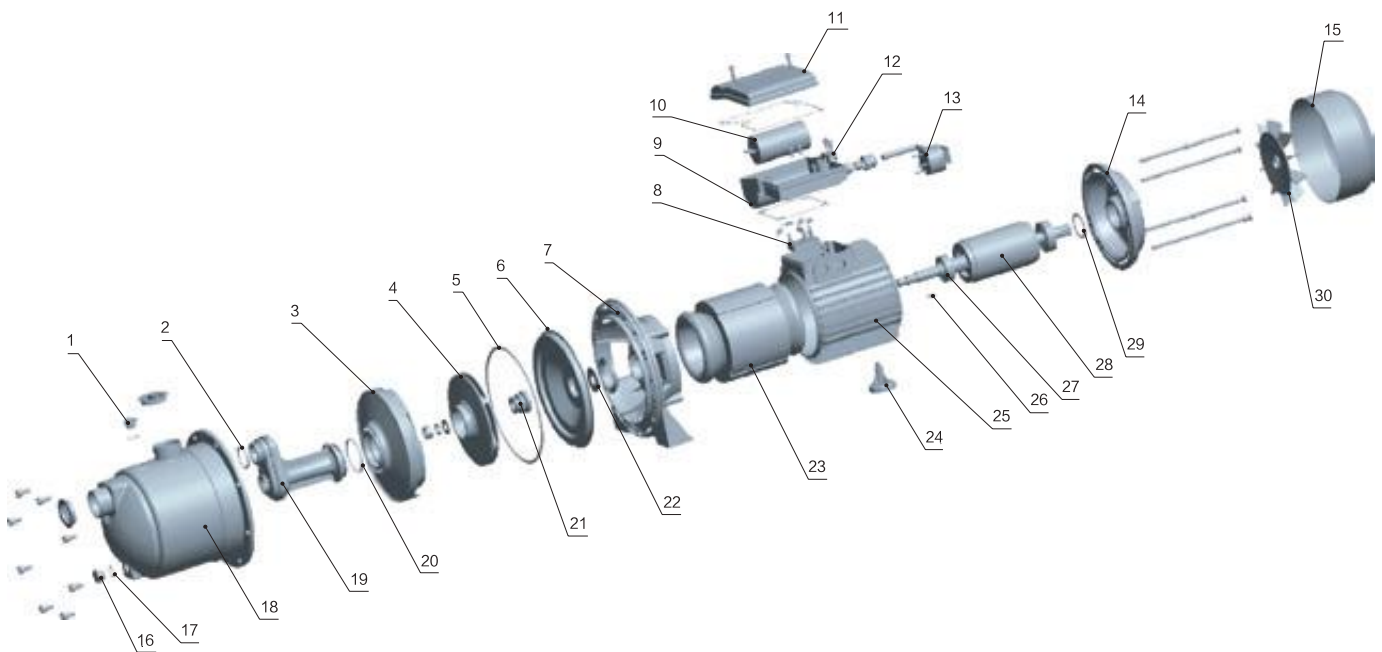
**Performance Curve**



Model		Power		Max. Flow (m <sup>3</sup> /h)	Max. Head (m)	Head Range (m)	Max. Suction (m)
Single-Phase 230V	Three-Phase 400V	kW	HP				
AJS25T	AJS25T	0.25	0.37	3.2	28	4-28	8
AJS37T	AJS37T	0.37	0.5	3.6	32	5-32	8
AJS55T	AJS55T	0.55	0.75	4.2	35	4-35	9
AJS75T	AJS75T	0.75	1	5.1	40	5.5-40	9
AJS110T	AJS110T	1.1	1.5	6	48	9-48	9
AJS37FT	AJS37FT	0.37	0.5	3.8	30	2-30	7
AJS55HT	AJS55HT	0.55	0.75	3.8	40	2-40	9
AJS75HT	AJS75HT	0.75	1	3.8	48	2-48	9
AJS1000T	-	1.0	1.34	5.4	48	9-48	9

Note: No plug 0.3 m

## Components & Materials



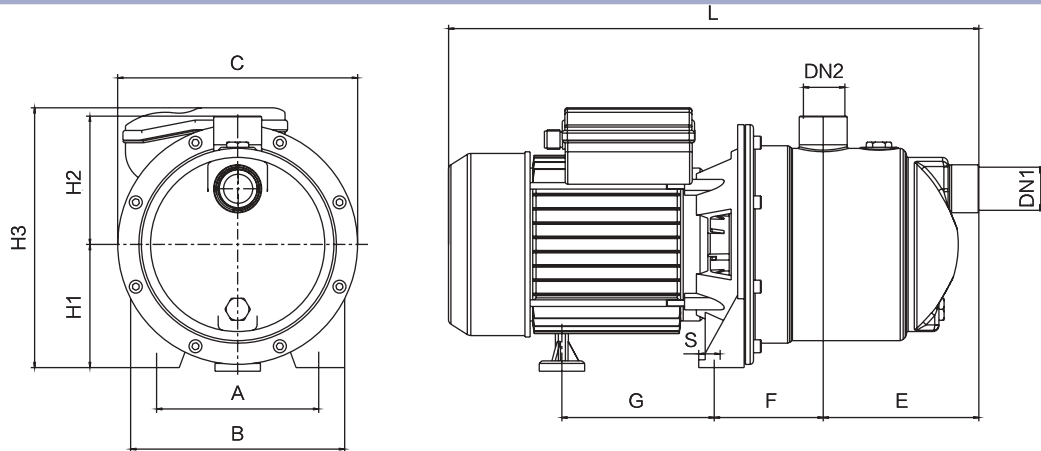


No.	Component	No.	Component	No.	Component
1	Bleed Screw	11	Terminal Box Cover	21	Mechanical Sea
2	O-ring	12	Cable Guard	22	Water Deflector
3	Guide Vanes	13	Cable	23	Stator Core Assembly
4	Impeller	14	End Shield	24	Foot
5	O-Ring	15	Fan Cover	25	Motor Case
6	Pump Cover	16	Bleed Screw	26	Key
7	Coupling	17	O-ring	27	Bearing
8	Terminals	18	Pump Body	28	Rotor
9	Terminal Box	19	Injection	29	Waved Spring
10	Capacitor	20	O-ring	30	Fan

NO.	Model	AJ250T	AJ370T	AJ550T	AJ750T	AJ1100T	AJS250T	AJS370T	AJS550T	AJS750T	AJS1100T	
10	Capacitor	10 µF/450V	15 µF/450V	18 µF/450V	20µF/450V	30µF/450V	/	/	/	/	/	
27	End-cover Bearing	6201-2RZ		6202-2RZ		6204-2RZ		6201-2RZ		6202-2RZ		
	Coupling Bearing	6202-2RZ		6203-2RZ		6204-2RZ		6202-2RZ		6203-2RZ		
	Motor Shaft	AISI 304+Steel 45#										
21	Mechanical Seal	301-12/21 B:A (P) (Stationary seal ring ø26)		301-14/21 B:A (P) (Stationary seal ring ø28)		301-16/21 B:A (P) (Stationary seal ring ø30)		301-12/21 B:A (P) (Stationary seal ring ø26)		301-14/21 B:A (P) (Stationary seal ring ø28)		301-14/21 B:A (P) (Stationary seal ring ø28)
		A:Graphite B: Ceramic P:NBR										
25	Motor Bracket	Aluminum										
7	Coupling	Aluminum										
18	Pump Body	Stainless steel 304										
4	Impeller	Plastics PPO										
3	Guide Vane	Plastics PPO										

NO.	Model	AJ320HT	AJ551HT	AJ751HT	AJ1000HT	AJS320HT	AJS551HT	AJS751HT		
10	Capacitor	12 µF/450V	12 µF/450V	18 µF/450V	AC20 µF/450V	/	/			
27	End-cover Bearing	6201-2RZ		6202-2RZ		6201-2RZ		6202-2RZ		
	Coupling Bearing	6202-2RZ		6203-2RZ		6202-2RZ		6203-2RZ		
	Motor Shaft	AISI 304+Steel 45#								
21	Mechanical Seal	301-12/21 B:A (P) (Stationary seal ring ø26)		301-14/21 B:A (P) (Stationary seal ring ø28)		301-16/21 B:A (P) (Stationary seal ring ø30)		301-12/21 B:A (P) (Stationary seal ring ø26)		301-14/21 B:A (P) (Stationary seal ring ø28)
		A:Graphite,K:Impregnated resin sintered graphite,B: Ceramics,S:RBSC,F:Fluorine rubber,P:NBR,E:Ethylene propylene rubber,T:Plating the Manganese steel with chromium,C:Stainless steel(O6Cr19Ni10),H:Brass.								
25	Motor Bracket	Aluminum								
7	Coupling	Aluminum								
18	Pump Body	Stainless steel 304								
4	Impeller	Plastics PPO								
3	Guide Vane	Plastics PPO								

## Dimensions & Weight



Model		DN1	DN2	Dim.(mm)											N.W. (kg)
Single-Phase	Three-Phase	(Inch)		A	B	C	E	F	G	L	H1	H2	H3	S	
AJS25T	AJS25T	1	1	105	145	165	70	79	106	327	85	90	180	9	5.5/5.5
AJS37T	AJS37T	1	1	105	145	165	110	79	106	367	85	90	180	9	6.5/6.5
AJS55T	AJS55T	1	1	125	165	185	120	84	117.5	409	95	99	204	9	9/9
AJS75T	AJS75T	1	1	125	165	185	120	84	117.5	409	95	99	204	9	10.5/10.5
AJS110T	AJS110T	1	1	145	185	200	124	92	135	441	103	106.5	209.5	9	14/13
AJS37FT	AJS37FT	1	1	105	145	165	110	79	106	367	85	90	180	9	6.2/6.2
AJS55HT	AJS55HT	1	1	125	165	185	120	84	117.5	409	95	99	204	9	8.4/8.5
AJS75HT	AJS75HT	1	1	125	165	185	120	84	117.5	409	95	99	204	9	10.2/10.4
AJS1000T	-	1	1	145	185		124	92	132.5	429.5	103	106.5	215	9	10.5

## Packing Size & Weight

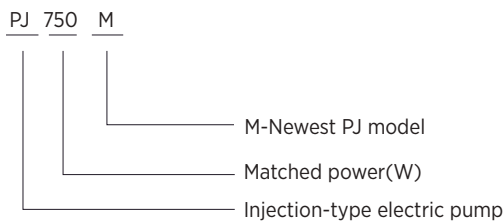
Model		Dim.(L×W×H)	G.W.(kg)		20' Loading Qty. (pcs)
Single-Phase	Three-Phase	mm	Single-Phase	Three-Phase	
AJS25T	AJS25T	370×210×220	6.4	6.4	1750
AJS37T	AJS37T	415×220×240	7	7	1370
AJS55T	AJS55T	460×225×255	9.5	9.5	1195
AJS75T	AJS75T	460×225×255	11	11	
AJS110T	AJS110T	485×245×270	14.5	13.5	936
AJS37FT	AJS37FT	370×210×220	7.1	7.1	1750
AJS55HT	AJS55HT	460×225×255	8.9	9.0	1195
AJS75HT	AJS75HT	460×225×255	10.7	10.9	
AJS1000T	-	460×225×250	11	-	1279





PJ750M

### Model Instruction



### Applications Fields

- Injection pumps of PJ series, featured by small flow, high pressure, strong self-priming, can be widely applied to water-intake way for domestic usage, garden irrigation, pressurization for tap water, well water pumping and aquaculture.

### Performance Range

- Max head: 30m
- Max flow: 4.5m<sup>3</sup>/h

### Application Limits

- Medium temperature: No higher than 40°C
- Ambient temperature: No higher than 40°C
- Pump body Max. Pressure: 0.6Mpa
- The PH value of the medium is between 6.5 and 8.5, the volume ratio of solid impurities in the medium is ≤0.1%, and the particle size is ≤0.2mm.
- Voltage fluctuation: No more than ±10% of the rating.

### Features

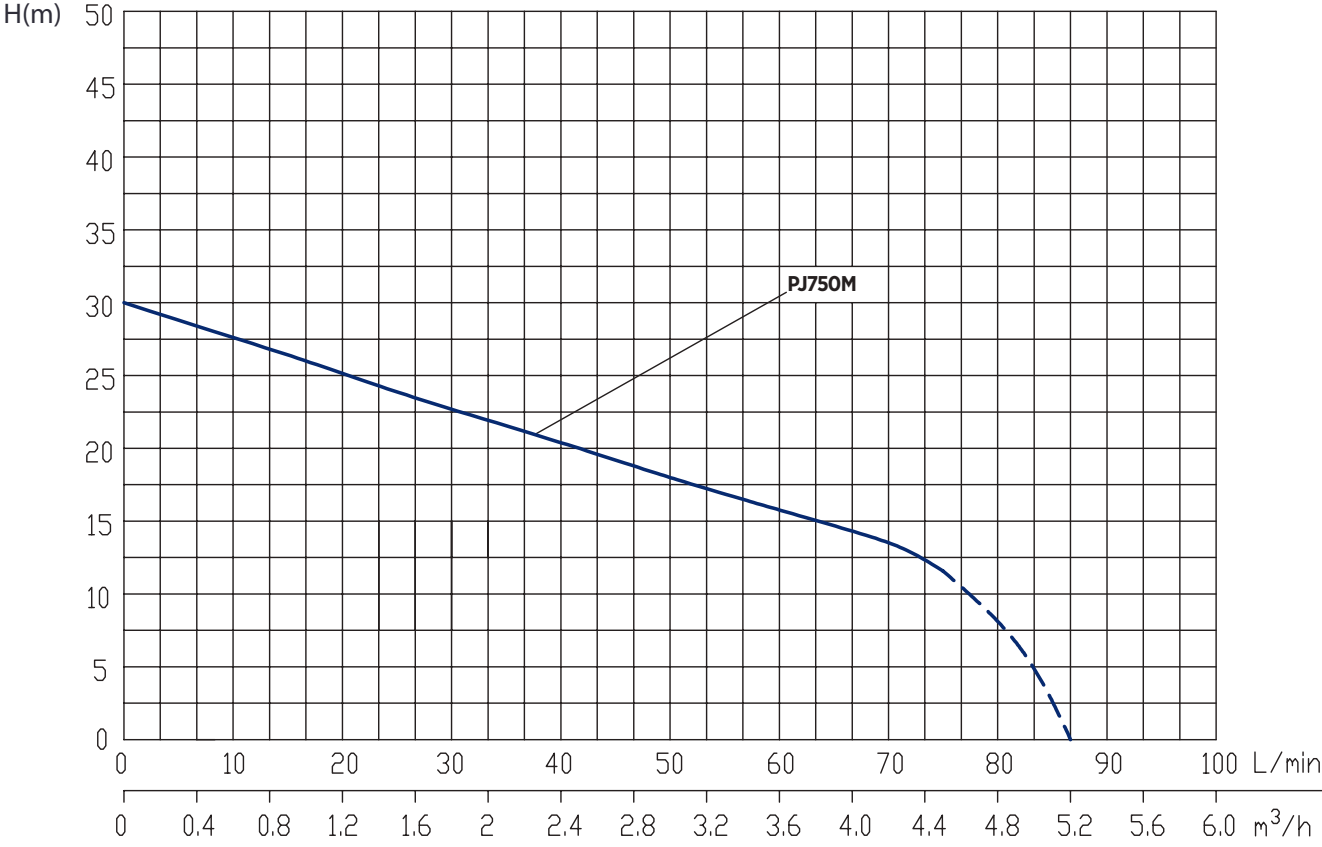
- Pump cover: SS304
- Pump body: HT200
- Guide vane: PPO
- Shaft: 45#
- Coupling/Motor casing/End cover: YL102
- Mechanical seal: Ceramic / Graphite / Nitrile rubber
- Bearing: C&U
- Motor: 2-stages asynchronous motor, copper coil, with thermal protector, continuous operation;
- Level of protection: IP X4
- Insulation grade: B

### Optional Available on Request

### Certificate

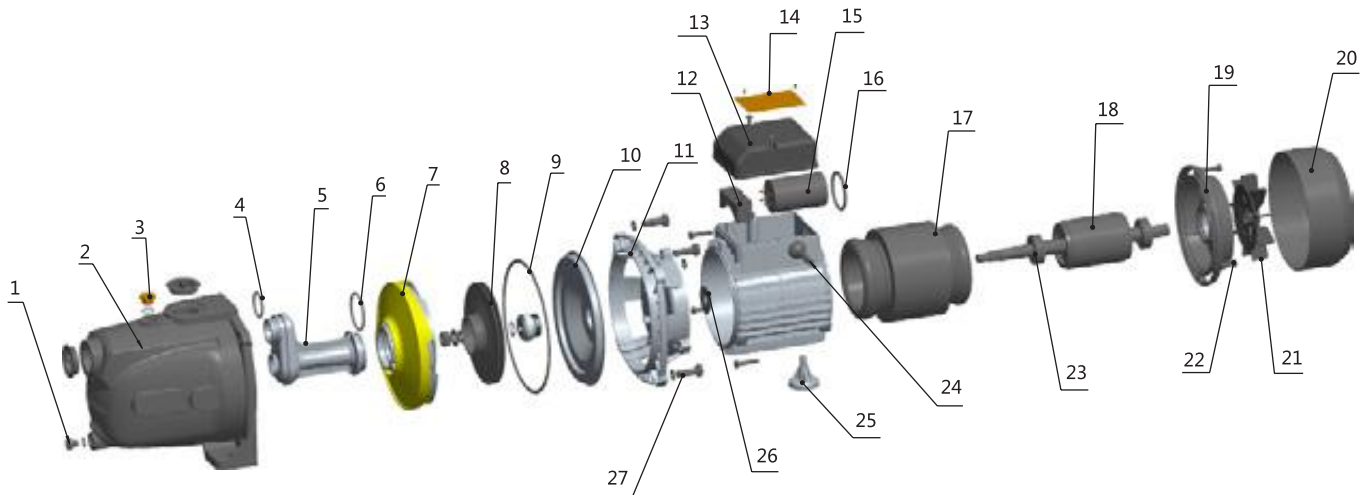


**Performance Curve**



Model	Power		Max. Flow (m <sup>3</sup> /h)	Max. Head (m)	Head Range (m)	Max. Suction (m)
	kW	HP				
PJ750M	0.75		4.5	30	10-30	8

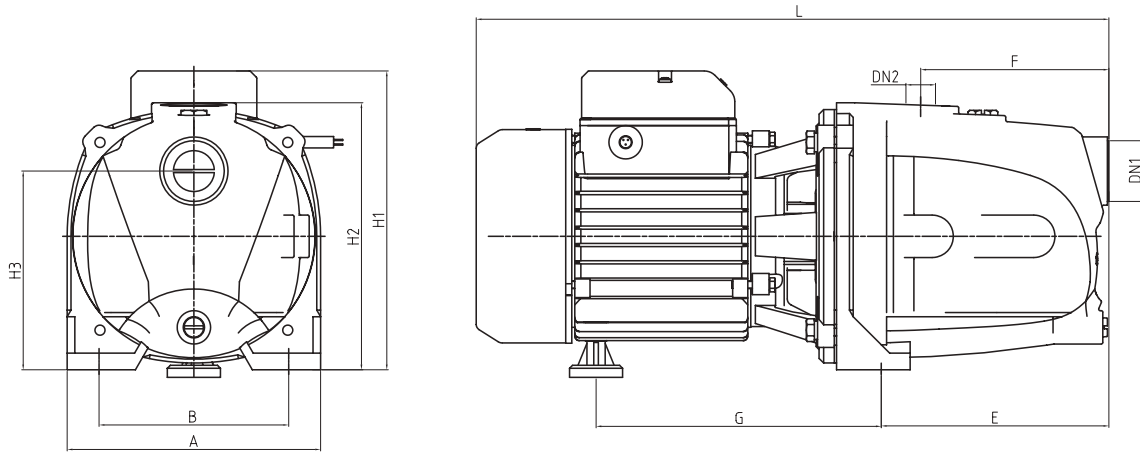
## Components & Materials



NO .	Material	NO .	Material	NO .	Material	NO .	Material
1	Water Faucet	8	Impeller	15	Capacitor	22	Hex head bolt
2	Pump body	9	O-ring	16	O-ring	23	Bearing
3	Air cock	10	Pump cover	17	Stator with copper winding	24	Cable
4	O-ring	11	Coupling	18	Rotor	25	Foot
5	Injection	12	Terminal block cover	19	End cover	26	Waterproof ring
6	O-ring	13	Junction Box	20	Fan cover	27	Hex head bolt
7	Guide vane	14	Nameplate	21	Fan	28	Mechanical seal

Item	Model name	PJ750M
1	Capacitor(μF)	AC20μF/450V
2	End cover bearing	6202-2RZ
3	Coupling bearing	6202-2RZ
4	Motor shaft	45#
5	Mechanical seal	301-14/21 B:A (PC) Φ28
		A: Hot pressed graphite, B: Reaction sintered silicon carbide, P: Nitrile rubber, C: Stainless steel (06Cr19Ni10)
6	Motor casing	Aluminum
7	Coupling	Aluminum
8	Pump body/ End cover	Cast iron
9	Guide vane	PPO
10	Impeller	ZCUZN38

## Dimensions & Weight



Model	DN1	DN2	Dim.(mm)									N.W. (kg)
			A	B	E	F	G	L	H1	H2	H3	
Single-Phase	(Inch)											
PJ750M	1	1	167	125	150	124	188	417	202	176	131	12

## Packing Size & Weight

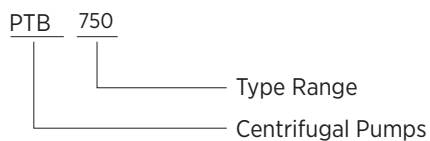
Model	Dim.(L×W×H) mm	G.W. (kg)	20'Loading Qty. (pcs)
PJ750M	455x205x235	12.5	1860





PTB

### Model Instruction



### Performance Range

- Max. head 46m
- Max. flow 4m<sup>3</sup>/h

### Application Limits

- Max. liquid temperature 40°C
- Max. ambient temperature 40°C
- Max. running pressure 6bar
- Voltage fluctuations should not ±10% of rate value.
- PH 6.5 to 8.5

### Certificate



### Applications Fields

- Domestic water supply
- Landscaping irrigation
- Deepwell water pumping

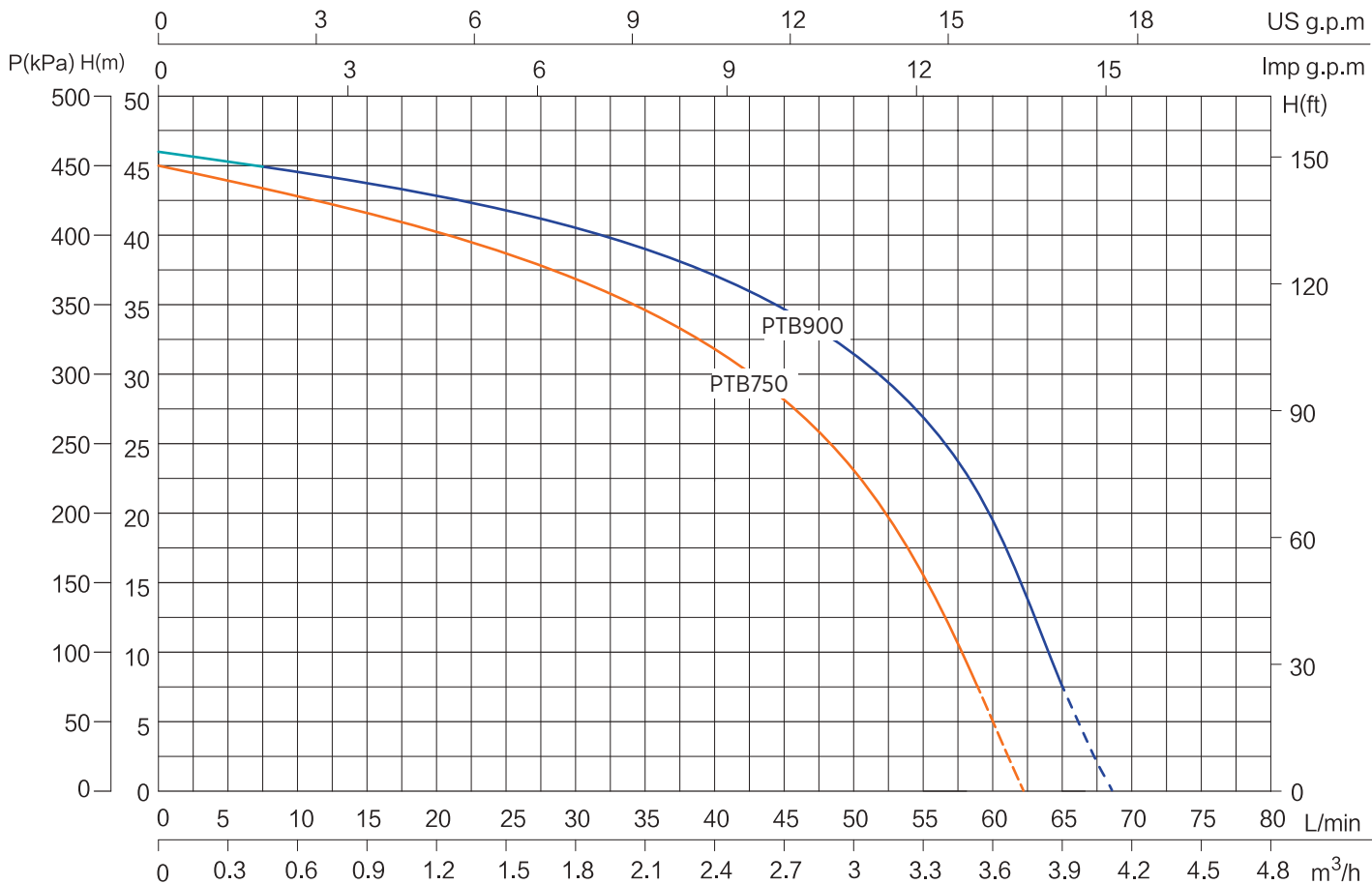
### Basic Configuration

- Connector: PP+GF30
- Intake: rust prevention iron casting
- Pump casing: Aluminum and anti-rust electrophoretic treating
- chamber: 304
- Impeller: PPO
- Shaft: 45#+304
- Mechanical seal ceramics/ graphite/NBR
- Motor: F class asynchronous motor: copper wire, built-in thermal protector, fully enclosed shell, Continuous service S1
- Enclosure class: IPX4
- Insulation grade: F

### Optional Available on Request

- NSK ball bearing
- Water-proof switch

**Performance Curve**

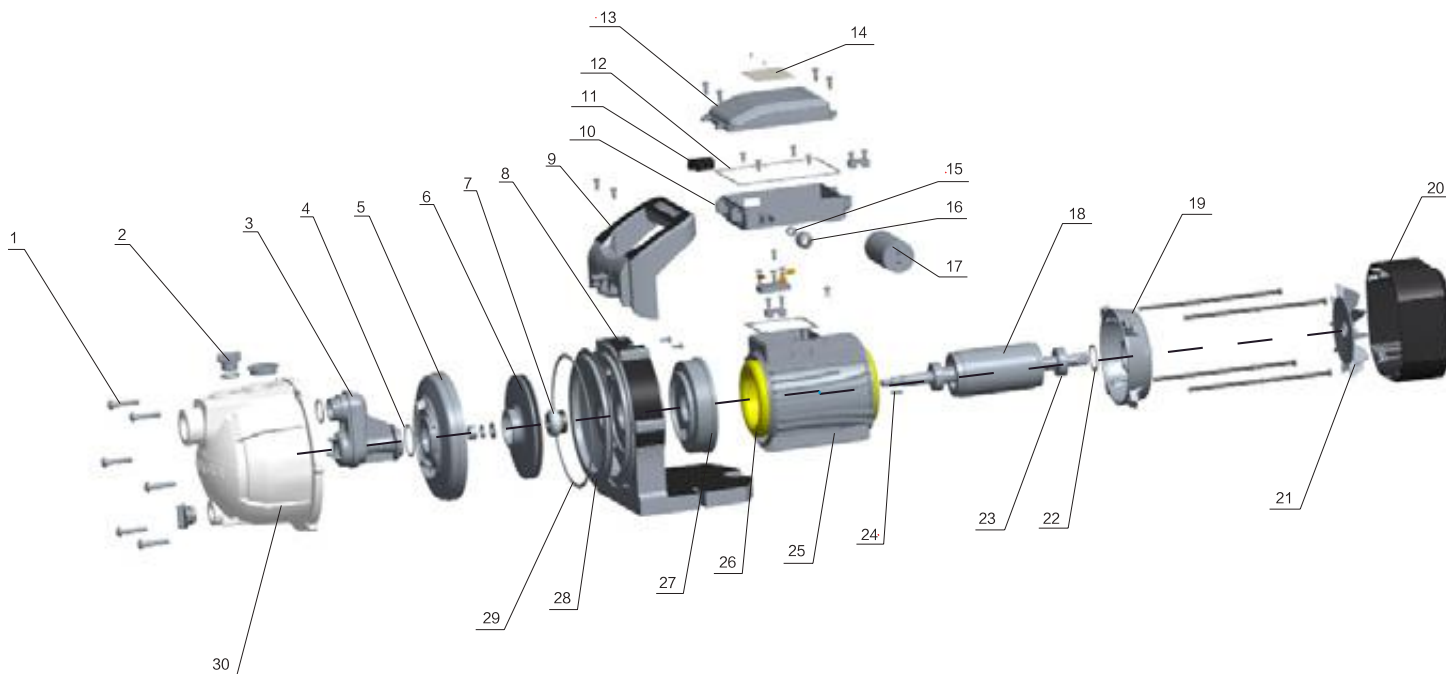


Model	Power		Max. Flow (m <sup>3</sup> /h)	Max. Head (m)	Head Range (m)	Max. Suction (m)
	kW	HP				
PTB750	0.75	1	3.5	45	15	9
PTB900	0.9	1.2	4	46	16	9

Note: The length of cable is 1.3m, Europe plug.



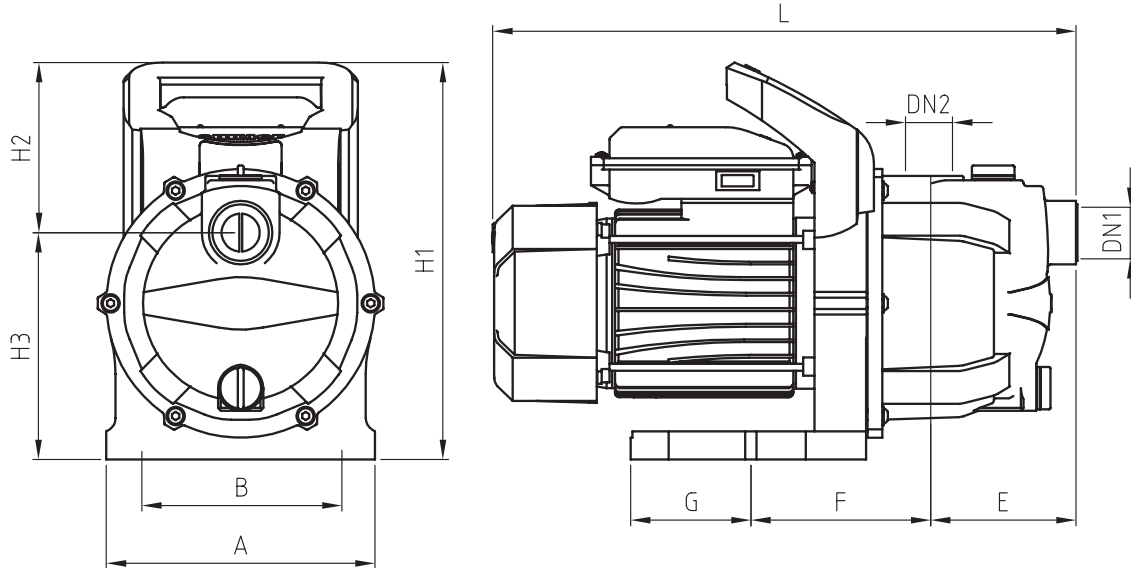
## Components & Materials



No.	Component
1	Internal hexagon cylinder self-tapping screw.
2	Bleed screw
3	Injector
4	O-ring
5	Guide vane
6	The impeller
7	Mechanical seal
8	Connecting fittings
9	Ascension
10	Junction box lower cover
11	The power switch
12	The rubber gasket
13	Junction box above cover
14	Nameplate
15	Cable sheath
16	Junction box nut
17	Capacitance
18	The rotor
19	After the end cover
20	Fan cover
21	Fan
22	Waveform spring
23	Bearing
24	Key
25	Chassis
26	Coil
27	Before the end cover
28	The pump cover
29	O-ring
30	The pump body.

NO.	Model	PTB750	PTB900
23	Capacitor	20 $\mu$ F/450V	25 $\mu$ F/450V
27	End-cover Bearing	6202-2RZ	6202-2RZ
	Coupling Bearing	6202-2RZ	6202-2RZ
	Motor Shaft	304+45#	
21	Mechanical Seal	301-14/21 B:A (P) (Stationary seal ring $\varnothing$ 28)	
		A:Graphite,K:Impregnated resin sintered graphite,W:;Tungsten carbide,B:Alumina ceramics,F:Fluorine rubber,P:NBR,E:Ethylene propylene rubber,T:Plating Manganese steel with chromium,C:Stainless steel(06Cr19Ni10),H:brass	
25	Motor Bracket	Aluminum	
7	Coupling	plastic	
18	Pump Body	Cast Iron	
4	Impeller	plastic	

## Dimensions & Weight



Model	DN1	DN2	Dim.(mm)									N.W. (kg)
	Inch		A	B	E	F	G	L	H1	H2	H3	
PTB750	1	1	190	123.5	103	127	85	401	281	75	160.5	20
PTB900	1	1	190	123.5	103	127	85	401	281	75	160.5	21

## Packing Size & Weight

Model	Dim.(L×W×H) mm	G.W. (kg)	20' Loading Qty. (pcs)
Single-Phase 230V			
PTB750	555×295×610	22	928
PTB900	555×295×610	23	928



**GERMANY**

WITA\* - Wilhelm Taake GmbH  
Böllingshöfen 85, 32549 Bad Oeynhausen

**POLAND**

WITA Sp. z o.o.  
Zielonka, ul. Biznesowa 22, 86-005 Białe Błota

	Model	Dimension (cm)
	VC-19L	27×27×40
	VC-24L	27×27×46

	Model	Dimension (cm)
	VS-23L	33×33×33
	VS-24L	36×36×34

	Model	Dimension (cm)
	HC-24L	31×28×40
	HC-36L	38×36×43
	HC-50L	55×36×38
	HC-60L	48×46×49
	HC-80L	48×46×60
	HC-100L	48×46×68

	Model	Dimension (cm)
	VCF-60L	46×46×65
	VCF-80L	46×46×76
	VCF-100L	46×46×85

	Model	Scale	PCS/CTN	G.W/N.W(kg)	External Packing Size(mm)
	PS-02A	1.4-2.8 bar,2.1-3.5bar, 2.8-4.3bar	50	19/17.5	520×400×220
	PS-02B	1.4-2.8 bar,2.1-3.5bar,2.8-4.3bar, 3.5-5.6bar,4.9-7.2bar	50	17.5/16	460×330×210
	PS-02C	1.4-2.8 bar	50	21/19.5	550×340×230

female/male

	Model	PCS/CTN	G.W/N.W(kg)	External Packing Size(mm)	Material Option	Remark
	Y40:back connection	300	18.5/17.5	455×290×240	Plastic Stainless steel Steel	1.Two connection types:G1/4",M10*1 2.Scale:0-10BAR or 0-6BAR
	Y40:bottom connection	200	13.5/13	340×340×180		
	Y50:back connection	200	15.8/14.8	455×290×260		
	Y50:bottom connection	200	16.5/15.5	455×290×230		

	Model	Voltage	Current	Ambient Temperature
	FLO-1	220V-240V	8A	0-80°C
	FLO-2	220V-240V	8A	0-80°C

Image	Model	Voltage	Frequency	Current	Connections	Protection	External Packing Size (mm)	PCS/CTN	G.W/N.W (kg)	Inner Packing Size (mm)
	PS-01	220V-240V	50/60Hz	10A	1"×1"	IP 65	560×480×360	12	16.5/18.5	225×168×179
		110V-115V								
	PS-01A	220V-240V	50/60Hz	10A	1"×1"	IP 65	530×480×250	12	15/17	152×128×232
		110V-115V								
	PS-01B	220V-240V	50/60Hz	12A	1"×1"	IP 65	540×420×230	20	12/13	150×101×203
		110V-115V								
	PS-01C	220V-240V	50/60Hz	12A	1"×1"	IP 65	520×440×280	12	12/15	247×138×130
		110V-115V								

	Model	Connection	Length	PCS/CTN	G.W/N.W(kg)	Inner Packing Size(mm)
	3-way	1"	80mm	100	17.7/17	475×235×160
	4-way	1"	80mm	110	21.5/20.9	475×235×185
	5-way	1"	80mm	110	19.5/18.7	475×235×185
			90mm	110	21.5/20.9	475×235×200