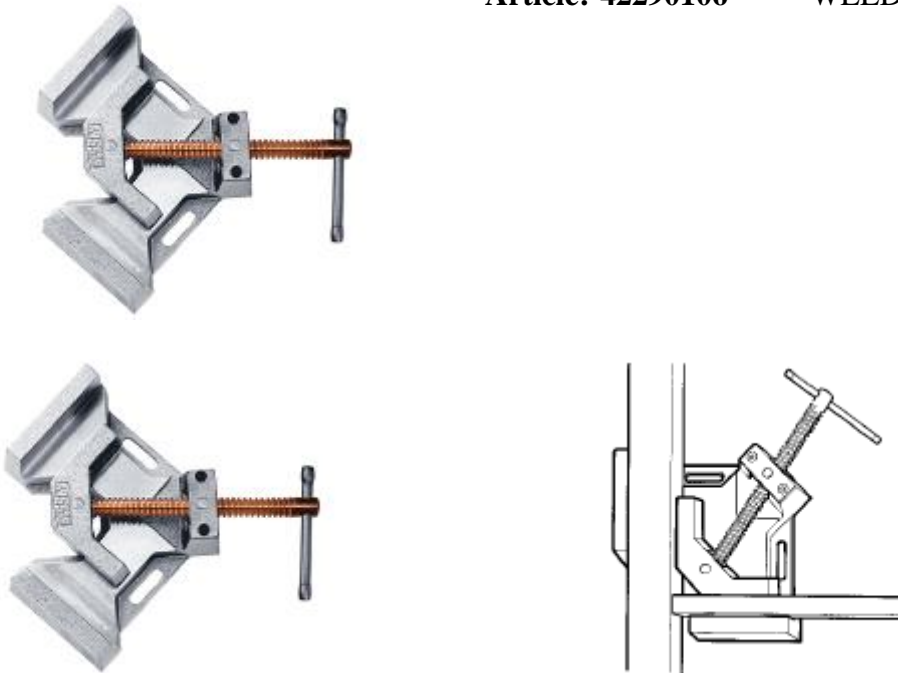




Welding clamp Bessey WSM

Article: 42290106

WELDING CLAMP WSM 9



Bessey Of casting. Galvanized. For clamping of structural steel and pipes etc. in exact 90° angle. Both the shoe and spindle attachment are **flexible**, which enables materials of different dimensions to be clamped.

Code no.	<u>4229-0106</u>	<u>(4229-0205)</u>
Short description	WELDING CLAMP WSM 9	WELDING CLAMP WSM 12
Manufacturer's description	WSM 9	WSM 12
Type	Welding clamp	Welding clamp
Gap depth	35 mm	61 mm
Clamping width	2×90 mm	2×120 mm
Weight	4,5 kg	8,2 kg
Qty/pack	1 PCS	1 PCS
Packaging	1 PCS	1 PCS