

PX20 20S4 1185X555

INTELLIGENT WEIGHING SYSTEM



SCALE TRUCKS GS/P - PX20

The Lifter scale truck series is available in two models, both of which are equipped with an intelligent weighing device with numerous options. It is suitable for lifting and carrying heavy loads; it is therefore very precise and functional in all internal weighing operations.

DISPLAY

The PX20 pallet truck is a simple, economical and robust tool to be used for the weighing of transported loads. Its large-sized LCD display allows for easy reading of weight and the setting of tare simply and immediately.

GS/P 25 INOX

GS/P differs from PX20 due to its hydraulic unit of higher load capacity (2,500 kg) and the bigger number of functions, such as the items counter and the load totalization indicator. The pallet truck may also be equipped with a thermal printer, memory card SD or may be provided in the INOX version.

FRAME STRUCTURE

The structure is made up of a double frame and a lower fork on which a counter fork is placed; both forks house four load cells that allow for a uniform load distribution, thus keeping weighing precision even in case of collision and unbalanced load.

MEMORY CARD SD

GS/P pallet truck is available with printing on SD memory card and certified weighing.



Description

1.1 Manufacturer			LIFTER
1.3 Drive			MANUAL
1.4 Operator type			PEDESTRIAN
1.5 Load capacity	Q	Kg	2000
1.6 Load centre distance	c	mm	600
1.8 Load axle to end forks	x	mm	975
1.9 Wheel base	y	mm	1250

Weights

2.1 Service weight (battery included)		Kg	113
2.2 Axle load, laden rear		Kg	1480
2.2 Axle load, laden front		Kg	633
2.3 Axle load, unladen front		Kg	71
2.3 Axle load, unladen rear		Kg	42

Tyres/Chassis

3.1 Tyres: front wheels			POLY.I./ NYLON
3.1 Tyres: rear wheels			POLY.I.
3.2 Tyre size: Steering wheels - Width		mm	55
3.2 Tyre size: Steering wheels - Diameter		mm	200
3.3 Tyre size: Load rollers - Diameter		mm	82
3.3 Tyre size: Load rollers - Width		mm	60
3.5 Tyre size: rear wheels - Q.ty (X=driven)		nr	4
3.5 Tyre size: front wheels - Q.ty (X=driven)		nr	2
3.5 Rear balancing axle			No
3.6 Tread, front	b10	mm	155
3.7 Tread, rear	b11	mm	375

Dimensions

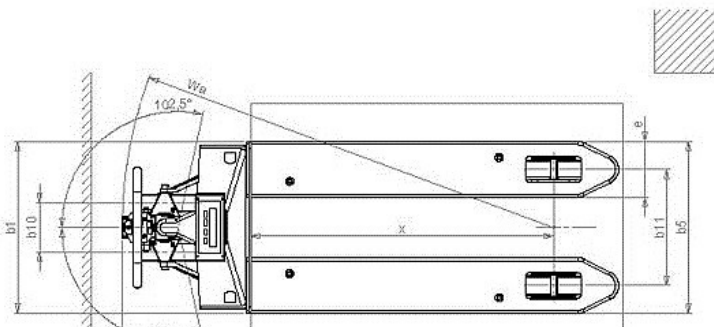
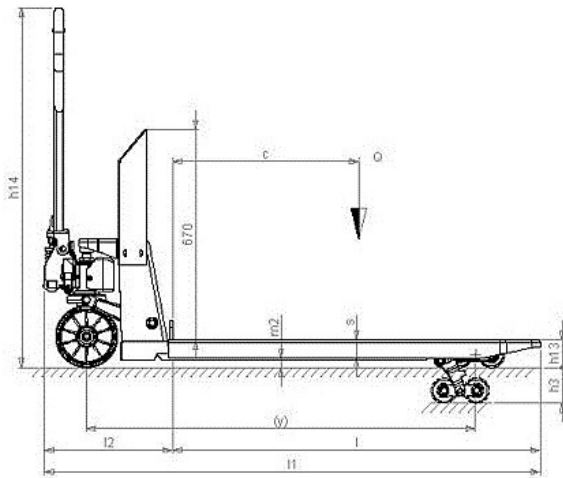
4.4 Lift height	h3	mm	115
4.9 Height of tiller in drive position max	h14	mm	1160
4.9 Height of tiller in drive position min	h14	mm	690
4.15 Height, lowered	h13	mm	90
4.19 Overall length	l1	mm	1596
4.20 Length to face of forks	l2	mm	411
4.21 Overall width	b1	mm	555
4.22 Fork dimensions - Thickness	s	mm	60
4.22 Fork dimensions - Width	e	mm	180
4.22 Fork dimensions - Length	l	mm	1185
4.25 Distance between fork arms	b5	mm	555
4.32 Ground clearance, centre of wheelbase	m2	mm	30
4.34 Aisle width	Ast	mm	1851
4.35 Turning radius	Wa	mm	1426

Performance data

5.2 Lifting speed laden	strokes	13
5.2 Lifting speed unladen	strokes	13
5.3 Lowering speed laden	m/s	0.05
5.3 Lowering speed unladen	m/s	0.02

Scale

Type	DFW-L	
Digits	Q.ty	4
Digit height	mm	25
Kilograms	Yes	
Lbs	Yes	
Tare	Yes	
Auto-off	Yes	
Totalization	No	
Counting	No	
Operating time	h	30
Accuracy	%	0.05
Shear-beam load cells	Q.ty	4
Division	Kg	0.5
6.4 Battery voltage	V	6
6.4 Battery capacity	Ah	1.1



The information is aligned with the Data file at the time of download. Printed on 19/10/2017 (ID 586)

©2017 | PR INDUSTRIAL s.r.l. | All rights reserved | Image shown may not reflect actual package. Specifications subject to change without notice

