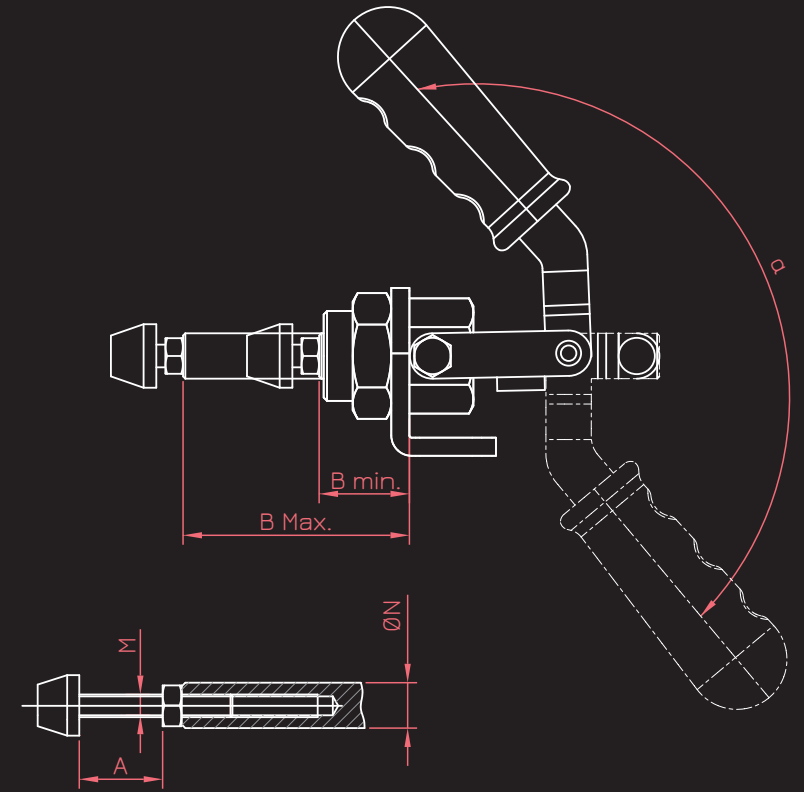


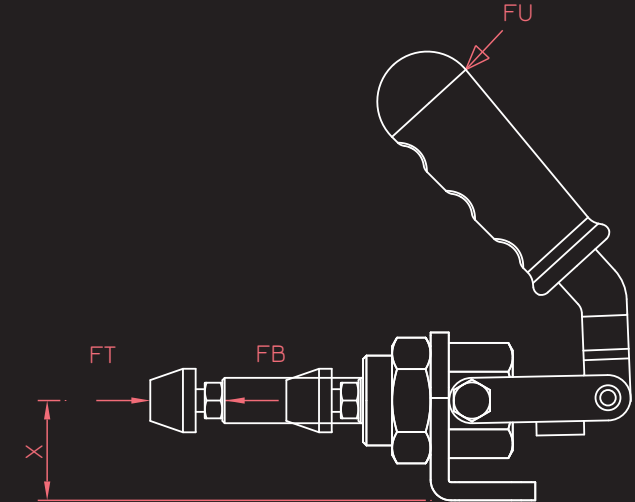
E AÇI ve HAREKET ANALİZİ
ANGLE and MOTION ANALYSIS

Model	Toz Keçeli Rod Sealing Elements	$\alpha^{\circ}(\pm 2^{\circ})$	A min	A max	B min	B max	M	$\emptyset N$
16008 Y	16108 Y	177°	5	30	17	43	M5	$\emptyset 8$
16010 Y	16110 Y	177°	5	40	20	50	M6	$\emptyset 10$
16012 Y	16112 Y	177°	5	50	22	58	M8	$\emptyset 12$
16014 Y	16114 Y	177°	5	60	23	77	M10	$\emptyset 14$
16016 Y	16116 Y	177°	5	60	23	77	M10	$\emptyset 16$



E KUVVET ANALİZİ
FORCE ANALYSIS

Model	Toz Keçeli Rod Sealing Elements	X	FB (N)	FT (N)	FB:FU	AĞIRLIK (Kg) (Weight)
16008 Y	16108 Y	20	825	975	26:1	0,15
16010 Y	16110 Y	22	1650	1850	26:1	0,29
16012 Y	16112 Y	30	2600	2750	36:1	0,55
16014 Y	16114 Y	38	4600	4700	36:1	0,92
16016 Y	16116 Y	38	3550	3750	36:1	1,03



FB: BASKI KUVVETİ (EXERTINGFORCE), FT: TUTMA KAPASİTESİ (HOLDING CAPACITY)
FU:UYGULAMA KUVVETİ (APPLIED FORCE)

Boyutlar ve teknik bilgiler önceden bildirilmeksizin değiştirilebilir.
Dimensions and technical information are subject to change without notice