



BE-8158 - BE-8890

**ERGO™ Hex Bolster Slotted Flat
Screwdrivers with Rubber Grip
5.5-8 mm**



PRODUCT DETAILS









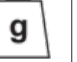
- Screwdriver developed according to the scientific ERGO™ process
- With hexagon bolster for slotted head screws
- Black oxide tip for higher accuracy
- Three-component handle for maximum user comfort, soft material with ridged surface provides superior grip and greater force transmission
- Maximum comfort with minimum effort thanks to an ergonomic design
- Easy to choose the right tip with the colour-coded handle and permanent symbol on the domed end
- Flat face to prevent rolling away
- Size 8.0, 10, 12, 14 mm, in double shape handle for use with both hands for maximum torque power
- Integrated hanging hole
- Hexagon profile blade and bolster for wrench-assisted turning
- High-performance alloy steel blade with chrome plating, entirely hardened for high protection against corrosion, long life tool
- Standards: ISO 2380 and DIN 5264



Follow the Fish!



PRODUCT ATTRIBUTES

| Product |  |  |  |  |  |  |  |  |  |
|----------------|---|---|---|---|---|---|---|---|---|
| BE-8158 | 1.0 mm | 5.5 mm | 125 mm | 5 mm | 9 mm | 27 mm | 122 mm | 247 mm | 75 g |
| BE-8159 | 1.2 mm | 6.5 mm | 150 mm | 6 mm | 11 mm | 36 mm | 122 mm | 272 mm | 125 g |
| BE-8160 | 1.6 mm | 8 mm | 125 mm | 8 mm | 14 mm | 36 mm | 122 mm | 247 mm | 162 g |
| BE-8260 | 1.6 mm | 8 mm | 175 mm | 8 mm | 14 mm | 36 mm | 122 mm | 297 mm | 179 g |
| BE-8865 | 1.6 mm | 8 mm | 175 mm | 8 mm | 14 mm | 36 mm | 161 mm | 336 mm | 209 g |
| BE-8870 | 1.6 mm | 10 mm | 175 mm | 8 mm | 18 mm | 36 mm | 161 mm | 336 mm | 210 g |
| BE-8880 | 2.0 mm | 12 mm | 200 mm | 10 mm | 18 mm | 36 mm | 161 mm | 361 mm | 291 g |
| BE-8890 | 2.5 mm | 14 mm | 200 mm | 10 mm | 18 mm | 36 mm | 161 mm | 361 mm | 293 g |

