



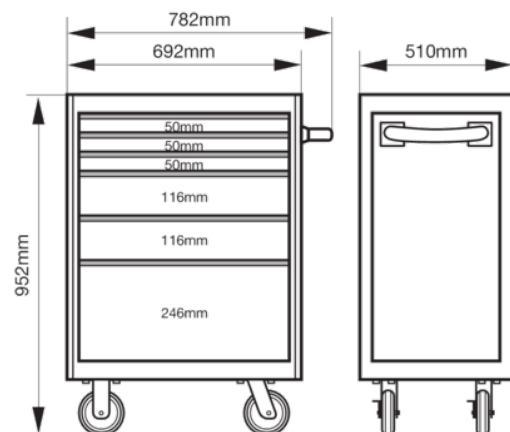
1472K6

26" E72 Storage HUB Tool Trolleys with 6 Drawers



PRODUCT DETAILS

- 6 drawers heavy-duty tool trolley is based on a solid steel dual-walled case construction
- Fully opening drawers equipped with ball-bearing sliders that glide very smoothly and have a capacity up to 30 kg
- Rubber wheels ensure maximum stability, making the trolley easy to manoeuvre, even on irregular surfaces
- Perforated side panels allow end-user add different Xpand accessories
- Strong and secure round locking system protects the tool trolley against theft
- Scratchproof powder coating outside and inside assures a high protection against rust
- Shock protecting corner bumpers minimise the chance of injuries and damage to surrounding objects
- Dual-walled case ensures that the drawers always open after a collision damages the outside wall
- A wide range of Fit&Go ready-to-use foam inlays with tools is available



Follow the Fish!



PRODUCT ATTRIBUTES

| Product |  |  |  |  |  |  |  |  |  | RAL |
|--------------------|---|---|---|---|---|---|---|---|---|------|
| 1472K6 | 952 x 510 x 782 mm | 600 kg | 6 | 445 mm | 543 mm | 30 kg | 125 mm | 30 mm | 68 kg | 2009 |
| 1472K6BLACK | 952 x 510 x 782 mm | 600 kg | 6 | 445 mm | 543 mm | 30 kg | 125 mm | 30 mm | 68 kg | 9005 |
| 1472K6GREY | 952 x 510 x 782 mm | 600 kg | 6 | 445 mm | 543 mm | 30 kg | 125 mm | 30 mm | 68 kg | 9022 |
| 1472K6WHITE | 952 x 510 x 782 mm | 600 kg | 6 | 445 mm | 543 mm | 30 kg | 125 mm | 30 mm | 68 kg | 9003 |
| 1472K6RED | 952 x 510 x 782 mm | 600 kg | 6 | 445 mm | 543 mm | 30 kg | 125 mm | 30 mm | 68 kg | 3001 |
| 1472K6BLUE | 952 x 510 x 782 mm | 600 kg | 6 | 445 mm | 543 mm | 30 kg | 125 mm | 30 mm | 68 kg | 5002 |

