



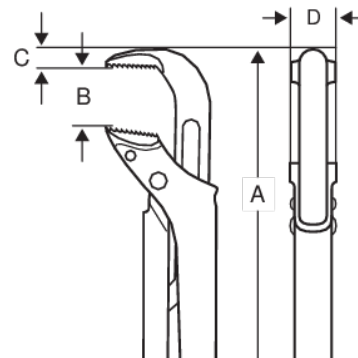
140-147

Swedish Model 90° Pipe Wrenches



PRODUCT DETAILS



- True ergonomic design for optimal comfort and increased productivity
- Slim design of the head allows excellent accessibility in confined spaces compared to many other types of pipe wrenches
- Gripping capacity up to 127 mm (5") and a jaw opening up to 160 mm (6 1/3)
- Patented progressive teeth for better grip
- Anti-rust treated high-alloy steel with induction hardened teeth
- The nut can be blocked in the desired position with the adjustment screw. Safety stop prevents threading-off
- DIN 5234



Follow the Fish!



PRODUCT ATTRIBUTES

| Product | A | B | C | D |  |  |
|------------|----------|----------|----------|----------|---|---|
| 140 | 210 mm | 33 mm | 9.3 mm | 15.7 mm | 3/4 in | 375 g |
| 141 | 320 mm | 45 mm | 11.7 mm | 18.8 mm | 1 in | 575 g |
| 142 | 426 mm | 65 mm | 14,87 mm | 20.8 mm | 1 1/2 in | 1150 g |
| 143 | 557 mm | 90 mm | 19.8 mm | 26.7 mm | 2 1/2 in | 2865 g |
| 144 | 722 mm | 110 mm | 24.9 mm | 33.7 mm | 3 1/2 in | 5390 g |
| 147 | 1060 mm | 160 mm | 38 mm | 35 mm | 5 in | 7210 g |

Follow the Fish!

