



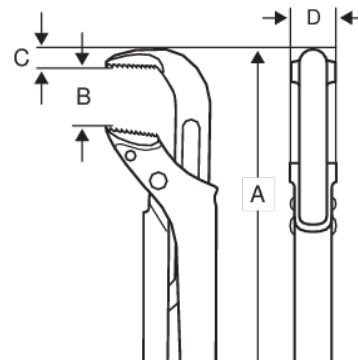
140-147

Swedish Model 90° Pipe Wrenches



PRODUCT DETAILS



- True ergonomic design for optimal comfort and increased productivity
- Slim design of the head allows excellent accessibility in confined spaces compared to many other types of pipe wrenches
- Gripping capacity up to 127 mm (5") and a jaw opening up to 160 mm (6 1/3)
- Patented progressive teeth for better grip
- Anti-rust treated high-alloy steel with induction hardened teeth
- The nut can be blocked in the desired position with the adjustment screw. Safety stop prevents threading-off
- DIN 5234



Follow the Fish!



PRODUCT ATTRIBUTES

Product	A	B	C	D		
140	210 mm	33 mm	9.3 mm	15.7 mm	3/4 in	375 g
141	320 mm	45 mm	11.7 mm	18.8 mm	1 in	575 g
142	426 mm	65 mm	14,87 mm	20.8 mm	1 1/2 in	1150 g
143	557 mm	90 mm	19.8 mm	26.7 mm	2 1/2 in	2865 g
144	722 mm	110 mm	24.9 mm	33.7 mm	3 1/2 in	5390 g
147	1060 mm	160 mm	38 mm	35 mm	5 in	7210 g

Follow the Fish!

